

Product information presented here reflects conditions at time of publication. Consult factory regarding discrepancies or inconsistencies.

MAIL TO: P.O. BOX 16347 • Louisville, KY 40256-0347
SHIP TO: 3649 Cane Run Road • Louisville, KY 40211-1961
TEL: (502) 778-2731 • 1 (800) 928-PUMP • FAX: (502) 774-3624

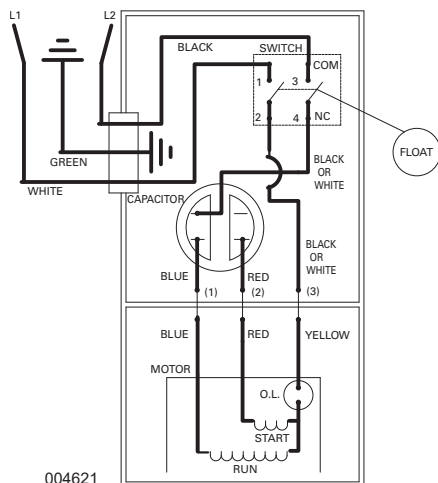
Visit our website:
zoellerpumps.com

REPLACEMENT PARTS LIST FOR MODELS:

PERMANENT SPLIT CAPACITOR MOTOR DESIGN
FOR SPLIT PHASE MOTOR DESIGN
(SEE PAGE 5)

M267 AUTOMATIC 115V
D267 AUTOMATIC 230V
N267 NONAUTOMATIC 115V
E267 NONAUTOMATIC 230V

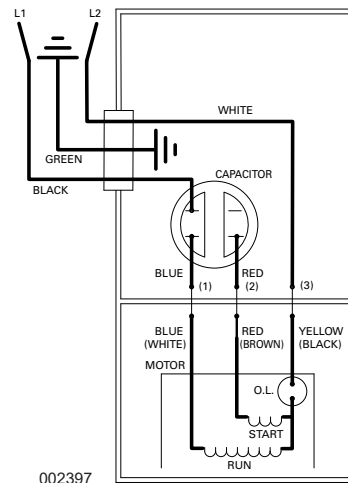
H267 AUTOMATIC 200V/1PH
I267 NONAUTOMATIC 200V/1PH
J267 NONAUTOMATIC 200V/3PH
F267 NONAUTOMATIC 230V/3PH
G267 NONAUTOMATIC 460V/3PH



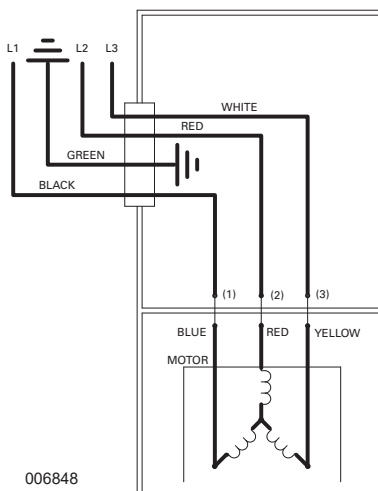
004621
WIRING DIAGRAM FOR MODELS
"M267", "D267", and "H267"

TO ORDER REPLACEMENT PARTS
PLEASE FURNISH THE FOLLOWING INFORMATION:

- Model number
- Part number of pump
- Part number and description of part



002397
WIRING DIAGRAM FOR MODELS
"N267", "E267", and "I267"



006848
WIRING DIAGRAM FOR MODELS
"J267", "F267", and "G267"

REPLACEMENT PARTS LIST FOR MODELS "M267" & "N267"

See page 6 for illustration.

| REF NO. | DESCRIPTION | QTY | NOTES | MODELS: | | | |
|---------|--|-----|-------|----------------------------------|------------------------------------|----------------------------------|------------------------------------|
| | | | | M267-G 05/18 thru 05/20 | M267-H 06/20 thru Current | N267-G 05/18 thru 05/20 | N267-H 06/20 thru Current |
| 1 | CASE ASSEMBLY - AUTOMATIC | 1 | 3 | 004739 | 004739 | N/A | N/A |
| | COVER ASSEMBLY - NON-AUTOMATIC | | 3 | N/A | N/A | 267051 | 267051 |
| 2 | • HANDLE | 1 | | 267032 | 267032 | 267032 | 267032 |
| 3 | CASE MACH. & GASKET - AUTOMATIC | 1 | 3 | 155781 | 155781 | N/A | N/A |
| | COVER MACH. & GASKET - NON-AUTOMATIC | | 3 | N/A | N/A | 267052 | 267052 |
| 4 | • RETAINER - NON-AUTOMATIC | 2 | 3 | N/A | N/A | 267053 | 267053 |
| 5 | • GUARD - AUTOMATIC | 1 | 3 | 267008 | 267008 | N/A | N/A |
| 6 | • GASKET - CASE/COVER | 1 | | 267007 | 267007 | 267007 | 267007 |
| 7 | • ARM AND SEAL ASSEMBLY | 1 | 3 | 004741 | 004741 | N/A | N/A |
| 8 | SWITCH ASSEMBLY | 1 | 3 | 004740 | 004740 | N/A | N/A |
| 9 | CAPACITOR ASSEMBLY | 1 | | 155782 | 156952 | 155782 | 156952 |
| 10 | • WIRE PACKAGE | 1 | | 155783 | 155783 | 155783 | 155783 |
| 11 | • CORD SEAL AND STRAIN RELIEF ASSEMBLY | 1 | 4 | 155784 | 155784 | 155784 | 155784 |
| 12 | CORD ASSEMBLY - STANDARD | 1 | | 010925 | 010925 | 155785 | 155785 |
| 13 | MOTOR HOUSING ASSEMBLY | 1 | | 155786 | 156489 | 155786 | 156489 |
| 14 | STATOR WITH SCREWS | 1 | | 155787 | 156490 | 155787 | 156490 |
| 15 | • THRU WALL TERMINALS | 3 | | 003402 | 003402 | 003402 | 003402 |
| 16 | • TEST PLUGS | 2 | | 034090 | 034090 | 034090 | 034090 |
| 17 | ROTOR ASSEMBLY | 1 | | 155788 | 156955 | 155788 | 156955 |
| 18 | • THRUST WASHER | 1 | | 002140 | 002140 | 002140 | 002140 |
| 19 | • DIELECTRIC OIL | 1 | | 267056 | 267056 | 267056 | 267056 |
| 20 | • MOTOR HOUSING SEAL | 1 | | 267006 | 267006 | 267006 | 267006 |
| 21 | PUMP HOUSING - MACH. | 1 | | 003877 | 003877 | 003877 | 003877 |
| 22 | • SHAFT SEAL ASSEMBLY | 1 | | 267027 | 267027 | 267027 | 267027 |
| 23 | IMPELLER - PLASTIC | 1 | | 150857 | 150857 | 150857 | 150857 |
| | IMPELLER - CAST IRON | 1 | | 003884 | 003884 | 003884 | 003884 |
| 24 | BASE | 1 | | 008646 | 008646 | 008646 | 008646 |
| 25 | FLOAT | 1 | 3 | 034019 | 034019 | N/A | N/A |
| 26 | FLOAT ROD | 1 | 3 | 001526 | 001526 | N/A | N/A |
| 27 | FLOAT ROD GUIDE ASSEMBLY | 1 | 3 | 004676 | 004676 | N/A | N/A |
| 28 | • SCREW - CASE & BASE (1/4-20 X 3/4" LONG) | 9 | | 001916 | 001916 | 001916 | 001916 |
| 29 | • SCREW - SWITCH (#6-32 X 7/16" LONG) | 2 | 3 | 004644 | 004644 | N/A | N/A |
| 30 | • SCREW - GROUND & CAPACITOR (#6-32 X 1/4" LONG) | 1 | | 001877 | 001877 | 001877 | 001877 |
| 31 | • SCREW - MOTOR HOUSING (1/4-20 X 7/8" LONG) | 4 | | 012491 | 012491 | 012491 | 012491 |
| 32 | • SCREW - STATOR (#8-32 X 3 1/16" LONG) | 2 | | 154768 | 154768 | 154768 | 154768 |
| 33 | • SCREW - GUARD & RETAINERS/GUIDE (#10-24 X 3/8" LONG) | 3 | | 001883 | 001883 | 001883 | 001883 |
| 34 | NUT,5/16-24UNF SS ACORN/LOW CROWN | 1 | 3 | N/A | N/A | N/A | N/A |
| ☐ | REBUILD KIT | 1 | | 155789 | 155789 | 155789 | 155789 |

• Items included in Rebuild Kit.

☐ Not shown in illustration.

Service part notes:

- 1) If an "X" follows model no., or date mfg. on ID tag, consult factory for ordering any parts.
- 2) See FM0160 Parts Price Sheet for listing of part prices.
- 3) "N/A" indicates not applicable.
- 4) Strain relief clamp is not sold separately, must order cord seal assembly.
- 5) Cut plug off if required.

REPLACEMENT PARTS LIST FOR MODELS "D267" & "E267"

See page 6 for illustration.

| REF NO. | | DESCRIPTION | QTY | NOTES | MODELS: | | | |
|---------|---|--|-----|-------|----------------------------------|----------------------------|----------------------------------|------------------------------------|
| | | | | | D267-G 01/19 thru 05/20 | D267-H 06/20 Current | E267-G 01/19 thru 05/20 | E267-H 06/20 thru Current |
| 1 | | CASE ASSEMBLY - AUTOMATIC | 1 | 3 | 004739 | 004739 | N/A | N/A |
| | | COVER ASSEMBLY - NON-AUTOMATIC | | 3 | N/A | N/A | 267051 | 267051 |
| 2 | • | HANDLE | 1 | | 267032 | 267032 | 267032 | 267032 |
| 3 | | CASE MACH. & GASKET - AUTOMATIC | 1 | 3 | 155781 | 155781 | N/A | N/A |
| | | COVER MACH. & GASKET - NON-AUTOMATIC | | 3 | N/A | N/A | 267052 | 267052 |
| 4 | • | RETAINER - NON-AUTOMATIC | 2 | 3 | N/A | N/A | 267053 | 267053 |
| 5 | • | GUARD - AUTOMATIC | 1 | 3 | 267008 | 267008 | N/A | N/A |
| 6 | • | GASKET - CASE/COVER | 1 | | 267007 | 267007 | 267007 | 267007 |
| 7 | • | ARM AND SEAL ASSEMBLY | 1 | 3 | 004741 | 004741 | N/A | N/A |
| 8 | | SWITCH ASSEMBLY | 1 | 3 | 004740 | 004740 | N/A | N/A |
| 9 | | CAPACITOR ASSEMBLY | 1 | | 155782 | 156952 | 155782 | 156952 |
| 10 | • | WIRE PACKAGE | 1 | | 155783 | 155783 | 155783 | 155783 |
| 11 | • | CORD SEAL AND STRAIN RELIEF ASSEMBLY | 1 | 4 | 155784 | 155784 | 155784 | 155784 |
| 12 | | CORD ASSEMBLY - STANDARD | 1 | | 010926 | 010926 | 155962 | 155962 |
| 13 | | MOTOR HOUSING ASSEMBLY | 1 | | 155786 | 156489 | 155786 | 156489 |
| 14 | | STATOR WITH SCREWS | 1 | | 155961 | 156491 | 155961 | 156491 |
| 15 | • | THRU WALL TERMINALS | 3 | | 003402 | 003402 | 003402 | 003402 |
| 16 | • | TEST PLUGS | 2 | | 034090 | 034090 | 034090 | 034090 |
| 17 | | ROTOR ASSEMBLY | 1 | | 155788 | 156955 | 155788 | 156955 |
| 18 | • | THRUST WASHER | 1 | | 002140 | 002140 | 002140 | 002140 |
| 19 | • | DIELECTRIC OIL | 1 | | 267056 | 267056 | 267056 | 267056 |
| 20 | • | MOTOR HOUSING SEAL | 1 | | 267006 | 267006 | 267006 | 267006 |
| 21 | | PUMP HOUSING - MACH. | 1 | | 003877 | 003877 | 003877 | 003877 |
| 22 | • | SHAFT SEAL ASSEMBLY | 1 | | 267027 | 267027 | 267027 | 267027 |
| 23 | | IMPELLER - PLASTIC | 1 | | 150857 | 150857 | 150857 | 150857 |
| | | IMPELLER - CAST IRON | 1 | | 003884 | 003884 | 003884 | 003884 |
| 24 | | BASE | 1 | | 008646 | 008646 | 008646 | 008646 |
| 25 | | FLOAT | 1 | 3 | 034019 | 034019 | N/A | N/A |
| 26 | | FLOAT ROD | 1 | 3 | 001526 | 001526 | N/A | N/A |
| 27 | | FLOAT ROD GUIDE ASSEMBLY | 1 | 3 | 004676 | 004676 | N/A | N/A |
| 28 | • | SCREW - CASE & BASE (1/4-20 X 3/4" LONG) | 9 | | 001916 | 001916 | 001916 | 001916 |
| 29 | • | SCREW - SWITCH (#6-32 X 7/16" LONG) | 2 | 3 | 004644 | 004644 | N/A | N/A |
| 30 | • | SCREW - GROUND & CAPACITOR (#6-32 X 1/4" LONG) | 1 | | 001877 | 001877 | 001877 | 001877 |
| 31 | • | SCREW - MOTOR HOUSING (1/4-20 X 7/8" LONG) | 4 | | 012491 | 012491 | 012491 | 012491 |
| 32 | • | SCREW - STATOR (#8-32 X 3 1/16" LONG) | 2 | | 154768 | 154768 | 154768 | 154768 |
| 33 | • | SCREW - GUARD & RETAINERS/GUIDE (#10-24 X 3/8" LONG) | 3 | | 001883 | 001883 | 001883 | 001883 |
| 34 | | NUT,5/16-24UNF SS ACORN/LOW CROWN | 1 | 3 | N/A | N/A | N/A | N/A |
| ☐ | | REBUILD KIT | 1 | | 155789 | 155789 | 155789 | 155789 |

• Items included in Rebuild Kit.

☐ Not shown in illustration.

Service part notes:

- 1) If an "X" follows model no., or date mfg. on ID tag, consult factory for ordering any parts.
- 2) See FM0160 Parts Price Sheet for listing of part prices.
- 3) "N/A" indicates not applicable.
- 4) Strain relief clamp is not sold separately, must order cord seal assembly.
- 5) Cut plug off if required.

REPLACEMENT PARTS LIST FOR MODELS "H267" & "I267"

See page 6 for illustration.

| REF NO. | DESCRIPTION | QTY | NOTES | MODELS: | | | |
|---------|--|-----|-------|----------------------------------|------------------------------------|----------------------------------|------------------------------------|
| | | | | H267-G 02/19 thru 05/20 | H267-H 06/20 thru Current | I267-G 02/19 thru 05/20 | I267-H 06/20 thru Current |
| 1 | CASE ASSEMBLY - AUTOMATIC | 1 | 3 | 004739 | 004739 | N/A | N/A |
| | COVER ASSEMBLY - NON-AUTOMATIC | | 3 | N/A | N/A | 267051 | 267051 |
| 2 | • HANDLE | 1 | | 267032 | 267032 | 267032 | 267032 |
| 3 | CASE MACH. & GASKET - AUTOMATIC | 1 | 3 | 155781 | 155781 | N/A | N/A |
| | COVER MACH. & GASKET - NON-AUTOMATIC | | 3 | N/A | N/A | 267052 | 267052 |
| 4 | • RETAINER - NON-AUTOMATIC | 2 | 3 | N/A | N/A | 267053 | 267053 |
| 5 | • GUARD - AUTOMATIC | 1 | 3 | 267008 | 267008 | N/A | N/A |
| 6 | • GASKET - CASE/COVER | 1 | | 267007 | 267007 | 267007 | 267007 |
| 7 | • ARM AND SEAL ASSEMBLY | 1 | 3 | 004741 | 004741 | N/A | N/A |
| 8 | SWITCH ASSEMBLY | 1 | 3 | 004740 | 004740 | N/A | N/A |
| 9 | CAPACITOR ASSEMBLY | 1 | | 155782 | 156952 | 155782 | 156952 |
| 10 | • WIRE PACKAGE | 1 | | 155783 | 155783 | 155783 | 155783 |
| 11 | • CORD SEAL AND STRAIN RELIEF ASSEMBLY | 1 | 4 | 155784 | 155784 | 155784 | 155784 |
| 12 | CORD ASSEMBLY - 1 PHASE - 3 WIRE NO PLUG | 1 | 5 | 156032 | 156032 | 156033 | 156033 |
| 13 | MOTOR HOUSING ASSEMBLY | 1 | | 155786 | 156489 | 155786 | 156489 |
| 14 | STATOR WITH SCREWS | 1 | | 156034 | 156959 | 156034 | 156959 |
| 15 | • THRU WALL TERMINALS | 3 | | 003402 | 003402 | 003402 | 003402 |
| 16 | • TEST PLUGS | 2 | | 034090 | 034090 | 034090 | 034090 |
| 17 | ROTOR ASSEMBLY | 1 | | 155788 | 156955 | 155788 | 156955 |
| 18 | • THRUST WASHER | 1 | | 002140 | 002140 | 002140 | 002140 |
| 19 | • DIELECTRIC OIL | 1 | | 267056 | 267056 | 267056 | 267056 |
| 20 | • MOTOR HOUSING SEAL | 1 | | 267006 | 267006 | 267006 | 267006 |
| 21 | PUMP HOUSING - MACH. | 1 | | 003877 | 003877 | 003877 | 003877 |
| 22 | • SHAFT SEAL ASSEMBLY | 1 | | 267027 | 267027 | 267027 | 267027 |
| 23 | IMPELLER - PLASTIC | 1 | | 150857 | 150857 | 150857 | 150857 |
| | IMPELLER - CAST IRON | 1 | | 003884 | 003884 | 003884 | 003884 |
| 24 | BASE | 1 | | 008646 | 008646 | 008646 | 008646 |
| 25 | FLOAT | 1 | 3 | 034019 | 034019 | N/A | N/A |
| 26 | FLOAT ROD | 1 | 3 | 001526 | 001526 | N/A | N/A |
| 27 | FLOAT ROD GUIDE ASSEMBLY | 1 | 3 | 004676 | 004676 | N/A | N/A |
| 28 | • SCREW - CASE & BASE (1/4-20 X 3/4" LONG) | 9 | | 001916 | 001916 | 001916 | 001916 |
| 29 | • SCREW - SWITCH (#6-32 X 7/16" LONG) | 2 | 3 | 004644 | 004644 | N/A | N/A |
| 30 | • SCREW - GROUND & CAPACITOR (#6-32 X 1/4" LONG) | 1 | | 001877 | 001877 | 001877 | 001877 |
| 31 | • SCREW - MOTOR HOUSING (1/4-20 X 7/8" LONG) | 4 | | 012491 | 012491 | 012491 | 012491 |
| 32 | • SCREW - STATOR (#8-32 X 3 1/16" LONG) | 2 | | 154768 | 154768 | 154768 | 154768 |
| 33 | • SCREW - GUARD & RETAINERS/GUIDE (#10-24 X 3/8" LONG) | 3 | | 001883 | 001883 | 001883 | 001883 |
| 34 | NUT,5/16-24UNF SS ACORN/LOW CROWN | 1 | 3 | N/A | N/A | N/A | N/A |
| ☐ | REBUILD KIT | 1 | | 155789 | 155789 | 155789 | 155789 |

• Items included in Rebuild Kit.

☐ Not shown in illustration.

Service part notes:

- 1) If an "X" follows model no., or date mfg. on ID tag, consult factory for ordering any parts.
- 2) See FM0160 Parts Price Sheet for listing of part prices.
- 3) "N/A" indicates not applicable.
- 4) Strain relief clamp is not sold separately, must order cord seal assembly.
- 5) Cut plug off if required.

REPLACEMENT PARTS LIST FOR MODELS "J267", "F267" & "I267"

See page 6 for illustration.

| REF NO. | DESCRIPTION | QTY | NOTES | MODELS: | | | | | |
|---------|--|-----|-------|----------------------------------|------------------------------------|----------------------------------|------------------------------------|----------------------------------|------------------------------------|
| | | | | J267-F 01/19 thru 08/20 | J267-G 09/20 thru Current | F267-F 01/19 thru 08/20 | F267-G 09/20 thru Current | G267-G 02/19 thru 08/20 | G267-H 09/20 thru Current |
| 1 | CASE ASSEMBLY - AUTOMATIC | 1 | 3 | N/A | N/A | N/A | N/A | N/A | N/A |
| | COVER ASSEMBLY - NON-AUTOMATIC | | | 267051 | 267051 | 267051 | 267051 | 267051 | 267051 |
| 2 | • HANDLE | 1 | | 267032 | 267032 | 267032 | 267032 | 267032 | 267032 |
| 3 | CASE MACH. & GASKET - AUTOMATIC | 1 | 3 | N/A | N/A | N/A | N/A | N/A | N/A |
| | COVER MACH. & GASKET - NON-AUTOMATIC | | | 267052 | 267052 | 267052 | 267052 | 267052 | 267052 |
| 4 | • RETAINER - NON-AUTOMATIC | 2 | | 267053 | 267053 | 267053 | 267053 | 267053 | 267053 |
| 5 | • GUARD - AUTOMATIC | 1 | 3 | N/A | N/A | N/A | N/A | N/A | N/A |
| 6 | • GASKET - CASE/COVER | 1 | | 267007 | 267007 | 267007 | 267007 | 267007 | 267007 |
| 7 | • ARM AND SEAL ASSEMBLY | 1 | 3 | N/A | N/A | N/A | N/A | N/A | N/A |
| 8 | SWITCH ASSEMBLY | 1 | 3 | N/A | N/A | N/A | N/A | N/A | N/A |
| 9 | CAPACITOR ASSEMBLY | 1 | 3 | N/A | N/A | N/A | N/A | N/A | N/A |
| 10 | • WIRE PACKAGE | 1 | 3 | N/A | N/A | N/A | N/A | N/A | N/A |
| 11 | • CORD SEAL AND STRAIN RELIEF ASSEMBLY | 1 | 4 | 155784 | 155784 | 155784 | 155784 | 155784 | 155784 |
| 12 | CORD ASSEMBLY - 3 PHASE - 4 WIRE NO PLUG | 1 | 5 | 003761 | 003761 | 003761 | 003761 | 003761 | 003761 |
| 13 | MOTOR HOUSING ASSEMBLY | 1 | | 155786 | 156489 | 155786 | 156489 | 155786 | 156489 |
| 14 | STATOR WITH SCREWS | 1 | | 156035 | 156960 | 156036 | 156962 | 156037 | 156966 |
| 15 | • THRU WALL TERMINALS | 3 | | 003402 | 003402 | 003402 | 003402 | 003402 | 003402 |
| 16 | • TEST PLUGS | 2 | | 034090 | 034090 | 034090 | 034090 | 034090 | 034090 |
| 17 | ROTOR ASSEMBLY | 1 | | 156038 | 156961 | 156038 | 156961 | 156038 | 156961 |
| 18 | • THRUST WASHER | 1 | | 002140 | 002140 | 002140 | 002140 | 002140 | 002140 |
| 19 | • DIELECTRIC OIL | 1 | | 267056 | 267056 | 267056 | 267056 | 267056 | 267056 |
| 20 | • MOTOR HOUSING SEAL | 1 | | 267006 | 267006 | 267006 | 267006 | 267006 | 267006 |
| 21 | PUMP HOUSING - MACH. | 1 | | 003877 | 003877 | 003877 | 003877 | 003877 | 003877 |
| 22 | • SHAFT SEAL ASSEMBLY | 1 | | 267027 | 267027 | 267027 | 267027 | 267027 | 267027 |
| 23 | IMPELLER - PLASTIC | 1 | 3 | N/A | N/A | N/A | N/A | N/A | N/A |
| | IMPELLER - CAST IRON | 1 | | 009884 | 009884 | 009884 | 009884 | 009884 | 009884 |
| 24 | BASE | 1 | | 008646 | 008646 | 008646 | 008646 | 008646 | 008646 |
| 25 | FLOAT | 1 | 3 | N/A | N/A | N/A | N/A | N/A | N/A |
| 26 | FLOAT ROD | 1 | 3 | N/A | N/A | N/A | N/A | N/A | N/A |
| 27 | FLOAT ROD GUIDE ASSEMBLY | 1 | 3 | N/A | N/A | N/A | N/A | N/A | N/A |
| 28 | • SCREW - CASE & BASE (1/4-20 X 3/4" LONG) | 9 | | 001916 | 001916 | 001916 | 001916 | 001916 | 001916 |
| 29 | • SCREW - SWITCH (#6-32 X 7/16" LONG) | 2 | 3 | N/A | N/A | N/A | N/A | N/A | N/A |
| 30 | • SCREW - GROUND & CAPACITOR (#6-32 X 1/4" LONG) | 1 | | 001877 | 001877 | 001877 | 001877 | 001877 | 001877 |
| 31 | • SCREW - MOTOR HOUSING (1/4-20 X 7/8" LONG) | 4 | | 012491 | 012491 | 012491 | 012491 | 012491 | 012491 |
| 32 | • SCREW - STATOR (#8-32 X 3 1/16" LONG) | 2 | | 154768 | 154768 | 154768 | 154768 | 154768 | 154768 |
| 33 | • SCREW - GUARD & RETAINERS/GUIDE (#10-24 X 3/8" LONG) | 3 | | 001883 | 001883 | 001883 | 001883 | 001883 | 001883 |
| 34 | NUT, 5/16-24UNF SS ACORN/LOW CROWN | 1 | 3 | 004348 | 004348 | 004348 | 004348 | 004348 | 004348 |
| □ | REBUILD KIT | 1 | | 155789 | 155789 | 155789 | 155789 | 155789 | 155789 |

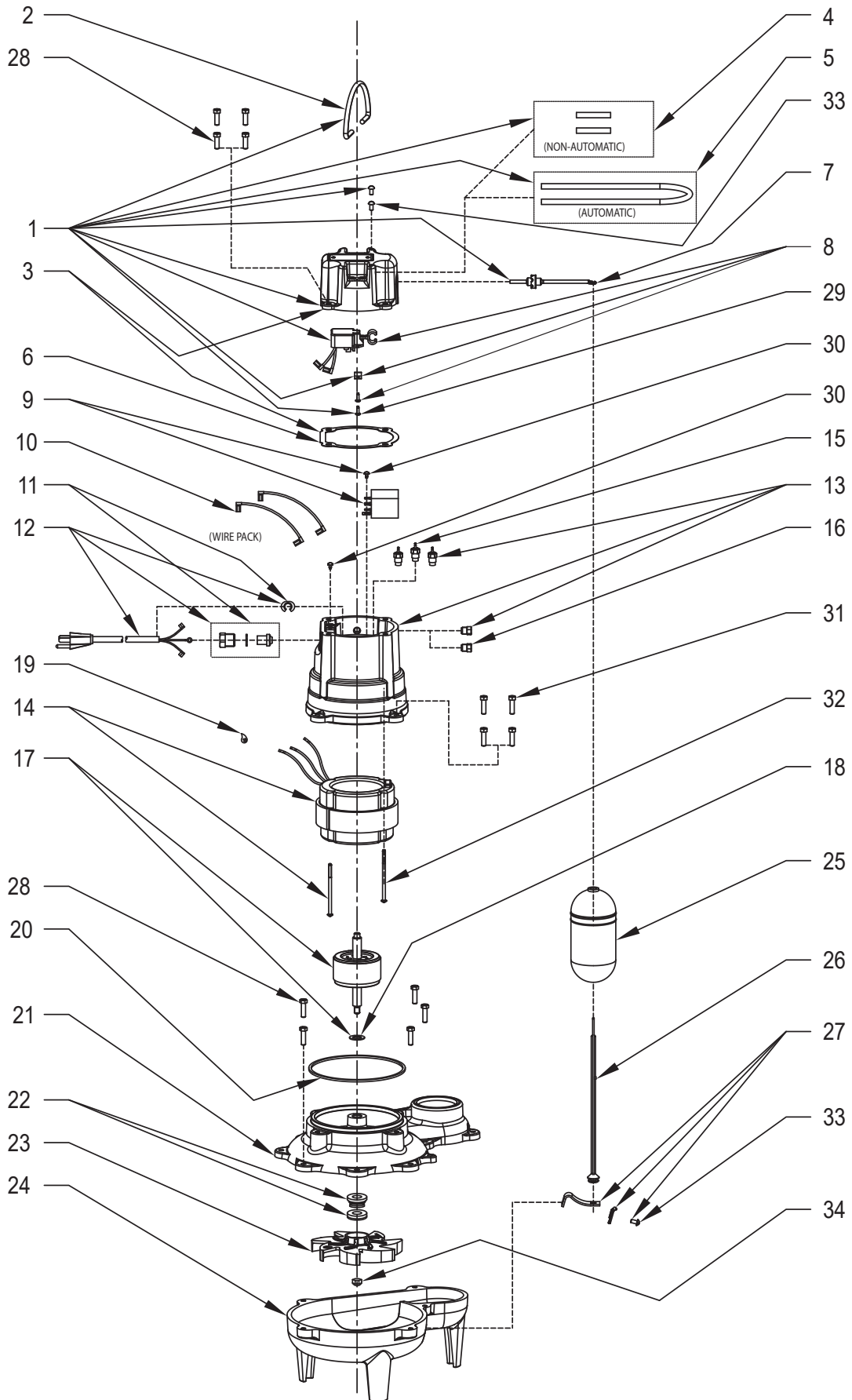
• Items included in Rebuild Kit.

□ Not shown in illustration.

Service part notes:

- 1) If an "X" follows model no., or date mfg. on ID tag, consult factory for ordering any parts.
- 2) See FM0160 Parts Price Sheet for listing of part prices.
- 3) "N/A" indicates not applicable.
- 4) Strain relief clamp is not sold separately, must order cord seal assembly.
- 5) Cut plug off if required.

REPLACEMENT PARTS ILLUSTRATION FOR ALL MODELS



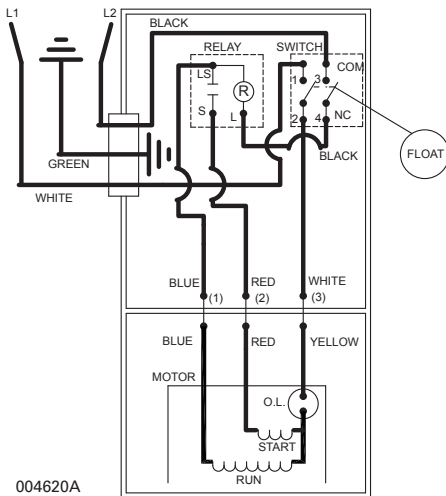
SK3198

REPLACEMENT PARTS LIST FOR MODELS:

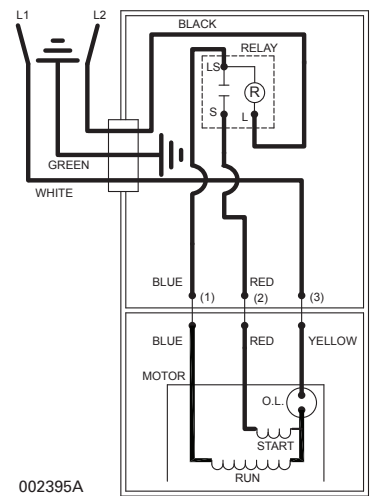
SPLIT PHASE MOTOR DESIGN

M267 AUTOMATIC 115V
D267 AUTOMATIC 230V
N267 NONAUTOMATIC 115V
E267 NONAUTOMATIC 230V
**WM267 AUTOMATIC w/wired
float switch 115V**

H267 AUTOMATIC 200V/1PH
I267 NONAUTOMATIC 200V/1PH
J267 NONAUTOMATIC 200V/3PH
F267 NONAUTOMATIC 230V/3PH
G267 NONAUTOMATIC 460V/3PH



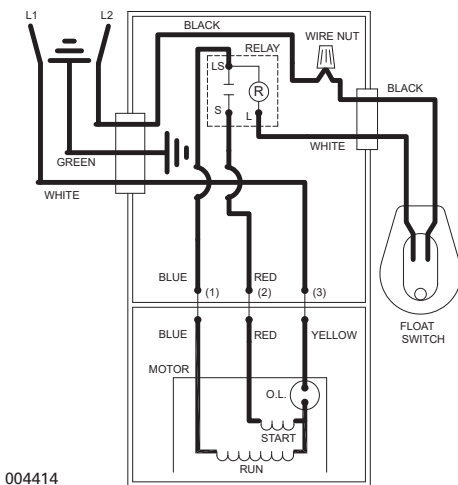
004620A
WIRING DIAGRAM FOR MODELS
“M267-F”, “D267-F”,
and “H267-F”
10/92 thru 04/18



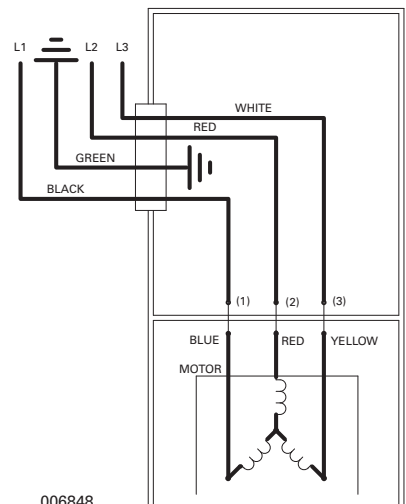
002395A
WIRING DIAGRAM FOR MODELS
“M267-F”, “E267-F”,
and “I267-F”
10/92 thru 04/18

TO ORDER REPLACEMENT PARTS
PLEASE FURNISH THE FOLLOWING INFORMATION:

- Model number
- Part number of pump
- Part number and description of part



004414
WIRING DIAGRAM FOR MODELS
“WM267-C”, “WM267-D”
10/92 thru 02/08



006848
WIRING DIAGRAM FOR MODELS
“J267-F”, “F267-F” and “G267-F”
10/92 thru 12/18

REPLACEMENT PARTS LIST FOR MODELS "M267", "D267" & "H267"

See page 9 for illustration.

| REF. NO. | DESCRIPTION | QTY | NOTES | MODELS: | | |
|----------|---|-----|-------|------------------|------------------|------------------|
| | | | | M267-F | D267-F | H267-F |
| | | | | 10/92 thru 04/18 | 10/92 thru 12/18 | 10/92 thru 01/19 |
| 1 | CASE & SWITCH ASM | 1 | 3 | 004739 | 004739 | 004739 |
| 2 | • HANDLE | 1 | | 267032 | 267032 | 267032 |
| 3 | CASE MACH. | 1 | 3 | 004610 | 004610 | 004610 |
| 4 | • GASKET,CASE/COVER | 1 | | 267007 | 267007 | 267007 |
| 5 | RELAY ASM. | 1 | | 002474 | 147135 | 001536 |
| 6 | • WIRE PACKAGE (2 WIRES) | 1 | | 267014 | 267014 | 267014 |
| 7 | HOUSING, MOTOR & STATOR (REGAL-BELOIT) | 1 | 1,2 | 002475 | 002476 | 003871 |
| | HOUSING, MOTOR & STATOR (EMERSON) | | | 014797 | 008642 | N/A |
| 8 | CORD TERMINAL & SEAL ASM. | 1 | 4 | 094071 | 094072 | 006930 |
| 9 | • SEAL, CORD-ASM. & STRAIN RELIEF | 1 | 4 | 094032 | 094032 | 011626 |
| 10 | • GUARD | 1 | | 267008 | 267008 | 267008 |
| 11 | • ARM & SEAL ASM. | 1 | 3 | 004741 | 004741 | 004741 |
| 12 | SWITCH ASM. | 1 | 3 | 004740 | 004740 | 004740 |
| 13 | FLOAT | 1 | | 034019 | 034019 | 034019 |
| 14 | ROD, FLOAT | 1 | | 001526 | 001526 | 001526 |
| 15 | ROTOR ASM. (REGAL-BELOIT) | 1 | 2 | 267005 | 267005 | 267005 |
| | ROTOR ASM. (EMERSON) | | | 004021 | 004021 | N/A |
| 16 | • SEAL, MOTOR HOUSING | 1 | | 267006 | 267006 | 267006 |
| 17 | WASHER, THRUST | 1 | | 002140 | 002140 | 002140 |
| 18 | HOUSING,PUMP-MACH. | 1 | | 003877 | 003877 | 003877 |
| 19 | • SEAL,SHAFT-ASM. | 1 | | 267027 | 267027 | 267027 |
| 20 | IMPELLER-PLASTIC | 1 | | 150857 | 150857 | 150857 |
| | IMPELLER-CAST IRON | | | 003884 | 003884 | 003884 |
| 21 | BASE-MACH. | 1 | | 008646 | 008646 | 008646 |
| 22 | GUIDE,FLOAT ROD - ASM. | 1 | | 004676 | 004676 | 004676 |
| 23 | • OIL,DIELECTRIC | 1 | | 267056 | 267056 | 267056 |
| 24 | • SEAL,THRU WALL TERMINAL | 3 | | 003402 | 003402 | 003402 |
| 25 | • PLUG,TEST-WHITE | 2 | | 034090 | 034090 | 034090 |
| 26 | • SCREW 1/4-20 X 3/4 LONG - HH MACH - SS | 9 | | 001916 | 001916 | 001916 |
| 27 | • SCREW #10-24 X 3/8 LONG - ROUND HEAD - SS | 3 | | 001883 | 001883 | 001883 |
| 28 | • SCREW #6-32 X 7/16 LONG | 2 | | 004644 | 004644 | 004644 |
| 29 | • SCREW #6-32 X 1/4 LONG | 3 | | 001877 | 001877 | 001877 |
| 30 | • SCREW 1/4-20 X 7/8 LONG - HH MACH - SS | 4 | | 012491 | 012491 | 012491 |
| □ | REBUILD KIT | 1 | | 004743 | 004743 | 004743 |

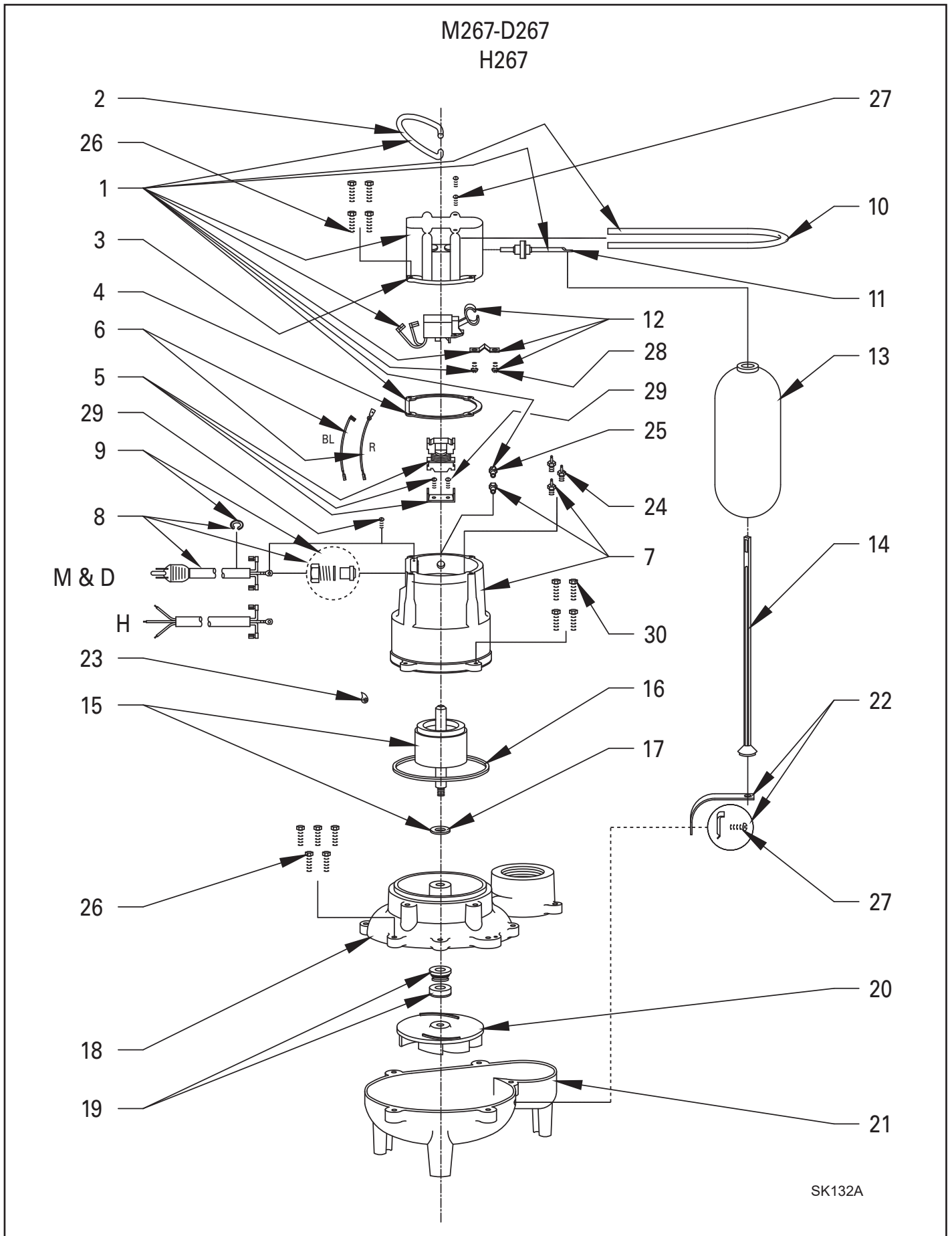
• Items included in Rebuild Kit.

□ Not shown in illustration.

NOTES:

- 1) Motor housing, bearing, stator & terminal are preassembled at the factory and must be replaced as a unit. Stator is permanently attached to the motor housing. White test plug, seal and thru wall terminals are replaceable.
- 2) When ordering motor housing, bearing, stator and terminal or rotor specify either GE or Emerson motor. GE motor can be identified by (4) half oval slots spaced at 90° around the outside diameter of the stator. Emerson motor can be identified by (2) half oval slots spaced at 180° around the outside diameter of the stator.
- 3) When ordering these parts, customer must identify if switch is a General Electric switch.
- 4) If an "X" follows model no., or date mfg. on brass ID tag, consult factory for ordering any parts.
- 5) See FM0160 parts price sheet for listing of parts prices.
- 6) "NA" indicates, not applicable.
- 7) Clamp, strain relief is not sold separately, must order seal, cord asm (Item 9).

REPLACEMENT PARTS ILLUSTRATION FOR MODELS "M267", "D267" & "H267"



**REPLACEMENT PARTS LIST FOR MODELS
"N267", "E267", "I267", "J267", "F267" & "G267"**

See page 11 for illustration.

| REF. NO. | DESCRIPTION | QTY | NOTES | MODELS: | | | | | |
|----------|---|-----|--------|------------------|------------------|------------------|------------------|------------------|------------------|
| | | | | N267-F | E267-F | I267-F | J267-E | F267-E | G267-F |
| | | | | 10/92 thru 04/18 | 10/92 thru 12/18 | 10/92 thru 01/18 | 10/92 thru 12/18 | 10/92 thru 12/18 | 10/92 thru 01/19 |
| 1 | COVER & HANDLE ASM | 1 | | 267051 | 267051 | 267051 | 267051 | 267051 | 267051 |
| 2 | • HANDLE | 1 | | 267032 | 267032 | 267032 | 267032 | 267032 | 267032 |
| 3 | COVER & GASKET/NON-AUTO | 1 | | 267052 | 267052 | 267052 | 267052 | 267052 | 267052 |
| 4 | RETAINER,HANDLE/NON-AUTO | 1 | | 267053 | 267053 | 267053 | 267053 | 267053 | 267053 |
| 5 | • GASKET,CASE/COVER | 1 | | 267007 | 267007 | 267007 | 267007 | 267007 | 267007 |
| 6 | RELAY ASM. | 1 | | 002474 | 147135 | 001536 | N/A | N/A | N/A |
| 7 | • WIRE PACKAGE (2 WIRES) | 1 | | 267014 | 267014 | 267014 | N/A | N/A | N/A |
| 8 | HOUSING, MOTOR & STATOR (REGAL-BELOIT) | 1 | 1,2 | 002475 | 002476 | 003781 | 009511 | 004966 | 009510 |
| | HOUSING, MOTOR & STATOR (EMERSON) | | | 014797 | 008642 | N/A | N/A | N/A | N/A |
| 9 | CORD TERM&SEAL ASM | 1 | 3 | 153878 | 153879 | 007071 | 003761 | 003761 | 003761 |
| 10 | • SEAL, CORD-ASM. & STRAIN RELIEF | 1 | 3 | 094032 | 094032 | 094032 | 094032 | 094032 | 094032 |
| 11 | ROTOR ASM. (REGAL-BELOIT) | 1 | 2 | 267005 | 267005 | 267005 | 009506 | 009506 | 009506 |
| | ROTOR ASM. (EMERSON) | | | 004021 | 004021 | N/A | N/A | N/A | N/A |
| 12 | • SEAL, MOTOR HOUSING | 1 | | 267006 | 267006 | 267006 | 267006 | 267006 | 267006 |
| 13 | • WASHER, THRUST | 1 | | 002140 | 002140 | 002140 | 002140 | 002140 | 002140 |
| 14 | HOUSING,PUMP-MACH. | 1 | | 003877 | 003877 | 003877 | 003877 | 003877 | 003877 |
| 15 | • OIL,DIELECTRIC | 1 | | 267056 | 267056 | 267056 | 267056 | 267056 | 267056 |
| 16 | • SEAL,SHAFT-ASM. | 1 | | 267027 | 267027 | 267027 | 267027 | 267027 | 267027 |
| 17 | IMPELLER-PLASTIC | 1 | | 150857 | 150857 | 150857 | N/A | N/A | N/A |
| | IMPELLER-CAST IRON | | 003884 | 003884 | 003884 | 009884 | 009884 | 009884 | |
| 18 | BASE-MACH. | 1 | | 008646 | 008646 | 008646 | 008646 | 008646 | 008646 |
| 19 | • SEAL,THRU WALL TERMINAL | 3 | | 003402 | 003402 | 003402 | 003402 | 003402 | 003402 |
| 20 | • PLUG,TEST-WHITE | 2 | | 034090 | 034090 | 034090 | 034090 | 034090 | 034090 |
| 21 | NUT,5/16-24UNF SS ACORN/LOW CROWN | 1 | | N/A | N/A | N/A | 004348 | 004348 | 004348 |
| 22 | • SCREW 1/4-20 X 3/4 LONG - HH MACH - SS | 9 | | 001916 | 001916 | 001916 | 001916 | 001916 | 001916 |
| 23 | • SCREW #10-24 X 3/8 LONG - ROUND HEAD - SS | 3 | | 001883 | 001883 | 001883 | 001883 | 001883 | 001883 |
| 24 | • SCREW #6-32 X 1/4 LONG | 3 | | 001877 | 001877 | 001877 | 001877 | 001877 | 001877 |
| 25 | • SCREW 1/4-20 X 7/8 LONG - HH MACH - SS | 4 | | 012491 | 012491 | 012491 | 012491 | 012491 | 012491 |
| □ | REBUILD KIT | 1 | | 004743 | 004743 | 004743 | 004743 | 004743 | 004743 |

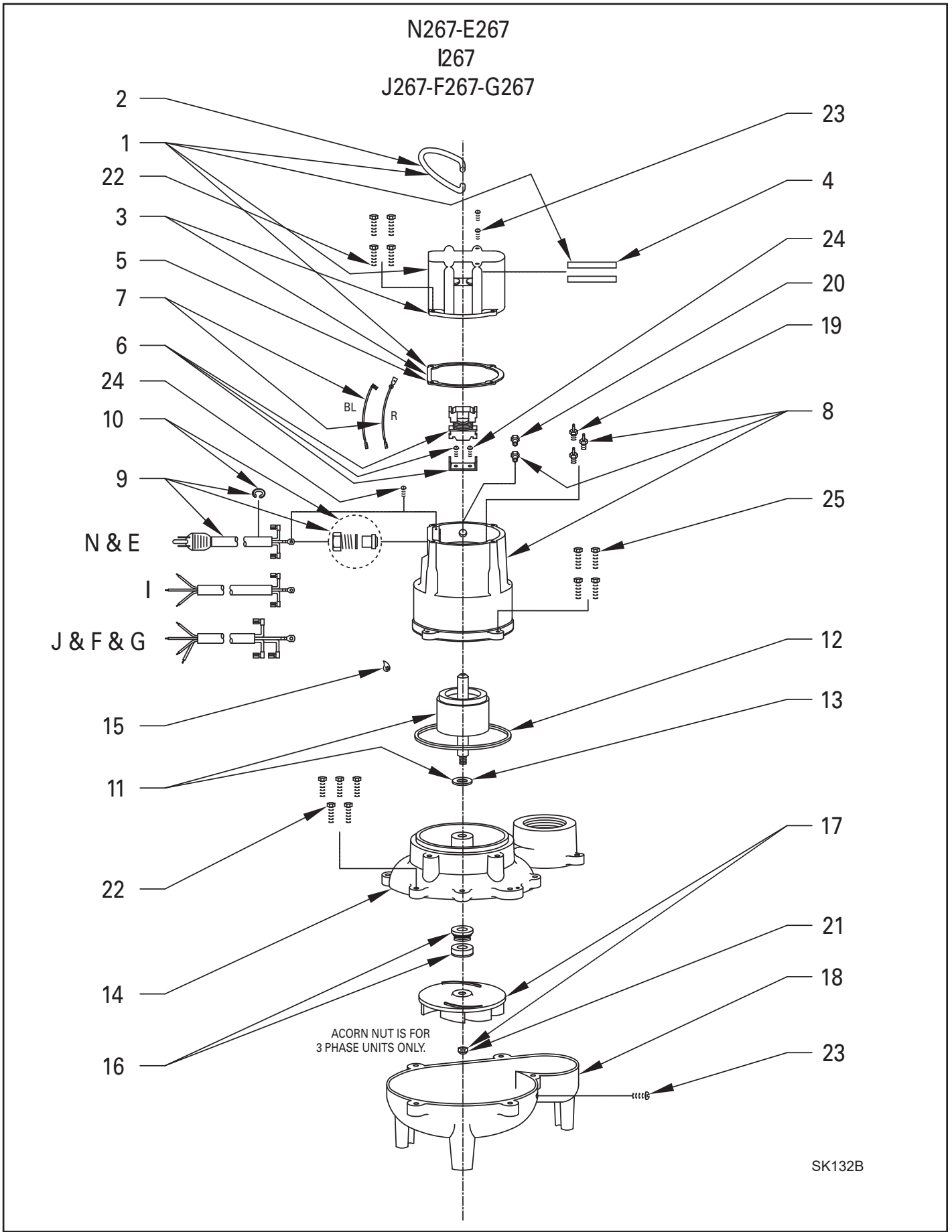
• Items included in Rebuild Kit.

□ Not shown in illustration.

NOTES:

- 1) Motor housing, bearing, stator & terminal are preassembled at the factory and must be replaced as a unit. Stator is permanently attached to the motor housing. White test plug, seal and thru wall terminals are replaceable.
- 2) When ordering motor housing, bearing, stator and terminal or rotor specify either GE or Emerson motor. GE motor can be identified by (4) half oval slots spaced at 90° around the outside diameter of the stator. Emerson motor can be identified by (2) half oval slots spaced at 180° around the outside diameter of the stator.
- 3) If an "X" follows model no., or date mfg. on brass ID tag, consult factory for ordering any parts.
- 4) See FM0160 parts price sheet for listing of parts prices.
- 5) "NA" indicates, not applicable.
- 6) Clamp, strain relief is not sold separately, must order seal, cord asm (Item 10).

**REPLACEMENT PARTS ILLUSTRATION FOR MODELS "N267",
"E267", "I267", "J267", "F267" & "G267"**



SK132B

REPLACEMENT PARTS LIST FOR MODEL "WM267"

See page 13 for "WM267" illustration.

| REF. NO. | DESCRIPTION | QTY | NOTES | MODELS: | |
|----------|---|-----|-------|-----------------|------------------|
| | | | | WM267-C | WM267-D |
| | | | | 10/92 thru 9/94 | 10/94 thru 02/08 |
| 1 | COVER & HANDLE ASM | 1 | | 267051 | 267051 |
| 2 | • HANDLE | 1 | | 267032 | 267032 |
| 3 | COVER & GASKET/NON-AUTO | 1 | | 267052 | 267052 |
| 4 | RETAINER,HANDLE/NON-AUTO | 1 | | 267053 | 267053 |
| 5 | • GASKET,CASE/COVER | 1 | | 267007 | 267007 |
| 6 | • RELAY ASM. | 1 | | 002474 | 002474 |
| 7 | • WIRE PACKAGE (2 WIRES) | 1 | | 267014 | 267014 |
| 8 | HOUSING, MOTOR & STATOR (REGAL-BELOIT) | 1 | 1,2 | 004672 | 004672 |
| | HOUSING, MOTOR & STATOR (EMERSON) | | | 015451 | 015451 |
| 9 | CORD TERMINAL & SEAL ASM. | 1 | 3 | 006090 | 006090 |
| 10 | • SEAL, CORD-ASM. & STRAIN RELIEF | 1 | 3 | 094032 | 094032 |
| 11 | ROTOR ASM. (REGAL-BELOIT) | 1 | 2 | 267005 | 267005 |
| | ROTOR ASM. (EMERSON) | | | 004021 | 004021 |
| 12 | • SEAL, MOTOR HOUSING | 1 | | 267006 | 267006 |
| 13 | • WASHER, THRUST | 1 | | 002140 | 002140 |
| 14 | HOUSING,PUMP-MACH. | 1 | | 004404 | 003877 |
| 15 | • OIL,DIELECTRIC | 1 | | 267056 | 267056 |
| 16 | • SEAL,SHAFT-ASM. | 1 | | 267027 | 267027 |
| 17 | IMPELLER-PLASTIC | 1 | | N/A | 150857 |
| | IMPELLER-CAST IRON | | | 003884 | 003884 |
| 18 | BASE-MACH. | 1 | | 008646 | 008646 |
| 19 | • SEAL,THRU WALL TERMINAL | 3 | | 003402 | 003402 |
| 20 | • PLUG,TEST-WHITE | 2 | | 034090 | 034090 |
| 21 | SWITCH,VERT FLOAT-ASM "WM267" W/ FLOAT & BRKT | 1 | | 004485 | 009631 |
| 22 | SEAL,CORD-ASM "WM267 PF & QJ" | 1 | | 004486 | 004486 |
| 23 | CONNECTOR, WIRENUT | 1 | | 001776 | 001776 |
| 24 | CLAMP,CABLE-NYLON | 1 | | 004413 | N/A |
| 25 | • SCREW 1/4-20 X 3/4 LONG - HH MACH - SS | 9 | | 001916 | 001916 |
| 26 | • SCREW #10-24 X 3/8 LONG - ROUND HEAD - SS | 3 | | 001883 | 001883 |
| 27 | • SCREW #6-32 X 1/4 LONG | 3 | | 001877 | 001877 |
| 28 | • SCREW 1/4-20 X 7/8 LONG - HH MACH - SS | 4 | | 012491 | 012491 |
| 29 | SWITCH,VERT FLOAT-ASM "WM267" W/ FLOAT & BRKT | 1 | | 009630 | 009630 |
| 30 | FLOAT ROD RETAINING PIN | 1 | | N/A | 009121 |
| 31 | ROD, FLOAT | 1 | | N/A | 009118 |
| 32 | FLOAT ROD STOP | 2 | | N/A | 009120 |
| 33 | FLOAT | 1 | | N/A | 009119 |
| 34 | BRACKET, SWITCH MTG. | 1 | | N/A | 009117 |
| 35 | GROMMET, GUIDE | 1 | | N/A | 003052 |
| 36 | SCREW,#8-32 X .625" PH R.H. TYPE F-410 S.S. | 2 | | N/A | 009111 |
| 37 | CLAMP,#40HS WORM-SS | 1 | | N/A | 004304 |
| * | REBUILD KIT | 1 | | 004743 | 004743 |

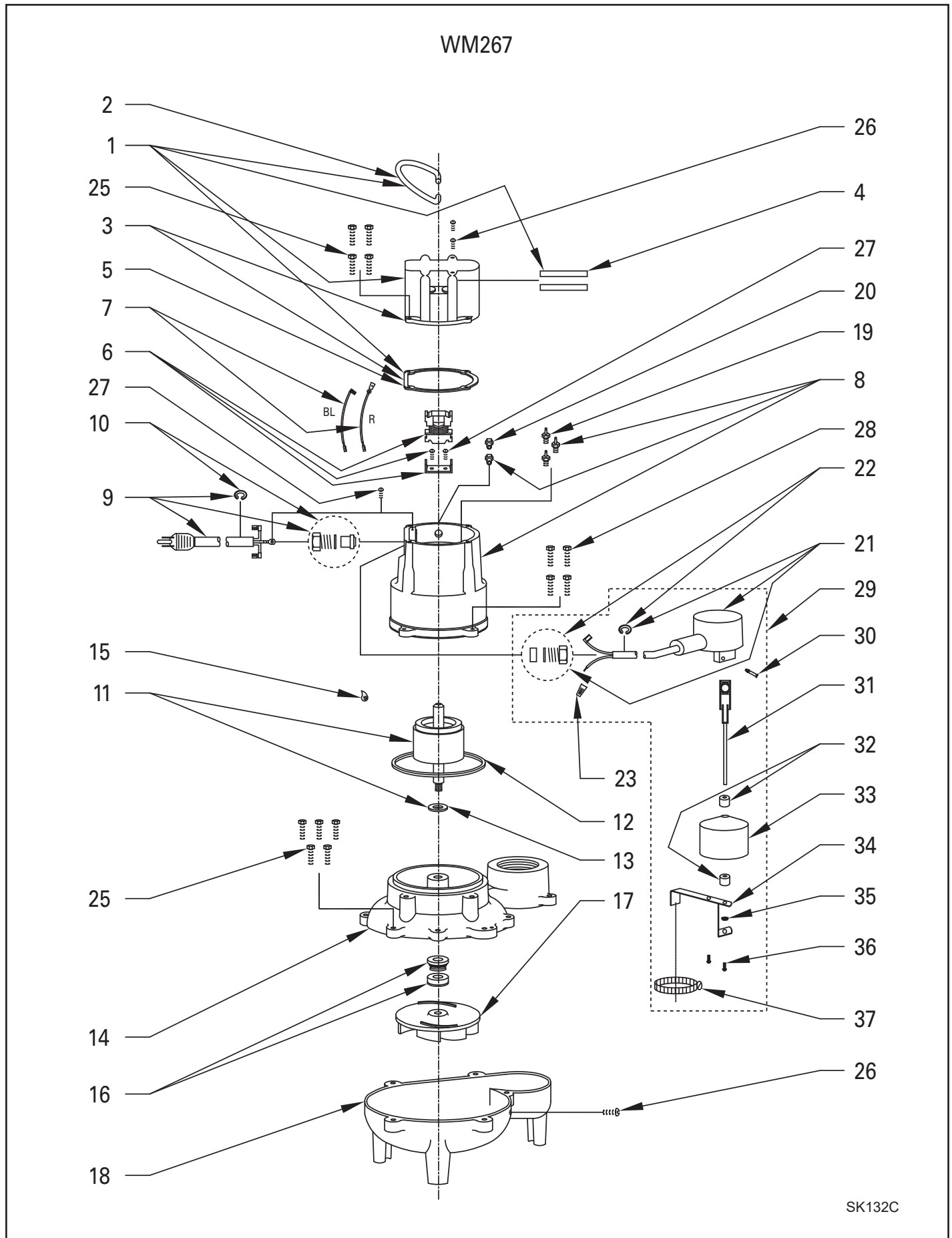
• Items included in Rebuild Kit.

□ Not shown in illustration.

NOTES:

- 1) Motor housing, bearing, stator & terminal are preassembled at the factory and must be replaced as a unit. Stator is permanently attached to the motor housing. White test plug, seal and thru wall terminals are replaceable.
- 2) When ordering motor housing, bearing, stator and terminal or rotor specify either GE or Emerson motor. GE motor can be identified by (4) half oval slots spaced at 90° around the outside diameter of the stator. Emerson motor can be identified by (2) half oval slots spaced at 180° around the outside diameter of the stator.
- 3) If an "X" follows model no., or date mfg. on brass ID tag, consult factory for ordering any parts.
- 4) See FM0160 parts price sheet for listing of parts prices.
- 5) "NA" indicates, not applicable.
- 6) Clamp, strain relief is not sold separately, must order Seal, cord asm (Item 10).

REPLACEMENT PARTS ILLUSTRATION FOR MODEL "WM267"



NOTES

Lined area for taking notes.



MAIL TO: P.O. BOX 16347 • Louisville, KY 40256-0347
SHIP TO: 3649 Cane Run Road • Louisville, KY 40211-1961
(502) 778-2731 • 1 (800) 928-PUMP • FAX (502) 774-3624

Trusted. Tested. Tough.®

Visit our website:
zoellerpumps.com