

Product information presented here reflects conditions at time of publication. Consult factory regarding discrepancies or inconsistencies.



## TECHNICAL DATA SHEET

### DRAIN PUMP WITH SPECIAL OPTIONS

#### 2" INLET DRAIN PUMP 105-0010

#### *High Head Drain Pump 135-0005*

**Removes water from areas where gravity flow is not available.**

### DRAIN PUMP SERIES FEATURES

- Automatic pumps with tank cord seals and all hardware for easy assembly
- Polyethylene basin and lid
- Internal discharge pipe to lid
- Check valve (Model 105: 30-0181, Model 135: 30-0102)
- Height: 15-1/2" (393 mm)
- Width: 15-3/4" (400 mm)
- Weight: 5 lb (2 kg)
- Gas tight cover
- Temperature rated 130 °F (54 °C)
- Fits under single or double laundry tray sinks

#### 105-0010 (Model 53)

- Passes laundry lint
- Automatic, float-operated mechanical switch
- 115 V, 1 Ph, 60 Hz
- 1550 RPM
- 9' (2.7 m) UL Listed, 3-wire cord and plug
- Stainless steel screws, guard, handle and switch arm.
- Passes 1/2" (12 mm) spherical solids
- 1-1/2" NPT discharge
- Non-clogging vortex impeller
- Glass-filled polypropylene base with built-in strainer
- Temperature rated 130 °F (54 °C)

#### 135-0005 (Model 152)

- cCSAus Certified pump
- Passes laundry lint
- Durable cast iron construction
- Corrosion-resistant, powder coated epoxy finish
- Stainless steel lifting handle
- Assembled with stainless steel bolts
- Non-clogging engineered thermoplastic vortex impeller design
- Passes 3/4" (19 mm) spherical solids
- Temperature rated 130 °F (54 °C)
- 60 Hz, 3450 RPM, oil filled, hermetically sealed motor with automatic reset thermal overload protection
- Carbon/ceramic seals
- Upper sleeve bearing and lower ball bearing running in bath of oil
- 4/10 HP
- 15' (5 m) UL Listed power cord with molded 3-wire plug and wired-in vertical float switch
- 1-1/2" NPT discharge
- cCSAus certified pump

### CHECK VALVES

#### 30-0181

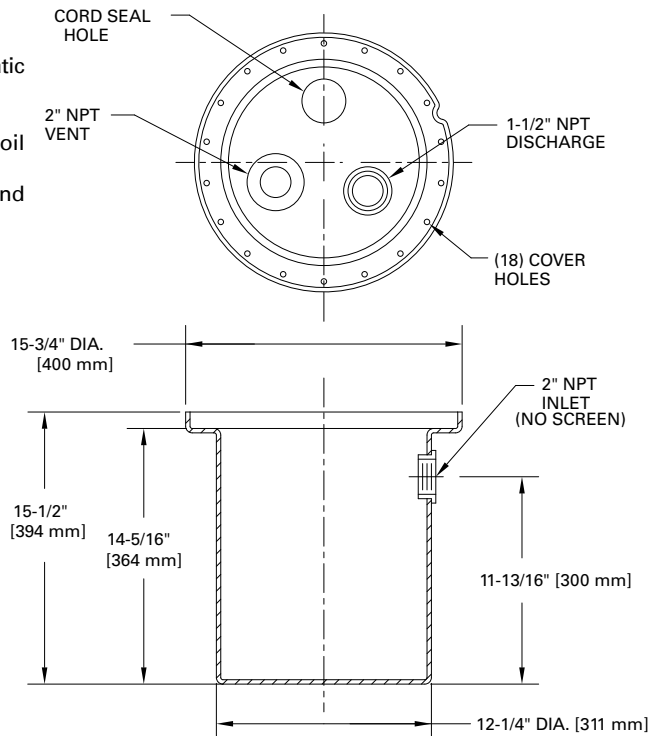
- "Full Flow" design
  - 1-1/2" or 1-1/4" slip x slip union
  - PVC construction
- For additional specifications see FM0217.

#### 30-0102

- "Full Flow" design
  - 1-1/2" solvent weld
  - PVC construction
- For additional specifications see FM0217.

### BASIN

- Polyethylene construction
- Corrosion-resistant
- High capacity
- Gasketed polyethylene lid
- 2" NPT vent
- 1-1/2" NPT discharge
- 2" NPT inlet - no screen
- Threaded connections for easy installation

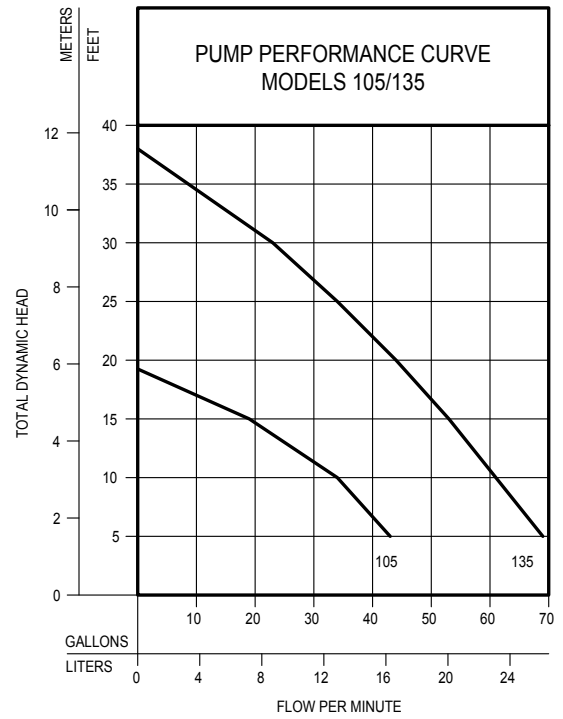


# TOTAL DYNAMIC HEAD FLOW PER MINUTE

MODEL		105		135	
Feet	Meters	Gal.	Liters	Gal.	Liters
5	1.5	43	163	69	261
10	3.0	34	129	61	231
15	4.6	19	72	53	201
20	6.1	--	--	44	167
25	7.6	--	--	34	129
30	9.1	--	--	23	87
Shut-off Head:		19.25 ft. (5.9 m)		38 ft. (11.6 m)	

NOTE: Special Option Basin utilizes a different basin than Zoeller's standard system. This basin has a 2" (50 mm) side inlet only.

**⚠ WARNING** To reduce the risk of electrical shock, a properly grounded receptacle of grounding type shall be installed and protected by a ground fault circuit interrupter (GFCI) in accordance with national electrical code and local codes. Do not remove ground pin from plug.



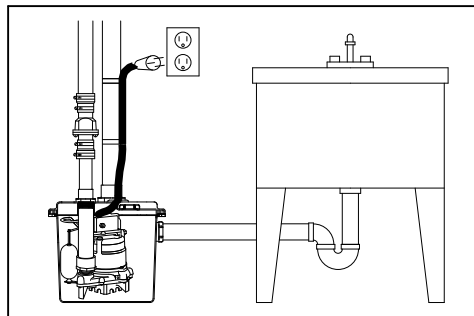
016301

Model	MODEL COMPARISON								
	Seal	Mode	Volts	Ph	Amps	HP	Hz	Lbs	Kg
105 (M53)	Single	Auto	115	1	9.7	3/10	60	30	14
135 (WM152)	Single	Auto	115	1	8.5	4/10	60	48	22

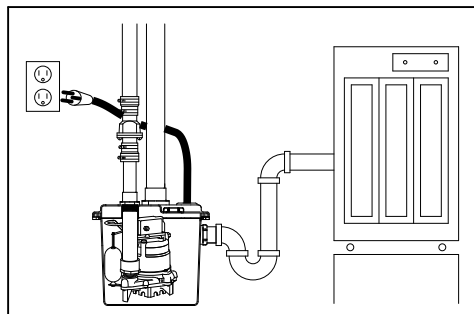
**⚠ CAUTION** All installation of controls, protection devices and wiring should be done by a qualified licensed electrician. All electrical and safety codes should be followed including the most recent National Electrical Code (NEC) and the Occupational Safety and Health Act (OSHA).

## STANDARD INSTALL

Laundry Tray Pump



Dehumidifier or Air Conditioner



SK2011

Applications include: laundry tray pump, wet bar sink, lavatory, air conditioning condensate or dehumidifier water removal. It can also be used in conjunction with dishwashers and garbage disposal applications.