

Patent No. 8,535,014
 Automatic model only

MAIL TO: P.O. BOX 16347 • Louisville, KY 40256-0347
 SHIP TO: 3649 Cane Run Road • Louisville, KY 40211-1961
 Tel: (502) 778-2731 • 1 (800) 928-PUMP

Visit our website:
 zoellerpumps.com

Product information presented here reflects conditions at time of publication. Consult factory regarding discrepancies or inconsistencies.

TECHNICAL DATA SHEET

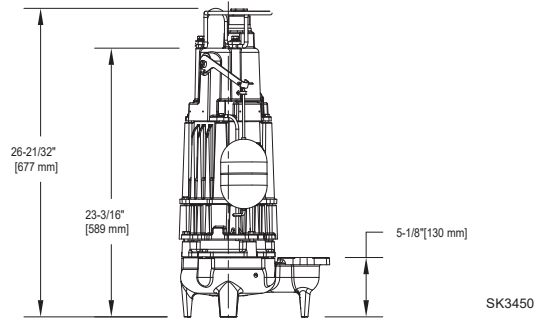
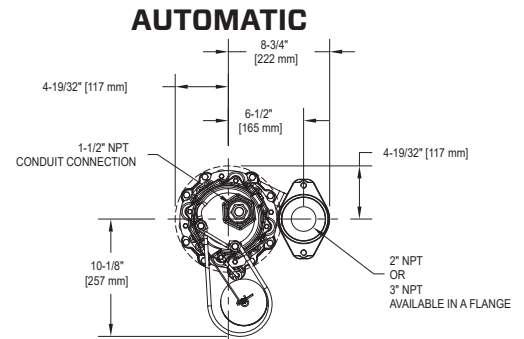
EXPLOSION PROOF OR DUST-IGNITION PROOF RATED SERIES

Models X4292, X4294 & X4295 Submersible Sewage Pumps for Hazardous Locations

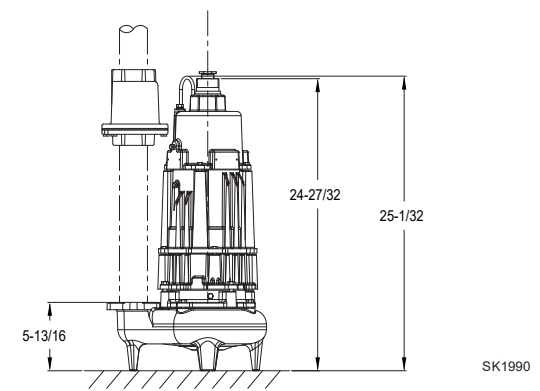
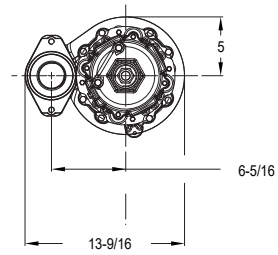
Class I, Division 1, Groups C & D Rated and Class I, Zone 1, Groups IIA & IIB Gas Areas
 or
 Class II, Division 1, Groups E, F & G and Zone 20 Dust Areas

PRODUCT SPECIFICATIONS

MOTOR	Horse Power	1/2 - 2 HP
	Voltage	115 - 460
	Phase	1 or 3 Ph
	Hertz	60 Hz
	RPM	3450
	Type	Permanent split capacitor or 3 Ph
	Insulation	Class B:X4292, Class F:X4294, X4295
	Amps	6.1 - 17.1
PUMP	Operation	Automatic or nonautomatic
	Auto On/Off Points	19-1/2" (495 mm) / 9.75" (24.7 cm)
	Discharge Size	2" or 3" NPT female, flanged vertical
	Solids Handling	2" (50 mm) spherical solids
	Cord Length	25' (7.6 m), Optional 50' (15.2 m)
	Cord Type	1 Ph-UL listed 5-wire neoprene cord 3 Ph-8 wire with no plug
	Max. Head	75' (22.9 m)
	Max. Flow Rate	214 GPM (810 LPM)
	Max. Operating Temp.	104 °F (40 °C)
	Cooling	Oil filled with finned housings
	Motor Protection	Auto reset thermal overload (1 Ph) or thermal sensor (3 Ph)
MATERIALS	Upper Bearing	Ball bearing
	Lower Bearing	Ball bearing
	Mechanical Seals	Carbon and ceramic with stainless steel parts
	Impeller Type	Non-clogging vortex
	Impeller	Cast iron
	Hardware	Stainless steel
	Gasket	Neoprene square ring



NONAUTOMATIC



All Class 30 cast iron construction.

NOTE: The sizing of a pump system normally requires variable level float(s) controls and properly sized basins to achieve required pumping cycles or dosing timers with nonautomatic pumps.

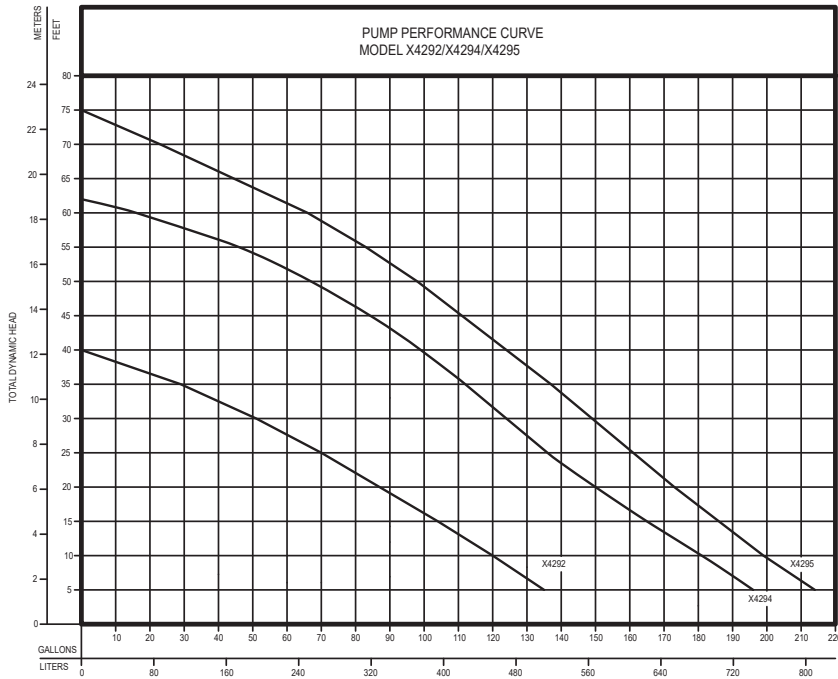
NOTE: *Pump tags will be specific to either gas or dust areas

* Optional discharge flanges available:

10-1306 - 3"



TOTAL DYNAMIC HEAD FLOW PER MINUTE



TOTAL DYNAMIC HEAD/FLOW PER MINUTE SEWAGE AND DEWATERING

MODEL		X4292		X4294		X4295	
Feet	Meters	Gal.	Liters	Gal.	Liters	Gal.	Liters
5	1.5	135	511	196	742	214	810
10	3.0	120	454	181	685	199	753
15	4.6	104	394	165	625	186	704
20	6.1	87	329	150	568	173	655
25	7.6	70	265	136	515	161	609
30	9.1	51	193	124	469	149	564
35	10.7	29	110	112	424	137	519
40	12.2	--	--	99	375	124	469
50	15.2	--	--	67	254	98	371
55	16.8	--	--	46	174	83	314
60	18.3	--	--	16	61	66	250
70	21.3	--	--	--	--	23	87
Shut-off Head:		40 ft.(12.2m)		62 ft.(18.9m)		75 ft.(22.9m)	

009919

Model	MODEL COMPARISON							
	*Mode	Volts	Ph	Amps	HP	Hz	Lbs	Kg
MX4292	Auto	115	1	15.0	1/2	60	123	56
NX4292	Non	115	1	15.0	1/2	60	118	54
DX4294	Auto	230	1	13.7	1-1/2	60	128	58
EX4294	Non	230	1	13.7	1-1/2	60	121	55
JX4294	Non	200	3	10.8	1-1/2	60	121	55
GX4294	Non	460	3	4.8	1-1/2	60	121	55
DX4295	Auto	230	1	17.1	2	60	128	58
EX4295	Non	230	1	17.1	2	60	121	55
JX4295	Non	200	3	14.3	2	60	121	55
FX4295	Non	230	3	12.2	2	60	121	55
GX4295	Non	460	3	6.1	2	60	121	55

*For non-auto models, water level switch is required to be set at a minimal off point of 10 inches to meet dust-ignition proof certification requirements.
All Models are, cCSAus certified for hazardous gas or dust locations.
Tested to FM Standards 3600 & 3615 & 3616 by CSA

NOTES:

1. See FM3459 for correct intrinsically-safe simplex or duplex panel
2. See FM0526 for variable level control switches rated 30VDC are used as a control activator. Quantity required dependent upon panel selection.
3. Automatic pumps with integral float-operated mechanical switch; no external control required
4. Automatic pumps: use the optional seal-failure panel (10-1031) to activate the moisture sensor circuit, for pump protection and when required by local codes.