



MODELS 818/820

Grinder Pump Series

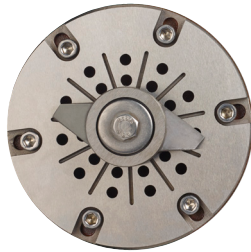
GRIND AND PUMP tough materials, including disposable wipes, found in today's wastewater applications.



Features:

- Dual blade, angled cutter design provides superior grinding with sharper cutting edges
- More torque delivered to each cutter blade
- Lowering amp spikes during demanding grinding cycles
- Cutting plate decreases solids to less than 1/8" (3 mm)
- Cool-run design incorporates an oil-filled motor with finned housings
- Automatic & non-automatic models
 - 1 HP: 115 Volt, 1 Phase
 - 2 HP: 200-230 Volt, 1 Phase

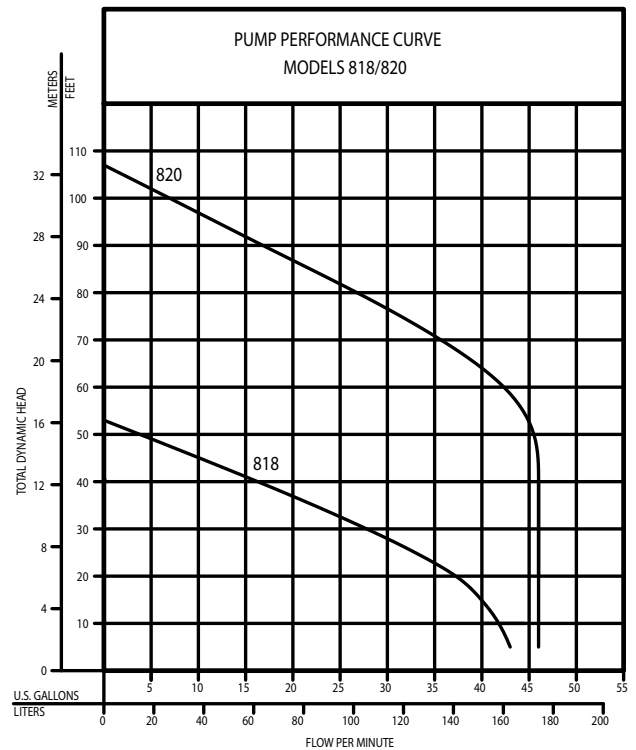
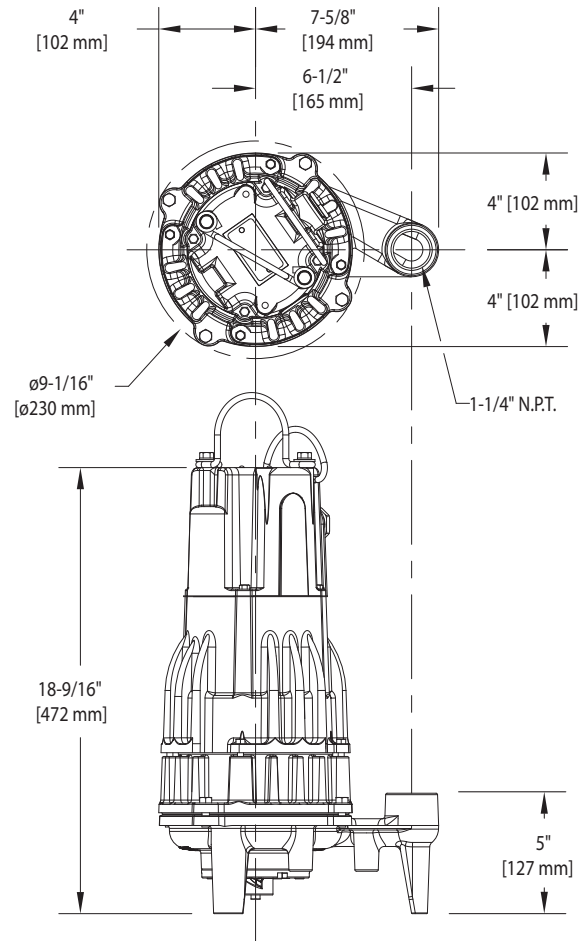
100% factory tested



Grinder blade and cutting plate

PRODUCT SPECIFICATIONS

MOTOR	Horse Power	1.0 - 2.0
	Voltage	115 (818) / 200 / 230 (820)
	Phase	1 Ph
	Hertz	60 Hz
	RPM	3450
	Type	Capacitor start / capacitor run or 3 Ph
	Insulation	Class B
	Amps	2.7 - 15.5
PUMP	Operation	Automatic or nonautomatic
	Auto On / Off	Variable level float switch, customer sets
	Discharge Size	1-1/4" NPT vertical discharge
	Cord Length	20' (6 m) standard
	Cord Type	SOOW multi-wire neoprene
	Max. Head	107' (32.6 m)
	Max. Flow Rate	46 GPM (174 LPM)
	Max. Operating Temp.	130 °F (54 °C)
	Cooling	Oil filled
Motor Protection	Auto reset thermal overload (1 Ph)	



Tested to Standard UL778 and Certified to CSA Standard C22.2 No. 108



FM2966
0624
Supersedes
0224



All installation of controls, protection devices and wiring should be done by a qualified licensed electrician. All electrical and safety codes should be followed including the most recent National Electrical Code (NEC) and the Occupational Safety and Health Act (OSHA).