

Trusted. Tested. Tough.®

U.S. Patent No.
8,562,287



SECTION: 2.25.021
FM2882
0724
Supersedes
0424

MAIL TO: P.O. BOX 16347 • Louisville, KY 40256-0347
SHIP TO: 3649 Cane Run Road • Louisville, KY 40211-1961
Tel: (502) 778-2731 • 1 (800) 928-PUMP

Visit our website:
zoellerpumps.com

Product information presented here reflects conditions at time of publication. Consult factory regarding discrepancies or inconsistencies.



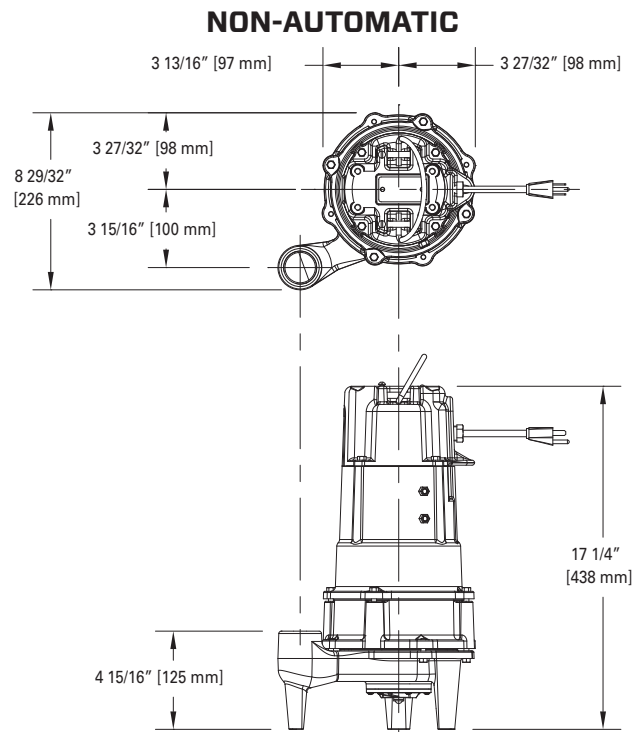
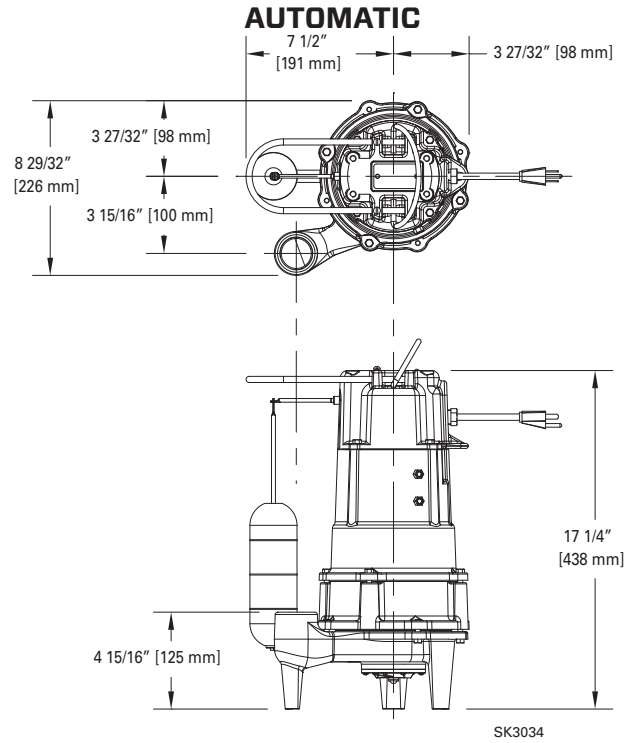
TECHNICAL DATA SHEET

SHARK GRINDER

Model 803/805/807 Residential Grinder Pumps

PRODUCT SPECIFICATIONS

MOTOR	Horse Power	0.5 - 1.0
	Voltage	115, 200-230
	Phase	1 Ph
	Hertz	60 Hz
	RPM	3400
	Type	Capacitor start / Capacitor run
	Insulation	Class B
	Amps	115 V (7-11) / 200-230 V (4-6)
PUMP	Operation	Automatic & nonautomatic
	Auto On/Off Points	13" (33 cm) / 5-3/4" (14.6 cm)
	Discharge Size	1.25" NPT
	Cord Length	15' (5 m) standard
	Cord Type	UL listed 3-wire plug
	Max. Head	55' (16.8 m)
	Max. Operating Temp.	130° F (54 °C)
	Cooling	Oil
MATERIALS	Motor Protection	Auto reset thermal overload (1 Ph)
	Cover	Cast iron
	Motor housing	Cast iron
	Adapter	Cast iron
	Pump housing	Cast iron
	Upper Bearing	Ball bearing
	Lower Bearing	Ball bearing
	Mechanical Seals	Carbon and ceramic
	Impeller Type	Non-clogging vortex
	Impeller	Engineered plastic
	Hardware	Stainless steel
	Motor Shaft	1215 cold rolled steel
Gasket	Neoprene	
Cutter & Plate	440C Stainless Steel	



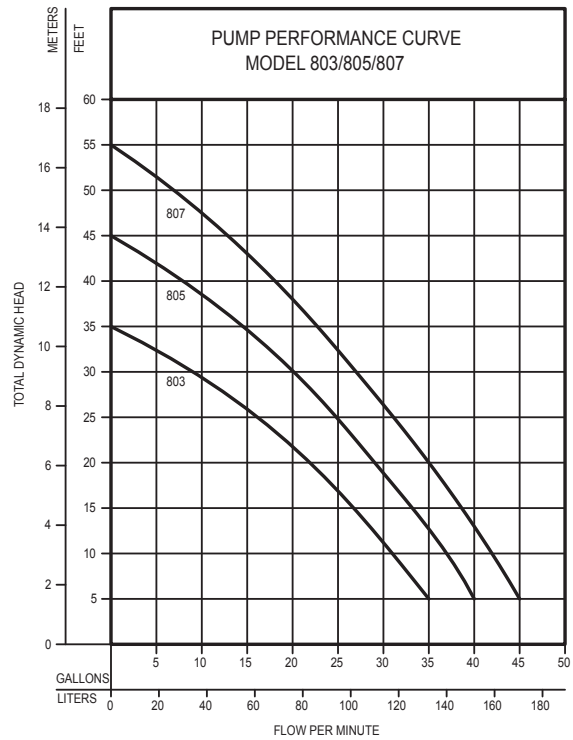
NOTE: The sizing of effluent systems normally requires variable level float(s) controls and properly sized basins to achieve required pumping cycles or dosing timers with nonautomatic pumps.

NOTE: See model comparison chart for specific details.



TOTAL DYNAMIC HEAD FLOW PER MINUTE

MODEL		803		805		807	
Feet	Meters	Gal.	Liters	Gal.	Liters	Gal.	Liters
5	1.5	35	132	40	151	45	170
10	3.0	31	117	37	140	42	159
20	6.1	22	83	29	110	35	132
30	9.1	9	34	20	76	27	102
40	12.2	--	--	8	30	18	68
50	15.2	--	--	--	--	7	26
Shut-off Head:		35 ft. (10.7 m)		45 ft. (13.7 m)		55 ft. (16.8 m)	



153604B

Model	MODEL COMPARISON										
	Seal	Mode	Volts	Ph	Amps	HP	Hz	Lbs.	Kg	Simplex	Duplex
M803	Single	Auto	115	1	7.0	0.5	60	65	29	1	3
N803	Single	Non	115	1	7.0	0.5	60	65	29	2	2 & 3
BN803	Single	Auto	115	1	7.0	0.5	60	65	29	4	3
DH803	Single	Auto	200-230	1	4.0	0.5	60	65	29	1	3
EI803	Single	Non	200-230	1	4.0	0.5	60	65	29	2	2 & 3
BEI803	Single	Auto	200-230	1	4.0	0.5	60	65	29	4	3
M805	Single	Auto	115	1	9.0	0.75	60	65	29	1	3
N805	Single	Non	115	1	9.0	0.75	60	65	29	2	2 & 3
BN805	Single	Auto	115	1	9.0	0.75	60	65	29	4	3
DH805	Single	Auto	200-230	1	5.0	0.75	60	65	29	1	3
EI805	Single	Non	200-230	1	5.0	0.75	60	65	29	2	2 & 3
BEI805	Single	Auto	200-230	1	5.0	0.75	60	65	29	4	3
M807	Single	Auto	115	1	11.0	1.0	60	65	29	1	3
N807	Single	Non	115	1	11.0	1.0	60	65	29	2	2 & 3
BN807	Single	Auto	115	1	11.0	1.0	60	65	29	4	3
DH807	Single	Auto	200-230	1	6.0	1.0	60	65	29	1	3
EI807	Single	Non	200-230	1	6.0	1.0	60	65	29	2	2 & 3
BEI807	Single	Auto	200-230	1	6.0	1.0	60	65	29	4	3

SELECTION GUIDE

1. Integral float-operated mechanical switch, no external control required.
2. For automatic use single piggyback variable level float switch or double piggyback variable level float switch. Refer to FM0477.
3. See FM0486 for correct model of duplex control panel.
4. Single piggyback switch included.



All installation of controls, protection devices and wiring should be done by a qualified licensed electrician. All electrical and safety codes should be followed including the most recent National Electrical Code (NEC) and the Occupational Safety and Health Act (OSHA).