

Product information presented here reflects conditions at time of publication. Consult factory regarding discrepancies or inconsistencies.

PUMP COMPANY

Zoeller Family of Water Solutions™

MAIL TO: P.O. BOX 16347 • Louisville, KY 40256-0347
SHIP TO: 3649 Cane Run Road • Louisville, KY 40211-1961
(502) 778-2731 • 1 (800) 928-PUMP • FAX (502) 774-3624

visit our web site:
www.zoeller.com

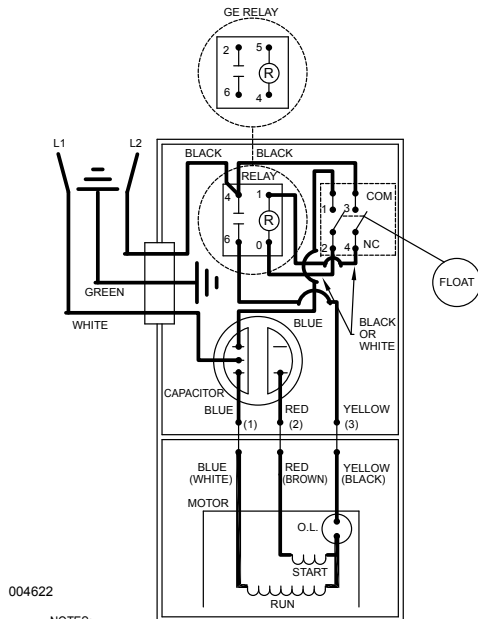
REPLACEMENT PARTS LIST FOR MODELS:

- H295 AUTOMATIC 208V/1PH
- I295 NONAUTOMATIC 208V/1PH
- J295 NONAUTOMATIC 208V/3PH
- F295 NONAUTOMATIC 230V/3PH
- G295 NONAUTOMATIC 460V/3PH
- BA295 NONAUTOMATIC 575V/3PH

Consult factory for all others models

TO ORDER REPLACEMENT PARTS PLEASE FURNISH THE FOLLOWING INFORMATION:

- Model Number.
- Part Number of Pump.
(If manufactured prior to June 1988, give 2 letter date code following Model Number).
- Part Number and Description of part.

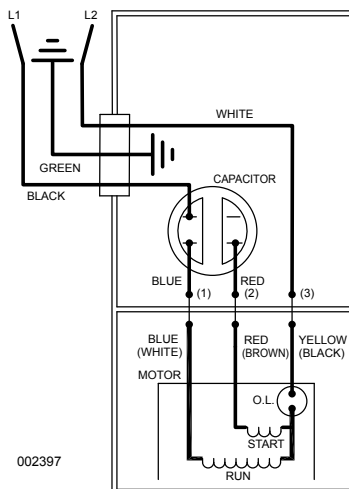


004622

NOTES:

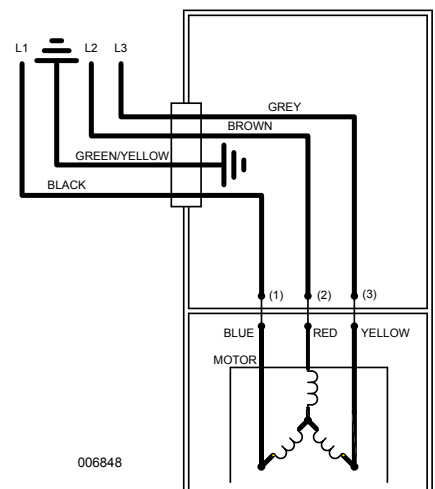
INSULATORS REQUIRED ON GE RELAY TERMINALS 2 & 5;
OMRON RELAY TERMINALS 1 & 4.

WIRING DIAGRAM FOR MODELS
"H295-A" thru "H295-F"
5/86 (RS) to Current



002397

WIRING DIAGRAM FOR MODELS
"I295-A" thru "I295-E"
5/86 (RS) to Current



006848

WIRING DIAGRAM FOR MODELS
"J295", "F295", "G295" and "BA295"
All Revisions 1/86 thru Current

REPLACEMENT PARTS LIST FOR MODEL "H295".

See page 4 for illustration.

REF. NO.	DESCRIPTION	QTY	NOTES	MODELS:					
				H295-A	H295-B	H295-C	H295-D	H295-E	H295-F
				5/86 RS thru 8/86 US	9/86 VS thru 4/03	5/03 thru 5/08	6/08 thru 1/16	2/16 thru 5/16	6/16 thru Current
1	Case Sw & Cord 230V/1Ph/14ga	1	3,4	005125	014332	014157	014157	014157	014157
2	• Guard	1		001023	001023	001023	001023	001023	001023
3	Case-Mach "189/295"	1	3,4	004633	004633	014154	014154	014154	014154
4	• Arm & Seal Asm "160/180/290"	1	4	004745	004745	004745	004745	004745	004745
5	• Gasket,Case/Cover	1		001011	001011	001011	001011	001011	001011
6	Switch Asm "160/180/290"	1	4	004744	004744	004744	004744	004744	004744
7	• Wire Pkg(5)Wires 1.5/2 HP	1		004751	004751	004751	004751	004751	004751
8	Relay 230V	1	2	297005	217093	217093	217093	153833	153833
9	Capacitor & clamp Asm	1		006135	006135	006135	006135	006135	006135
10	Float,Plastic	1		094039	094039	094039	094039	094039	094039
11	Guide Asm,Fit Rod	1		001072	001072	001072	001072	001072	001072
12	Rod Asm,Fit	1		001043	001043	001043	001043	001043	001043
13	Housing,Mtr-&Str230/1P/1.5-2HP	1	1	005204	005204	005204	019234	019234	019234
14	• Bearing, Upper Sleeve	1		001012	001012	001012	NA	NA	NA
	• Bearing, Upper Ball			NA	NA	NA	006703	006703	006703
15	• Handle	1		217069	217069	217069	217069	217069	
16	Cord Term&Seal 20/230V/20a/A	1	3	005126	014331	014170	014170	014170	014170
17	Clamp,#6 Auto-SS	1	3	NA	NA	013764	013764	013764	013764
18	• Seal,Cord-Asm&Str Rif T&B 14ga	1	3	004375	004375	015634	015634	015634	015634
19	• Plug,Test-White	2		034090	034090	034090	034090	034090	034090
20	• Seal,Thru Wall Term	3		003402	003402	003402	003402	003402	003402
21	Rotor & Brg Asm 230/1P/1.5-2HP	1		005205	005205	005205	019225	019225	019225
22	• Bearing,Radial	1		001013	001013	001013	010069	010069	010069
23	• Seal,Mtr Hsg	1		001014	001014	001014	001014	001014	001014
24	• Oil, Dielectric	1		003168	003168	003168	011066	011066	011066
25	Adapter-Mach	1		001003	001003	001003	001003	001003	001003
26	• Seal,Shaft	1		002430	002430	002430	002430	002430	002430
27	Flange Pkg 2" Npt	1		10-1305	10-1305	10-1305	10-1305	10-1305	10-1305
	Flange Pkg 3" Npt			10-1306	10-1306	10-1306	10-1306	10-1306	10-1306
28	Impeller "295" Bronze	1		004173	004173	004173	004173	004173	154006
	Impeller "295" Cast iron			NA	NA	NA	NA	NA	154003
29	Housing,Pump-Mach	1		001005	001005	001005	001005	001005	001005
30	• Screw,#10-24 X.375 RHM-SI SS	2		001883	001883	001883	001883	001883	001883
31	• Screw,#6-32x.25RHM SI Tc Stlgr	5		001877	001877	001877	001877	001877	001877
32	• Screw,.25-20 X .75 HHm-SS	4		001916	001916	001916	001916	001916	001916
33	• Screw,#6-32x.438Rhsltp"1"Stlzi	2		004644	004644	004644	004644	004644	004644
34	• Screw,.5-13 X 2 HH Cap-SS	2		001909	001909	001909	001909	001909	001909
35	• Washer,SS-1.25"Odx.562"ldx.078	2		002115	002115	002115	002115	002115	002115
36	• Screw,.313-18 X 1"HH Cap-SS	4		002608	002608	002608	002608	002608	002608
37	• Screw,.25-20x1" HHm-SS	4		007790	007790	007790	007790	007790	007790
□	Rebuild Kit "189/295"	1		016103	016103	016103	019647	019647	019647

- Items included in Rebuild Kit.
- Not Shown in Illustration.

NOTES FOR MODEL H295:

- 1) Mtr. Hsg., Brg., Stator & Term. (Item 13) is preassembled at the factory and must be replaced as a unit. Stator is permanently attached to the Motor Housing. Plug (Item 19), Seal, Thru Wall Term. (Item 20) and Bearing - Upper (Item 14) are replaceable.
- 2) Relay "W1" and "W2" Series is not in pump but is in the high level control. See FM0456 "W1" Parts List or FM0457 "W2" Parts List for relay part number.
- 3) If an "X" follows Model No., or Date Mfg. on brass ID tag, consult factory for ordering of this part.
- 4) When ordering these parts, customer must identify if switch is a General Electric switch.
- 5) See FM0160 Parts Price Sheet for listing of parts prices.
- 6) "NA" indicates, not applicable.

REPLACEMENT PARTS LIST FOR MODEL "I295".

See page 4 for illustration.

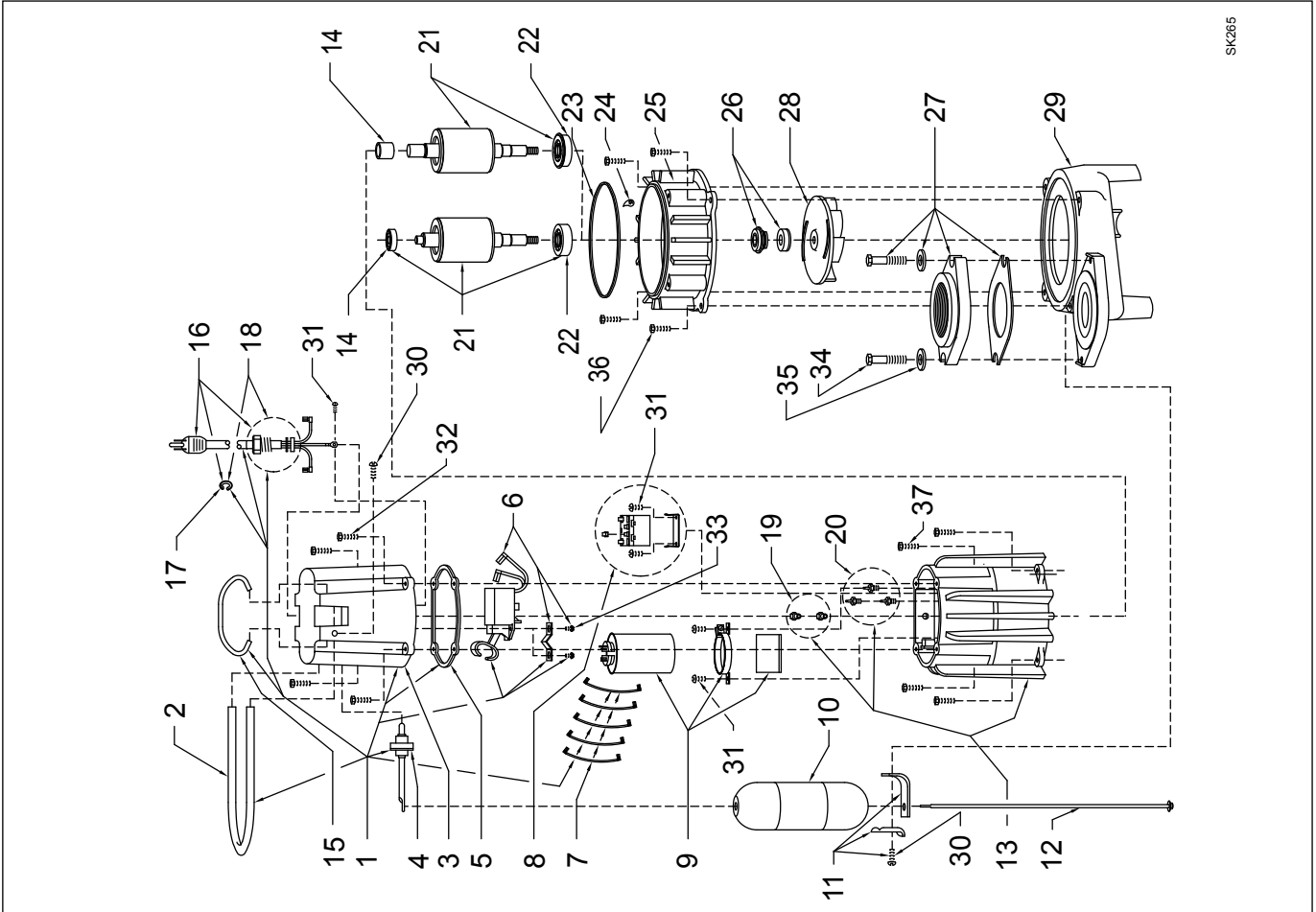
MODELS:				I295-A	I295-B	I295-C	I295-D	I295-E
REF. NO.	DESCRIPTION	QTY	NOTES	5/86 RS thru 8/86 US	9/86 VS thru 4/03	5/03 thru 5/08	6/08 thru 5/16	6/16 thru Current
1	• Handle	1		217069	217069	217069	217069	217069
2	Cover & Cord 230V/1P "189/295"	1	2	005129	014160	014160	014160	014160
3	Cover-Mach 14ga Cd	1	2	004372	004372	014150	014150	014150
4	• Gasket,Case/Cover	1		001011	001011	001011	001011	001011
5	• Wire Pkg(5)Wires 1.5/2 HP	1		004751	004751	004751	004751	004751
6	Capacitor & Clamp Asm	1		006135	006135	006135	006135	006135
7	Housing,Mtr-&Str230/1P/1.5-2HP	1	1	005204	005204	005204	019234	019234
8	Bearing,Upper Sleeve	1		001012	001012	001012	NA	NA
	• Bearing,Upper Ball			NA	NA	NA	006703	006703
9	Cord Term&Seal 20'/230V/20a/Na	1	2	005200	009685	014171	014171	014171
10	Clamp,#6 Auto-SS	1	2	NA	NA	013764	013764	013764
11	• Seal,Cord-Asm&Str Rlf T&B 14ga	1	2	004375	004375	015634	015634	015634
12	• Plug,Test-White	2		034090	034090	034090	034090	034090
13	• Seal,Thru Wall Term	3		003402	003402	003402	003402	003402
14	Rotor & Brg Asm 230/1P/1.5-2HP	1		005205	005205	005205	019225	019225
15	• Bearing,Radial	1		001013	001013	001013	010069	010069
16	• Seal,Mtr Hsg	1		001014	001014	001014	001014	001014
17	• Oil,Dielectric	1		003168	003168	003168	011066	011066
18	Adapter-Mach	1		001003	001003	001003	001003	001003
19	• Seal,Shaft	1		002430	002430	002430	002430	002430
20	Flange Pkg 2" Npt	1		10-1305	10-1305	10-1305	10-1305	10-1305
	Flange Pkg 3" Npt	1		10-1306	10-1306	10-1306	10-1306	10-1306
21	Impeller "295" Bronze	1		004173	004173	004173	004173	154006
	Impeller "295" Cast iron			NA	NA	NA	NA	154003
22	Housing,Pump-Mach	1		001005	001005	001005	001005	001005
23	• Screw,#6-32x.25RHM SI Tc Stlgr	3		001877	001877	001877	001877	001877
24	• Screw,#10-24 X.375 RHM-SI SS	1		001883	001883	001883	001883	001883
25	• Screw,.25-20 X .75 HHm-SS	4		001916	001916	001916	001916	001916
26	• Screw,.5-13 X 2 HH Cap-SS	2		001909	001909	001909	001909	001909
27	• Washer,SS-1.25"Odx.562"ldx.078	2		002115	002115	002115	002115	002115
28	• Screw,.313-18x1" HH Cap-SS	4		002608	002608	002608	002608	002608
29	• Screw,.25-20x1" HHm-SS	4		007790	007790	007790	007790	007790
▣	Rebuild Kit "189/295"	1		014193	014193	014193	019648	019648

- Items included in Rebuild Kit.
- ▣ Not Shown in Illustration.

NOTES FOR MODEL I295:

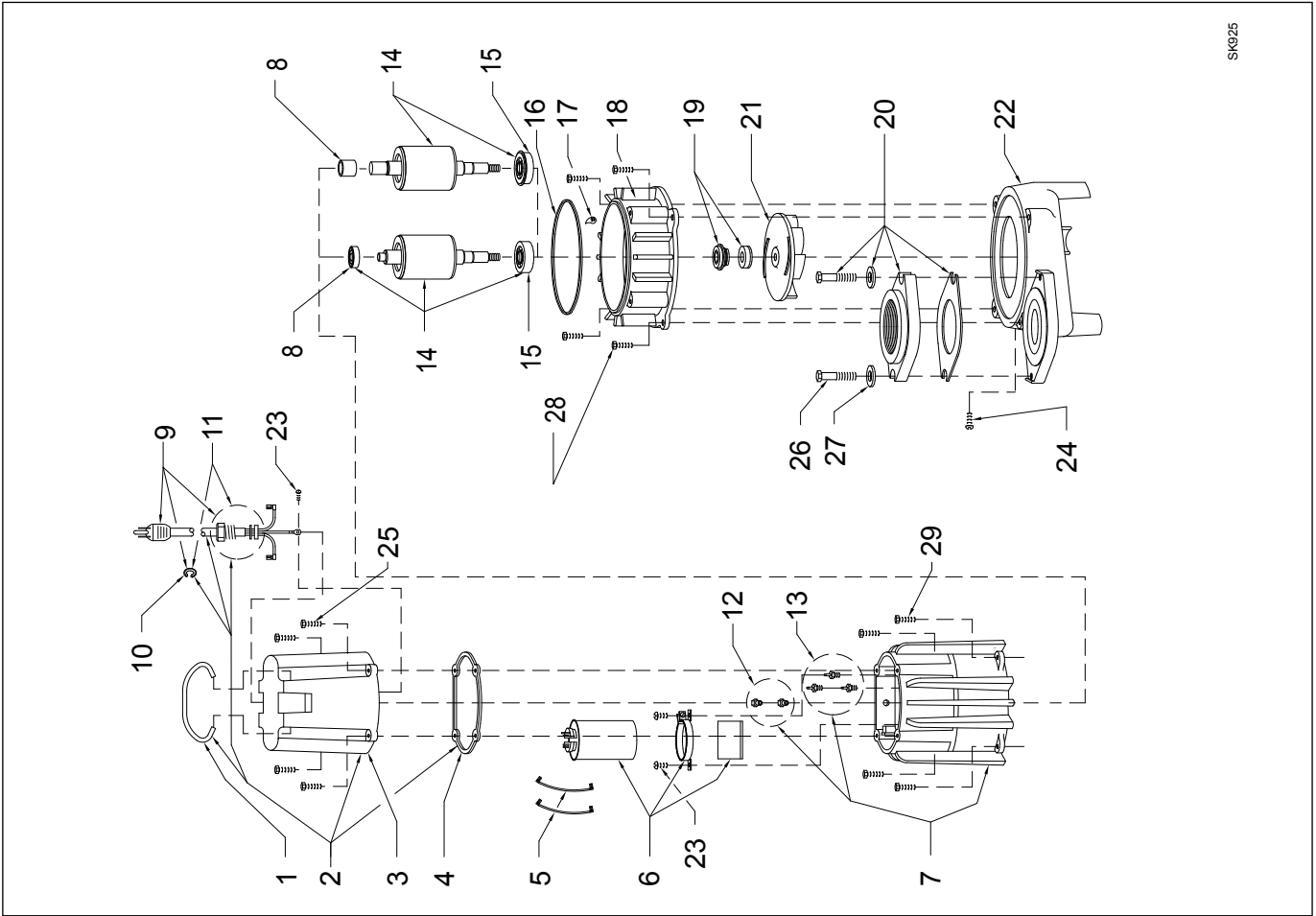
- 1) Mtr. Hsg., Brg., Stator & Term. (Item 7) is preassembled at the factory and must be replaced as a unit. Stator is permanently attached to the Motor Housing. Plug (Item 12), Seal, Thru Wall Term. (Item 13) and Bearing - Upper (Item 8) are replaceable.
- 2) If an "X" follows Model No., or Date Mfg. on brass ID tag, consult factory for ordering of this part.
- 3) See FM0160 Parts Price Sheet for listing of parts prices.
- 4) "NA" indicates, not applicable.

REPLACEMENT PARTS ILLUSTRATION FOR MODELS "H295".



SKK265

REPLACEMENT PARTS ILLUSTRATION FOR MODEL "I295".



SKK265

REPLACEMENT PARTS LIST FOR MODEL "J295".

See page 8 for illustration.

REF. NO.	DESCRIPTION	QTY	NOTES	MODELS:					
				J295-A	J295-B	J295-C	J295-D	J295-E	J295-F
				1/86 MS thru 8/86 US	9/86 VS thru 5/87 RT	6/87 VS thru 4/03	5/03 thru 5/08	6/08 thru 5/16	6/16 thru Current
1	• HANDLE	1		217069	217069	217069	217069	217069	217069
2	COVER & CORDAGE 14-4GA 20'	1	2	002963	002963	011641	014161	014161	014161
3	COVER-MACH	1	2	001077	001077	004372	014150	014150	014150
4	• GASKET, CASE/COVER	1		001011	001011	001011	001011	001011	001011
5	HOUSING,MTR-&STR.	1	1	005132	005132	005132	005132	019235	019235
6	BEARING, UPPER SLEEVE	1		001012	001012	001012	001012	NA	NA
	• BEARING, UPPER BALL			NA	NA	NA	NA	006703	006703
7	• CLAMP,STRAIN RELIEF-RED	1	2	001770	001770	NA	013764	013764	013764
8	CORDAGE TERM&SEAL 14-4GA 20'	1	2	005131	005131	011640	014177	014177	014177
9	• SEAL, CORD-ASM & STRAIN RELIEF	1	2	011656	011656	004375	015634	015634	015634
10	• PLUG,TEST-WHITE	2		034090	034090	034090	034090	034090	034090
11	• SEAL,THRU WALL TERM	3		003402	003402	003402	003402	003402	003402
12	ROTOR & BEARING	1		005133	005133	005133	005133	019226	019226
13	• BEARING,RADIAL	1		001013	001013	001013	001013	010069	010069
14	• SEAL, MTR HSG.	1		001014	001014	001014	001014	001014	001014
15	• OIL,DIELECTRIC	1		003168	003168	003168	003168	011066	011066
16	ADAPTER-MACH	1		001003	001003	001003	001003	001003	001003
17	• SEAL,SHAFT	1		002430	002430	002430	002430	002430	002430
18	IMPELLER BRONZE	1		005134	005134	005134	005134	005134	154007
	IMPELLER ASM "295" CAST IRON			NA	NA	NA	NA	NA	154004
19	FLANGE PKG 2" NPT	1		10-1305	10-1305	10-1305	10-1305	10-1305	10-1305
	FLANGE PKG 3" NPT			10-1306	10-1306	10-1306	10-1306	10-1306	10-1306
20	HOUSING,PUMP-MACH	1		001005	001005	001005	001005	001005	001005
21	• SCREW,#6-32X.25RHM SI Tc Stlgr	1		001877	001877	001877	001877	001877	001877
22	• SCREW,.25-20X.75 HHM-SS	4		001916	001916	001916	001916	001916	001916
23	• SCREW,.313-18X1"HH CAP-SS	4		002608	002608	002608	002608	002608	002608
24	• SCREW,.5-13X2"HH CAP-SS	2		001909	001909	001909	001909	001909	001909
25	• WASHER,SS-1.25" O.D. X .562 I.D.	2		002115	002115	002115	002115	002115	002115
26	• SCREW,#10-24X.375 RHM-SI SS	1		001883	001883	001883	001883	001883	001883
27	• SCREW,.25-20 X 1" HHM-SS	4		007790	007790	007790	007790	007790	007790
28	NUT,7/16-20 ACORN SS	1		004351	004351	004351	004351	004351	004351
▣	REBUILD KIT -NA 3PH "160/180/290"	1		014193	014193	014193	014193	019648	019648

• Items included in Rebuild Kit. ▣ Not Shown in Illustration.

NOTES FOR MODEL J295:

- 1) Mtr. Hsg., Brg., Stator & Term. (Item 5) are preassembled at the factory and must be replaced as a unit. Stator is permanently attached to the Motor Housing. Plug (Item 10), Seal, Thru Wall Term. (Item 11) and Bearing - Upper (Item 6) are replaceable.
- 2) When ordering Mtr. Hsg., Brg., Stator & Term. or Rotor and Bearing, specify either GE or Emerson motor.
- 3) See FM0160 Parts Price Sheet for listing of parts prices.
- 4) "NA" indicates, not applicable.

REPLACEMENT PARTS LIST FOR MODEL "F295".

See page 8 for illustration.

REF. NO.	DESCRIPTION	QTY	NOTES	MODELS:					
				F295-A	F295-B	F295-C	F295-D	F295-E	F295-F
				1/86 MS thru 8/86 US	9/86 VS thru 5/87 RT	6/87 VS thru 4/03	5/03 thru 5/08	6/08 thru 5/16	6/16 thru Current
1	• HANDLE	1		217069	217069	217069	217069	217069	217069
2	COVER & CORDAGE 14-4GA 20'	1	2	002963	002963	011641	014161	014161	014161
3	COVER-MACH	1	2	001077	001077	004372	014150	014150	014150
4	• GASKET, CASE/COVER	1		001011	001011	001011	001011	001011	001011
5	HOUSING,MTR-&STR.	1	1	005136	005136	005136	005136	019236	019236
6	BEARING, UPPER SLEEVE	1		001012	001012	001012	001012	NA	NA
	• BEARING, UPPER BALL		NA	NA	NA	NA	006703	006703	
7	• CLAMP,STRAIN RELIEF-RED	1	2	001770	001770	NA	013764	013764	013764
8	CORDAGE TERM&SEAL 14-4GA 20'	1	2	005131	005131	011640	014177	014177	014177
9	• SEAL, CORD-ASM & STRAIN RELIEF	1	2	011656	011656	004375	015634	015634	015634
10	• PLUG,TEST-WHITE	2		034090	034090	034090	034090	034090	034090
11	• SEAL,THRU WALL TERM	3		003402	003402	003402	003402	003402	003402
12	ROTOR & BEARING	1		005133	005133	005133	005133	019226	019226
13	• BEARING,RADIAL	1		001013	001013	001013	001013	010069	010069
14	• SEAL, MTR HSG.	1		001014	001014	001014	001014	001014	001014
15	• OIL,DIELECTRIC	1		003168	003168	003168	003168	011066	011066
16	ADAPTER-MACH	1		001003	001003	001003	001003	001003	001003
17	• SEAL,SHAFT	1		002430	002430	002430	002430	002430	002430
18	IMPELLER ASM "295" BRONZE	1		005134	005134	005134	005134	005134	154007
	IMPELLER ASM "295" CAST IRON		NA	NA	NA	NA	NA	154004	
19	FLANGE PKG 2" NPT	1		10-1305	10-1305	10-1305	10-1305	10-1305	10-1305
	FLANGE PKG 3" NPT		10-1306	10-1306	10-1306	10-1306	10-1306	10-1306	
20	HOUSING,PUMP-MACH	1		001005	001005	001005	001005	001005	001005
21	• SCREW,#6-32X.25RHM SI Tc Stlgr	1		001877	001877	001877	001877	001877	001877
22	• SCREW,.25-20X.75 HHM-SS	4		001916	001916	001916	001916	001916	001916
23	• SCREW,.313-18X1"HH CAP-SS	4		002608	002608	002608	002608	002608	002608
24	• SCREW,.5-13X2"HH CAP-SS	2		001909	001909	001909	001909	001909	001909
25	• WASHER,SS-1.25" O.D. X .562 I.D.	2		002115	002115	002115	002115	002115	002115
26	• SCREW,#10-24X.375 RHM-SI SS	1		001883	001883	001883	001883	001883	001883
27	• SCREW,.25-20 X 1" HHM-SS	4		007790	007790	007790	007790	007790	007790
28	NUT,7/16-20 ACORN SS	1		004351	004351	004351	004351	004351	004351
▣	REBUILD KIT -NA 3PH "160/180/290"	1		014193	014193	014193	014193	019648	019648

- Items included in Rebuild Kit.
- ▣ Not Shown in Illustration.

NOTES FOR MODEL F295:

- 1) Mtr. Hsg., Brg., Stator & Term. (Item 5) are preassembled at the factory and must be replaced as a unit. Stator is permanently attached to the Motor Housing. Plug (Item 10), Seal, Thru Wall Term. (Item 11) and Bearing - Upper (Item 6) are replaceable.
- 2) When ordering Mtr. Hsg., Brg., Stator & Term. or Rotor and Bearing, specify either GE or Emerson motor.
- 3) See FM0160 Parts Price Sheet for listing of parts prices.
- 4) "NA" indicates, not applicable.

REPLACEMENT PARTS LIST FOR MODELS "G295" and "BA295".

See page 8 for illustration.

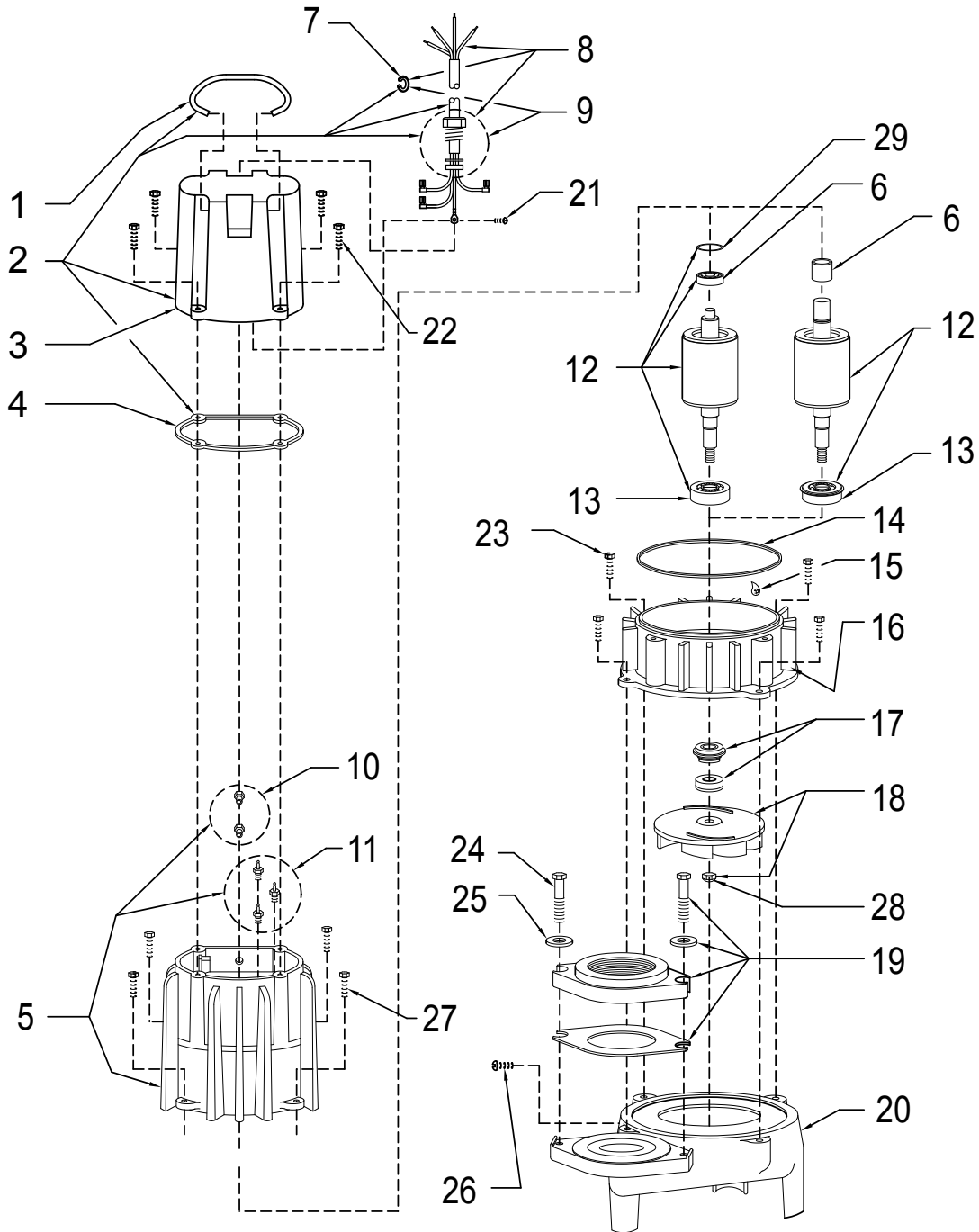
REF. NO.	DESCRIPTION	QTY	NOTES	MODELS:			G295-D	BA295-A	BA295-B	BA295-C
				G295-A	G295-B	G295-C				
				1/86 MS thru 8/86 US	9/86 VS thru 5/08	6/08 thru 5/16	6/16 thru Current	9/90 thru 5/08	6/08 thru 5/16	6/16 thru Current
1	• HANDLE	1		217069	217069	217069	217069	217069	217069	217069
2	COVER & CORDAGE 14-4GA 20'	1	2	002963	002963	002963	002963	002963	002963	002963
3	COVER-MACH	1	2	001077	001077	001077	001077	001077	001077	001077
4	• GASKET, CASE/COVER	1		001011	001011	001011	001011	001011	001011	001011
5	HOUSING,MTR-&STR.	1	1	004578	004578	019237	019237	006288	019238	019238
6	BEARING, UPPER SLEEVE	1		001012	001012	NA	NA	001012	NA	NA
	• BEARING, UPPER BALL			NA	NA	006703	006703	NA	006703	006703
7	• CLAMP,STRAIN RELIEF-RED	1	2	001770	001770	001770	001770	001770	001770	001770
8	CORDAGE TERM&SEAL 14-4GA 20'	1	2	005131	005131	005131	005131	005131	005131	005131
9	• SEAL, CORD-ASM & STRAIN RELIEF	1	2	011656	011656	011656	011656	011656	011656	011656
10	• PLUG,TEST-WHITE	2		034090	034090	034090	034090	034090	034090	034090
11	• SEAL,THRU WALL TERM	3		003402	003402	003402	003402	003402	003402	003402
12	ROTOR & BEARING	1		005133	005133	019226	019226	005133	019226	019226
13	• BEARING,RADIAL	1		001013	001013	010069	010069	001013	010069	010069
14	• SEAL, MTR HSG.	1		001014	001014	001014	001014	001014	001014	001014
15	• OIL,DIELECTRIC	1		003168	003168	011066	011066	003168	011066	011066
16	ADAPTER-MACH	1		001003	001003	001003	001003	001003	001003	001003
17	• SEAL,SHAFT	1		002430	002430	002430	002430	002430	002430	002430
18	IMPELLER ASM "295" BRONZE	1		005134	005134	005134	154007	005134	005134	154007
	IMPELLER ASM "295" CAST IRON			NA	NA	NA	154004	NA	NA	154004
19	FLANGE PKG 2" NPT	1		10-1305	10-1305	10-1305	10-1305	10-1305	10-1305	10-1305
	FLANGE PKG 3" NPT			10-1306	10-1306	10-1306	10-1306	10-1306	10-1306	10-1306
20	HOUSING,PUMP-MACH	1		001005	001005	001005	001005	001005	001005	001005
21	• SCREW,#6-32X.25RHM SI Tc Stlgr	1		001877	001877	001877	001877	001877	001877	001877
22	• SCREW,.25-20X.75 HHM-SS	4		001916	001916	001916	001916	001916	001916	001916
23	• SCREW,.313-18X1"HH CAP-SS	4		002608	002608	002608	002608	002608	002608	002608
24	• SCREW,.5-13X2"HH CAP-SS	2		001909	001909	001909	001909	001909	001909	001909
25	• WASHER,SS-1.25" O.D. X .562 I.D.	2		002115	002115	002115	002115	002115	002115	002115
26	• SCREW,#10-24X.375 RHM-SI SS	1		001883	001883	001883	001883	001883	001883	001883
27	• SCREW,.25-20 X 1" HHM-SS	4		007790	007790	007790	007790	007790	007790	007790
28	NUT,7/16-20 ACORN SS	1		004351	004351	004351	004351	004351	004351	004351
▣	REBUILD KIT -NA 3PH "160/180/290"	1		014193	014193	019648	019648	014193	019648	019648

- Items included in Rebuild Kit.
- ▣ Not Shown in Illustration.

NOTES FOR MODEL G295 and BA295:

- 1) Mtr. Hsg., Brg., Stator & Term. (Item 5) are preassembled at the factory and must be replaced as a unit. Stator is permanently attached to the Motor Housing. Plug (Item 10), Seal, Thru Wall Term. (Item 11) and Bearing - Upper (Item 6) are replaceable.
- 2) When ordering Mtr. Hsg., Brg., Stator & Term. or Rotor and Bearing, specify either GE or Emerson motor.
- 3) See FM0160 Parts Price Sheet for listing of parts prices.
- 4) "NA" indicates, not applicable.

REPLACEMENT PARTS ILLUSTRATION FOR MODELS "J295", "F295", "G295" and "BA295".



SK1285



PUMP COMPANY

MAIL TO: P.O. BOX 16347 • Louisville, KY 40256-0347
 SHIP TO: 3649 Cane Run Road • Louisville, KY 40211-1961
 (502) 778-2731 • 1 (800) 928-PUMP • FAX (502) 774-3624

Your Peace of Mind is Our Top Priority®

visit our web site:
www.zoeller.com