

Trusted. Tested. Tough.®



MAIL TO: P.O. BOX 16347 • Louisville, KY 40256-0347
 SHIP TO: 3649 Cane Run Road • Louisville, KY 40211-1961
 Tel: (502) 778-2731 • 1 (800) 928-PUMP

SECTION: 2.35.010

FM2811

0124

Supersedes

0823

Visit our website:
 zoellerpumps.com

Product information presented here reflects conditions at time of publication. Consult factory regarding discrepancies or inconsistencies.

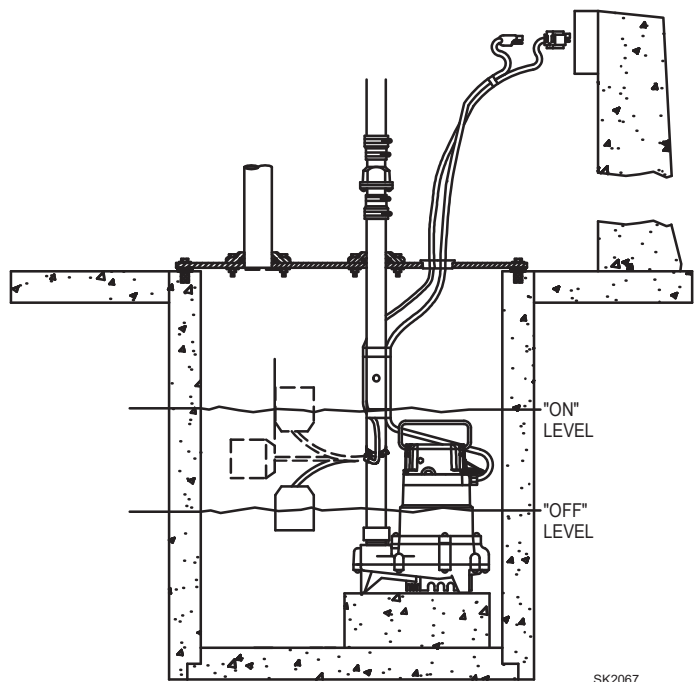
TECHNICAL DATA SHEET

2000 HIGH-TEMPERATURE SERIES

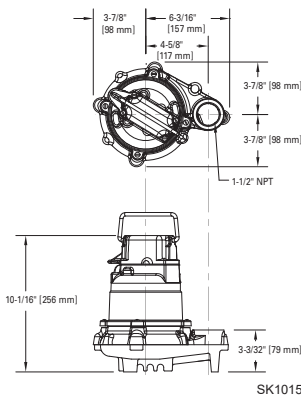
Models 2057, 2098, 2137, 2282 Submersible Dewatering Pumps
 Intermittent use up to 200 °F (93 °C).

PUMP SPECIFICATIONS

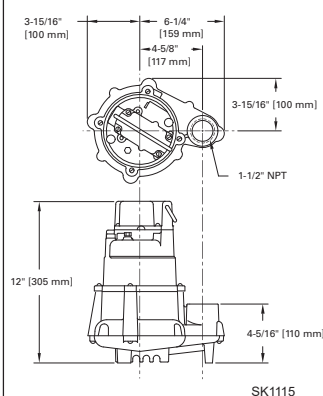
MOTOR	Horse Power	1/3 - 1/2
	Voltage	115 or 230
	Phase	1 Ph
	Hertz	60
	RPM	1725
	Amps	4.7 - 10.7
PUMP	Operation	Automatic
	Auto On / Off	Varies based on package
	Discharge Size	1-1/2" - 3"
	Cord Length	15' (5 m) automatic models
	Cord Type	16-3 SJOW or SJOOW cord
	Max. Operating Temp.	200 °F (93 °C)
	Cooling	Oil filled
MATERIALS	Motor Protection	High-temperature thermal overload
	Motor Housing	Cast iron
	Pump Housing	Cast iron
	Base	Cast iron
	Upper Bearing	Varies based on package
	Lower Bearing	Varies based on package
	Mechanical Seals	Carbon and NI-resist
	Impeller Type	Non-clogging vortex
	Impeller	Cast iron
	Hardware	Stainless steel
	Motor Shaft	AISI cold rolled steel
	Gasket	Neoprene



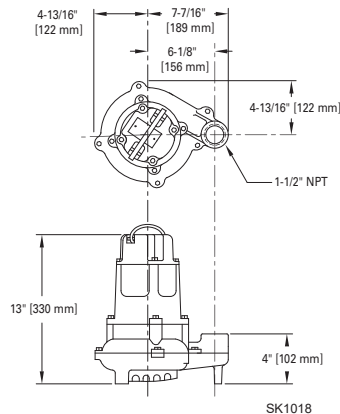
MODEL 2057



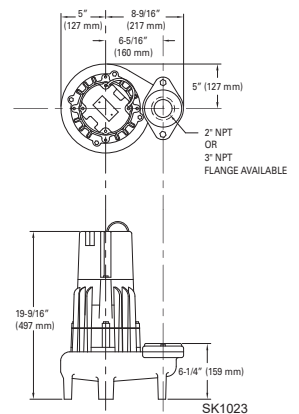
MODEL 2098



MODEL 2137



MODEL 2282



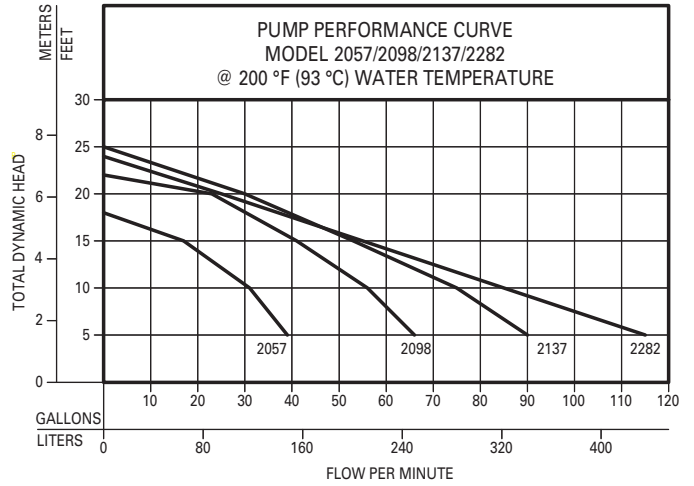
© Copyright 2024 Zoeller® Co. All rights reserved.

502-778-2731 | 800-928-7867 | 3649 Cane Run Road | Louisville, KY 40211-1961 | zoeller.com

TOTAL DYNAMIC HEAD FLOW PER MINUTE

MODEL		2057		2098		2137		2282	
Feet	Meters	Gal.	Liters	Gal.	Liters	Gal.	Liters	Gal.	Liters
5	1.5	39	148	66	250	90	341	115	435
10	3.0	31	117	56	212	75	284	85	322
15	4.6	17	64	41	155	53	201	55	208
20	6.1	--	--	23	87	30	114	25	95
Shut-off Head:		18 ft.(5.5m)		22 ft.(6.7m)		25 ft.(7.6m)		24 ft.(7.3m)	

- 10' (3 m) cord, high temperature, adjustable, float-operated, mechanical switch mounts directly to the discharge pipe (BN & BE Models)
- Adjustable float switch is not intended for continuous contact with 200 °F (93 °C) water



009789

Model	MODEL COMPARISON							
	Mode	Volts	Ph	Amps	HP	Hz	Lbs	Kg
BN2057	Auto	115	1	9.7	1/3	60	28	13
BE2057	Auto	230	1	4.8	1/3	60	28	13
BN2098	Auto	115	1	9.4	1/2	60	39	18
BE2098	Auto	230	1	4.7	1/2	60	39	18
BN2137	Auto	115	1	10.7	1/2	60	46	21
BE2137	Auto	230	1	5.8	1/2	60	46	21
BN2282	Auto	115	1	10.3	1/2	60	84	38
BE2282	Auto	230	1	5.0	1/2	60	84	38

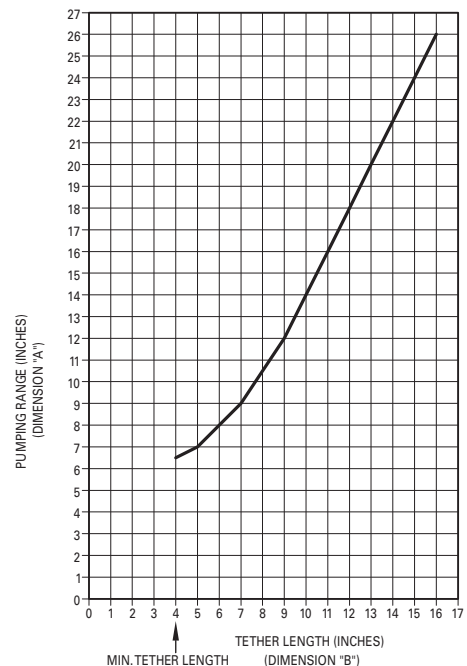
CAUTION All installation of controls, protection devices and wiring should be done by a qualified licensed electrician. All electrical and safety codes should be followed including the most recent National Electrical Code (NEC) and the Occupational Safety and Health Act (OSHA).

SWITCH DATA

- 16-gauge, 2 conductor SOOW switch cordage
- Float housing constructed of high-impact ABS
- 13 AMPS (max) steady state
- Intermittent, direct contact with up to 200 °F (93 °C) water
- Turbulence-resistant float switch
- Adjustable pumping range (see chart)
- Unlimited, repetitive exposures are permissible for applications below 180 °F (82 °C)

Tether "B"	Range "A"
4" (10.2 cm)	6.5" (16.5 cm)
6" (15.2 cm)	8" (20.3 cm)
8" (20.3 cm)	10.5" (26.7 cm)
10" (25.4 cm)	14" (35.6 cm)
12" (30.5 cm)	18" (45.7 cm)
14" (35.6 cm)	22" (55.9 cm)
16" (40.6 cm)	26" (66.0 cm)

SK2175B



SK2175A