

**Models: PF4NC2824SS, PF4NC2834SS, PF4NC2844SS, PF4NC3724SS, PF4NC3734SS, PF4NC3744SS, PF4NC3764SS, PF4NC5024SS, PF4NC5034SS, PF4NC5044SS, PF4NC5064SS**

**Features:**

Submersible solids handling sewage pump designed for typical raw sewage applications.

- **DISCHARGE:** 4" 125 lb., ANSI Flange, Horizontal
- **LIQUID TEMPERATURE:** 104°F
- **MOTOR HOUSING, VOLUTE & SEAL PLATE:** Cast Iron, Class 30
- **IMPELLER:** 2 vane open type with pump out vanes on back side, Dynamically balanced, ISO G6.3, Cast Iron, Class 30
- **SHAFT & HARDWARE:** Stainless steel
- **PAINT:** Air dry enamel
- **SQUARE RINGS:** Buna-N
- **SEAL:** Single mechanical, Inboard, Oil Filled reservoir, with Secondary Exclusion seal, Silicon Carbide/Buna-N, 1 inch
- **UPPER BEARING:** Single row, ball, oil lubricated
- **LOWER BEARING:** Single row, ball, oil lubricated
- **POWER CORD:**  
  - On **2.8 3Ph** - 25 Ft. SOW Cord, Pressure Grommet for Sealing and Strain Relief
  - All Others** - 25 Ft. SOW Cord. Epoxy sealed housing with secondary Pressure grommet for sealing and strain relief.
- **MOTOR:** Class B Insulation, Oil Filled
- **SINGLE PHASE:** Permanent Split Capacitor (PSC), Includes overload protection in motor
- **THREE PHASE:** 230/460 Volt. Dual Voltage. Requires overload protection to be included in control panel.
- **WARRANTY:** 1 year

 **WARNING: CANCER AND REPRODUCTIVE HARM-**  
[WWW.P65WARNINGS.CA.GOV](http://WWW.P65WARNINGS.CA.GOV)



**Submersible Solids Handling 4" Discharge, 3" Spherical Solids, Single Seal**

MODEL	HP	Volts/ Ph	NEMA START CODE	FULL LOAD AMPS	LOCKED ROTOR AMPS	CORD SIZE	CORD TYPE	CORD O.D.	SIMPLEX PANEL P/N	DUPLEX PANEL P/N
PF4NC2824SS	2.8	230/1	A	12.6	23.0	10/3	SOW	0.69	PF1033	PF2033
PF4NC2834SS	2.8	230/3	E	8.0	35.0	10/4	SOW	0.75	PF1034-O	PF2034-O
PF4NC2844SS	2.8	460/3	E	4.0	17.5	10/4	SOW	0.75	PF1035-O	PF2035-O
PF4NC3724SS	3.7	230/1	A	18.5	29.0	10/3	SOW	0.69	PF1043	PF2043
PF4NC3734SS	3.7	230/3	F	14.0	50.8	10/4	SOW	0.75	PF1044-O-20	PF2044-O-20
PF4NC3744SS	3.7	460/3	F	7.0	25.4	10/4	SOW	0.75	PF1045-O	PF2045-O
PF4NC3764SS	3.7	208/3	D	15.4	44.1	10/4	SOW	0.75	PF1042-O-20	PF2042-O-20
PF4NC5024SS	5.0	230/1	A	28.0	59.0	10/3	SOW	0.69	PF1053-40	PF2053-40
PF4NC5034SS	5.0	230/3	D	19.0	56.0	10/4	SOW	0.75	PF1054-O-20	PF2054-O-20
PF4NC5044SS	5.0	460/3	D	9.0	28.0	10/4	SOW	0.75	PF1055-O	PF2055-O
PF4NC5064SS	5.0	208/3	B	20.9	48.6	10/4	SOW	0.75	PF1052-O-25	PF2052-O-25



**Power-Flo Pumps & Systems**

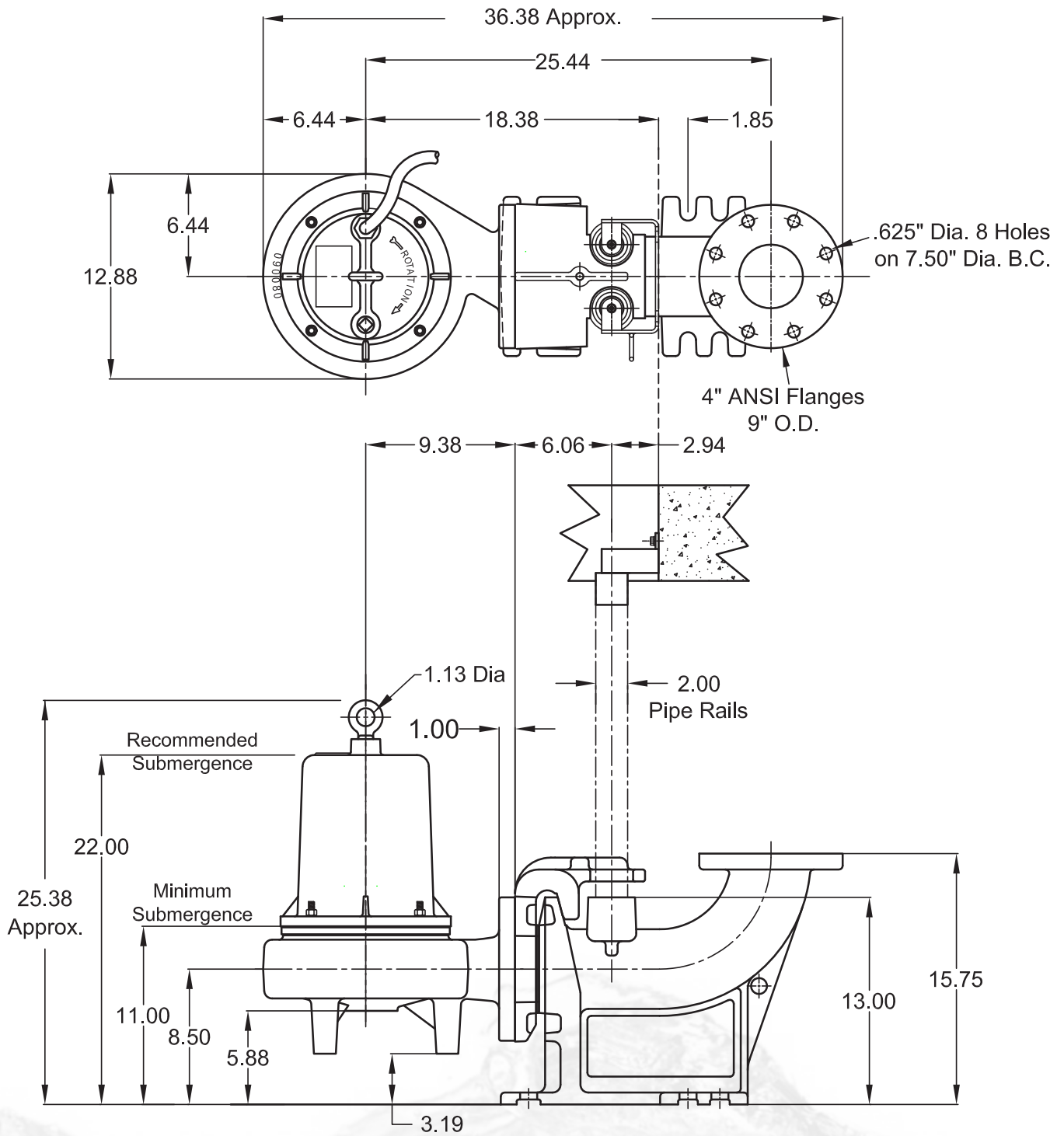
*a Power-Flo Technologies company*

877-24PUMPS • fax: 516-812-6897 • [www.powerflopumps.com](http://www.powerflopumps.com)

**4" Solids Handling Pumps - 2.8, 3.7 & 5HP - 1750RPM - 60Hz**

# 4" Solids Handling Pumps - 2.8, 3.7 & 5HP - 1750RPM - 60Hz

Models: PF4NC2834SS, PF4NC2844SS

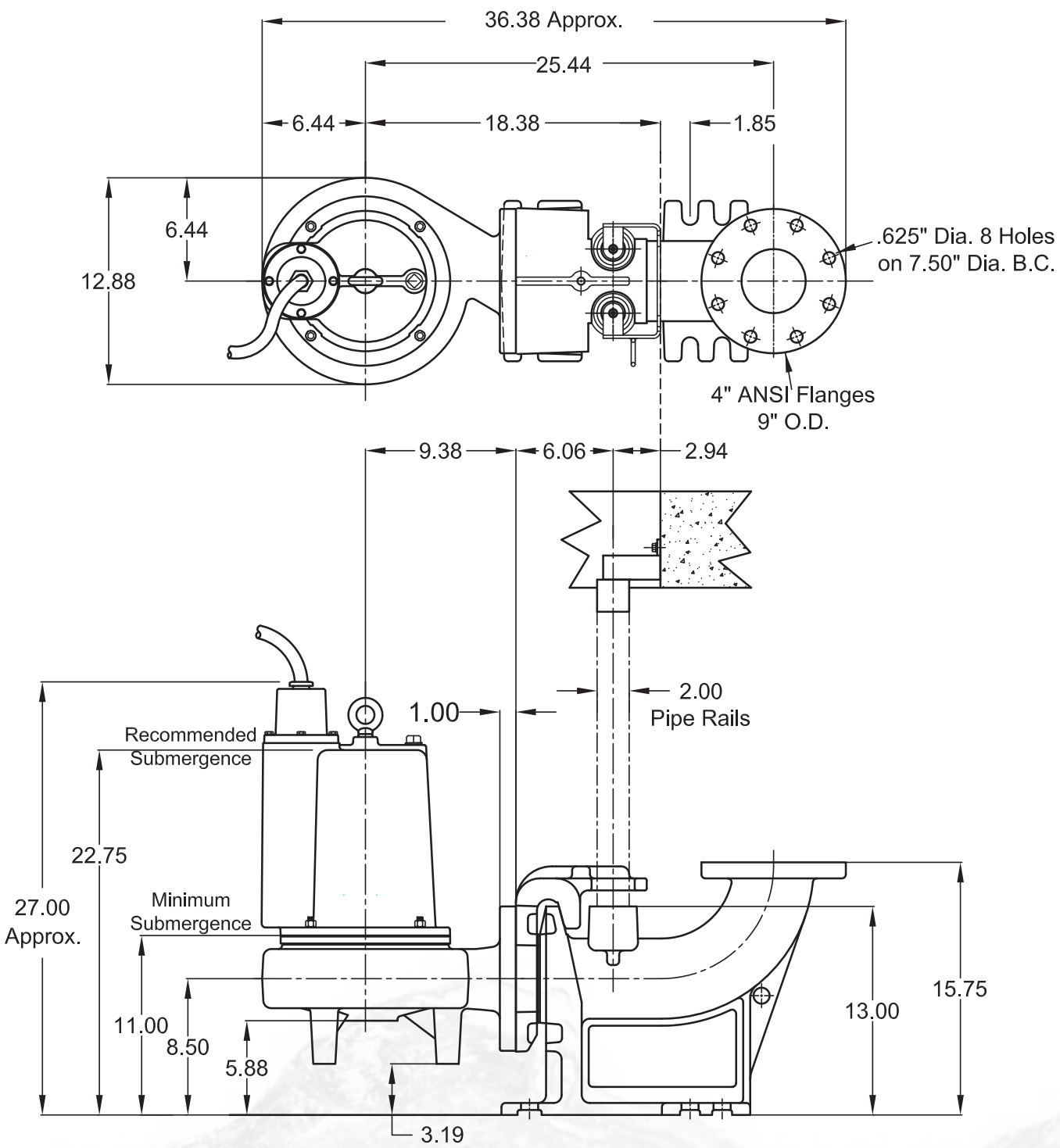


Pump shown with PF400SC Slide Coupling. Slide Coupling sold separately.



**Models: PF4NC2824SS, PF4NC3724SS, PF4NC3734SS, PF4NC3744SS,  
 PF4NC3764SS, PF4NC5024SS, PF4NC5034SS, PF4NC5044SS,  
 PF4NC5064SS**

**4" Solids Handling Pumps - 2.8, 3.7 & 5HP - 1750RPM - 60Hz**



**Pump shown with PF400SC Slide Coupling. Slide Coupling sold separately.**



**Power-Flo Pumps & Systems**  
 a Power-Flo Technologies company

877-24PUMPS • fax: 516-812-6897 • www.powerflopumps.com

Sect.  
 NC  
 Page  
 3  
 Rev.  
 02/2021

# 4" Solids Handling Pumps - 2.8, 3.7 & 5HP - 1750RPM - 60Hz

**Models: PF4NC2824SS, PF4NC2834SS, PF4NC2844SS, PF4NC3724SS, PF4NC3734SS, PF4NC3744SS, PF4NC3764SS, PF4NC5024SS, PF4NC5034SS, PF4NC5044SS, PF4NC5064SS**

