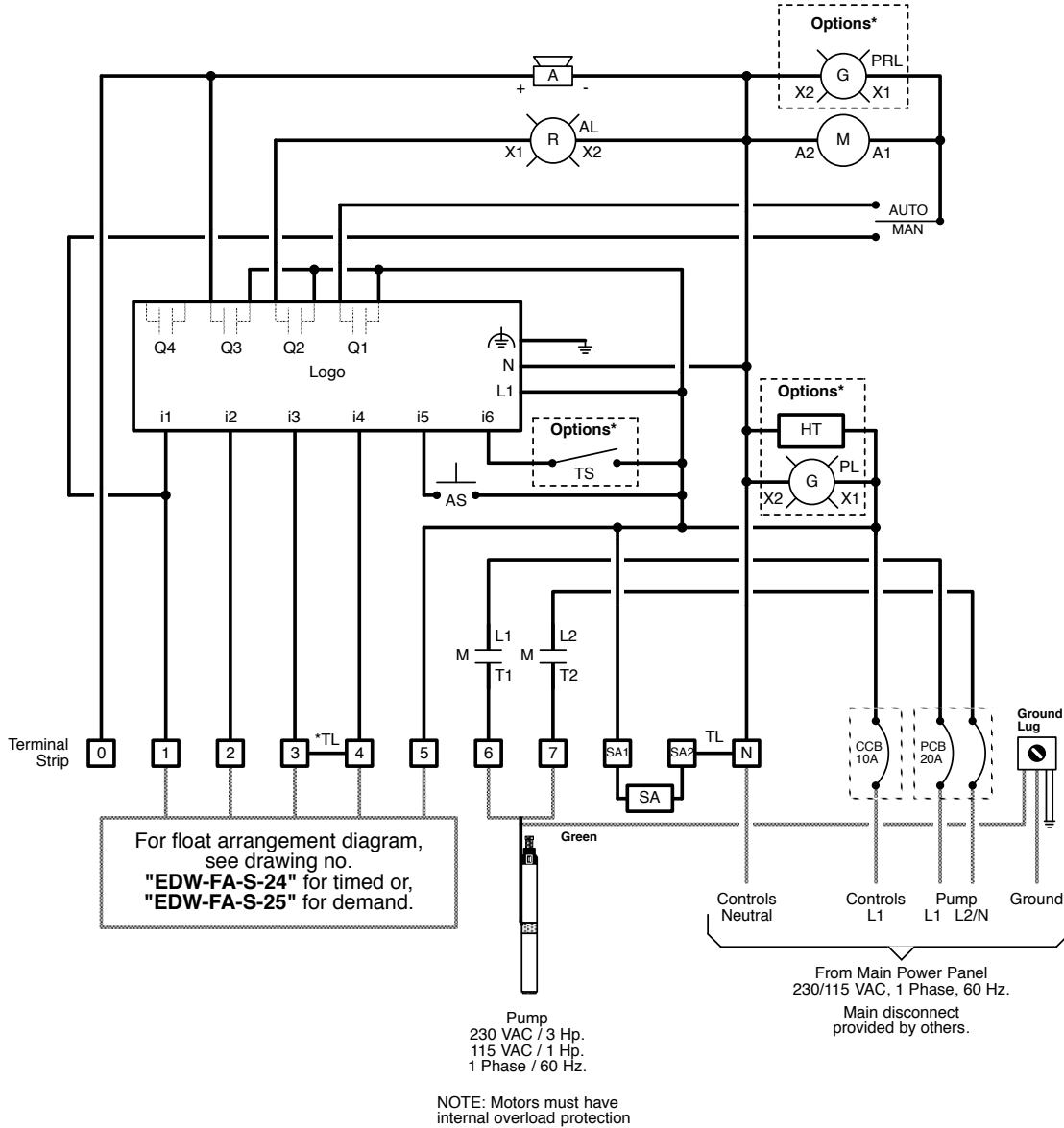
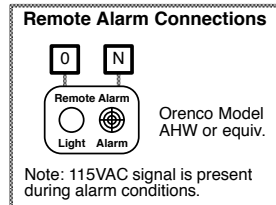
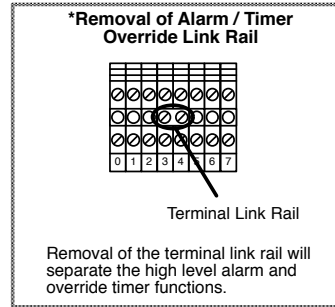


# Control Panel Wiring Diagram

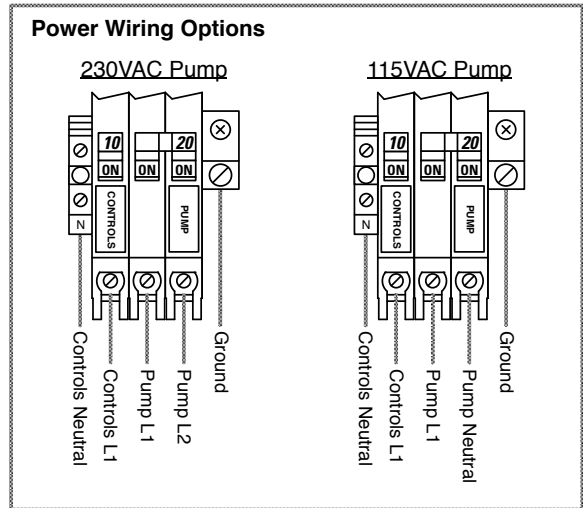
## Model MVP-S2 DM SA



For float arrangement diagram, see drawing no. "EDW-FA-S-24" for timed or, "EDW-FA-S-25" for demand.



For MVP-S DM operation description, see drawing no. "EIN-CP-OP-2036".



- Key**
- = Factory Wire
  - - - = Field Wire
  - · - · = Alternate Field Wire
  - A = Audio Alarm, 115 VAC
  - AL = Alarm Light
  - AS = Audio Silence Switch
  - CCB = Controls Circuit Breaker
  - Logo = Logic Module
  - M = Motor Contactor
  - PCB = Pump Circuit Breaker
  - SA = Surge Arrestor
  - TL = Terminal Link
- \*Options**
- HT = Heater
  - PL = Power Light
  - PRL = Pump Run Light
  - TS = Test Switch

814 AIRWAY AVENUE  
SUTHERLIN, OREGON  
97479  
TOLL FREE:  
(800) 348-9843  
TELEPHONE:  
(541) 459-4449  
FACSIMILE:  
(541) 459-2884  
WEB SITE:  
www.orenco.com