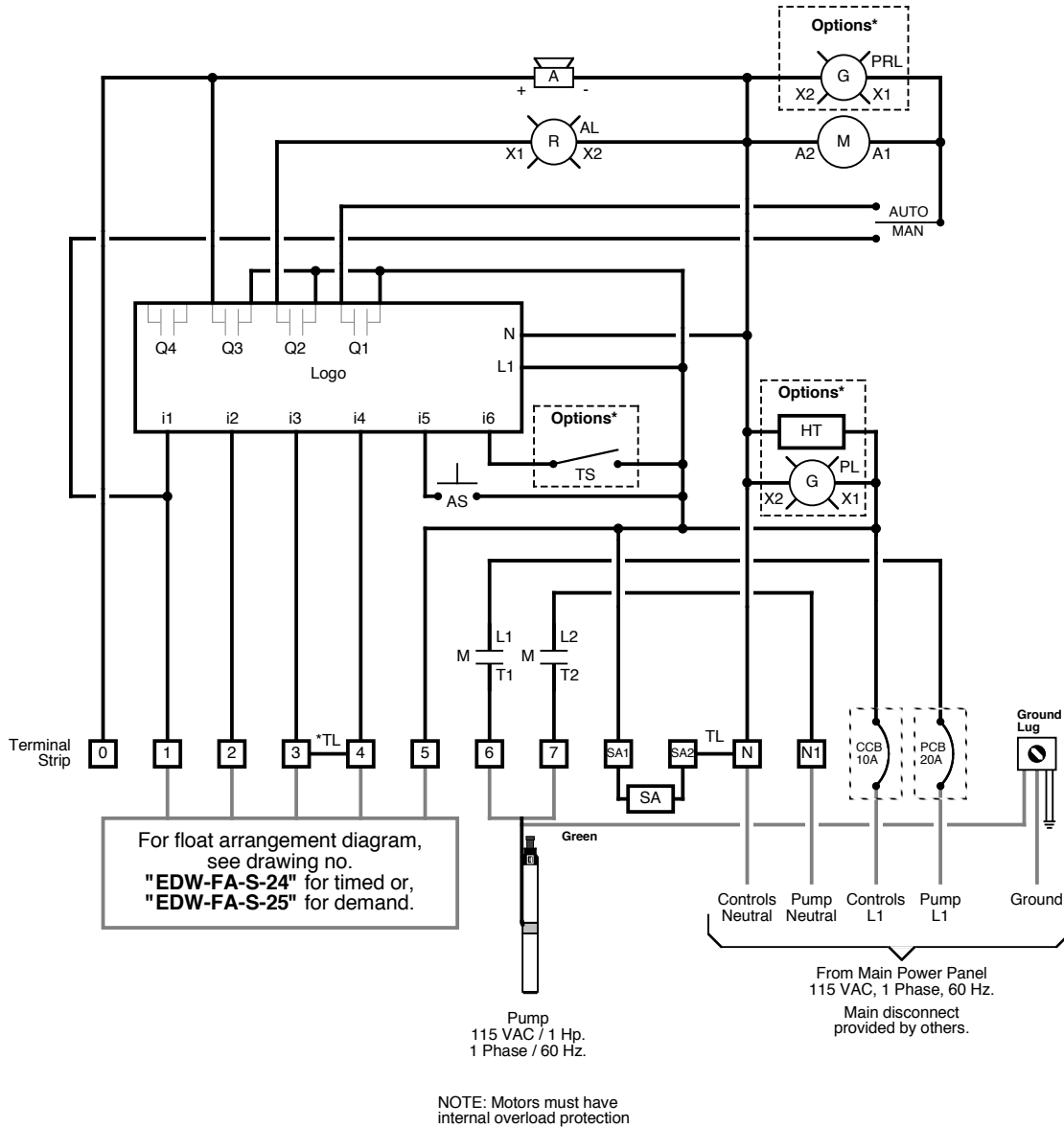
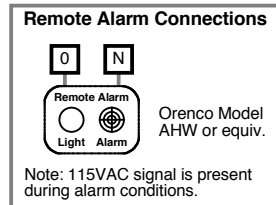
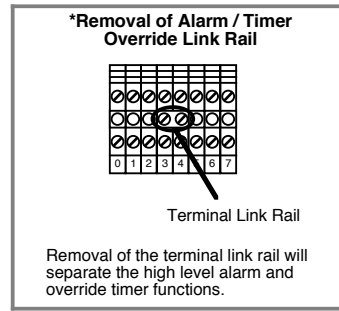


Control Panel Wiring Diagram

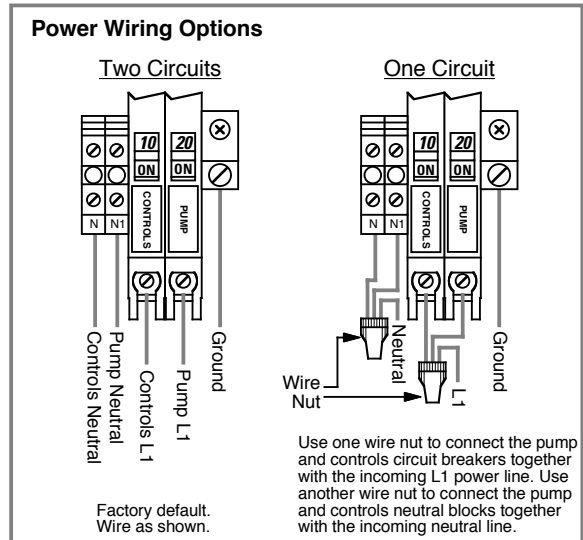
Model MVP-S1 DM SA



For float arrangement diagram, see drawing no. "EDW-FA-S-24" for timed or, "EDW-FA-S-25" for demand.



For MVP-S DM operation description, see drawing no. "EIN-CP-OP-2036".



- ### Key
- = Factory Wire
 - - - = Field Wire
 - · - · = Alternate Field Wire
 - A = Audio Alarm, 115 VAC
 - AL = Alarm Light
 - AS = Audio Silence Switch
 - CCB = Controls Circuit Breaker
 - Logo = Logic Module
 - M = Motor Contactor
 - PCB = Pump Circuit Breaker
 - SA = Surge Arrestor
 - TL = Terminal Link
- ### *Options
- HT = Heater
 - PL = Power Light
 - PRL = Pump Run Light
 - TS = Test Switch

814 AIRWAY AVENUE
SUTHERLIN, OREGON
97479
TOLL FREE:
(800) 348-9843
TELEPHONE:
(541) 459-4449
FACSIMILE:
(541) 459-2884
WEB SITE:
www.orenco.com