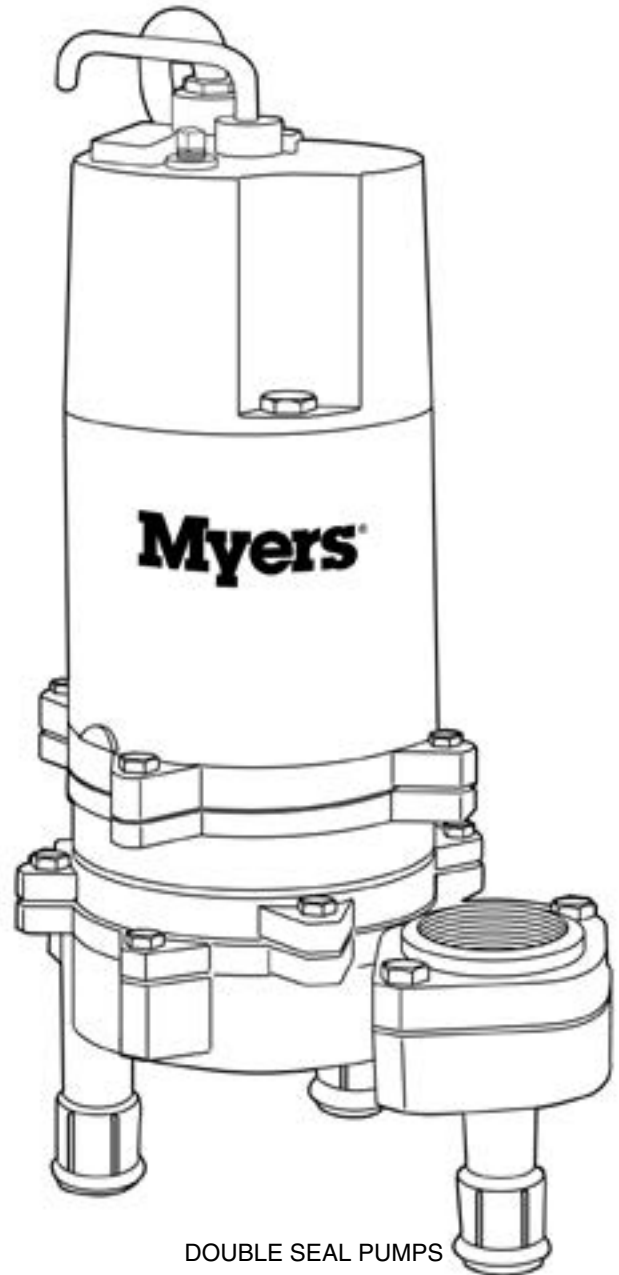
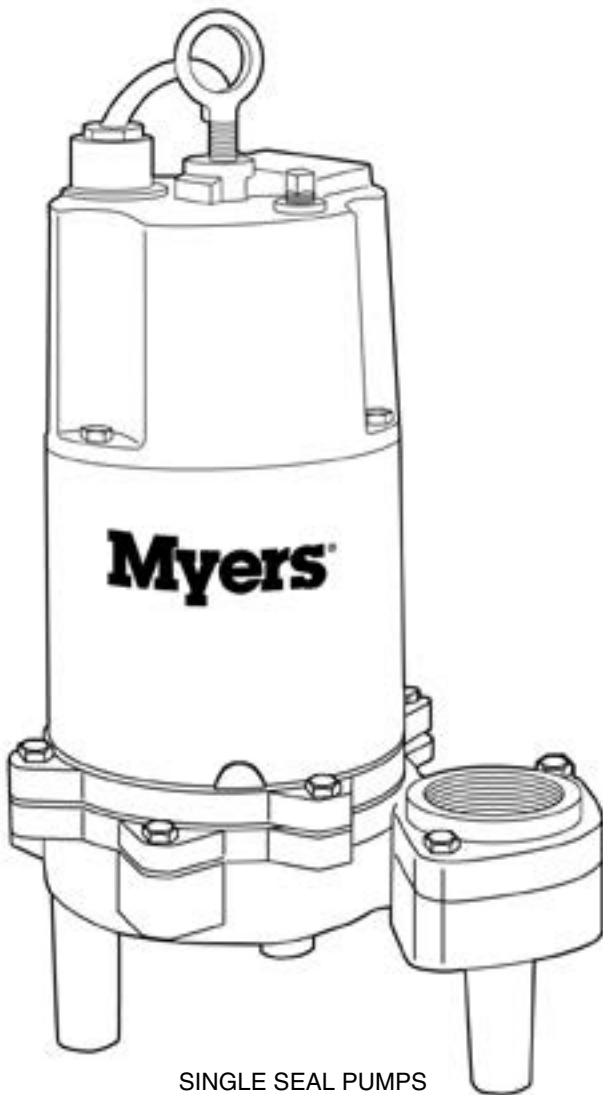
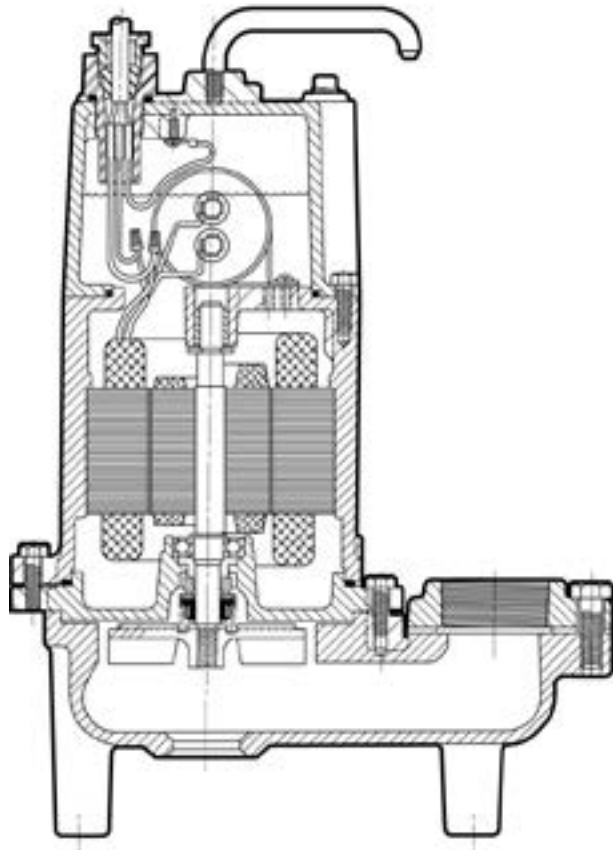


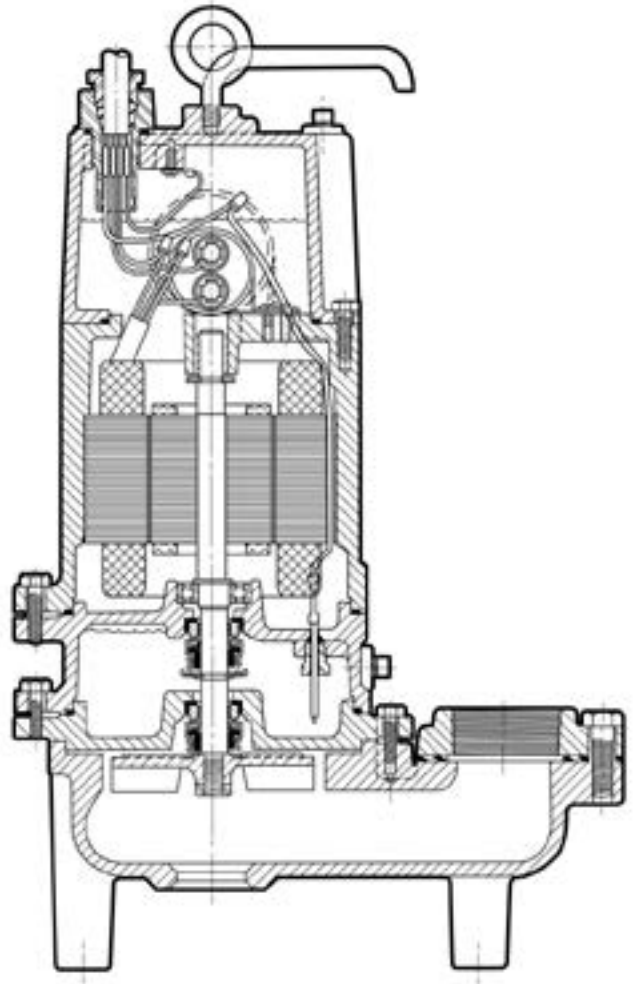
MYERS®

**TYPICAL SECTIONAL DRAWINGS
FOR WHR/WHRH AND WHRE
SINGLE AND DOUBLE SEAL WASTE HANDLING PUMPS**



**SINGLE SEAL
FIG. 1**

WHR
WHRH
WHRE



**DOUBLE SEAL
FIG. 2**

WHR-DS	WHR-SD L/D
WHRH-DS	WHRH-DS L/D
WHRE-DS	WHRE-DS L/D

GENERAL DESCRIPTION AND USES

The WHR and WHRH Series are solids handling pumps that can be used to pump RAW SEWAGE for COMMERCIAL and DOMESTIC use, but are not intended to handle large rags, mop heads, or strings. All pumps can be used for normal sump duty where extra capacity is required. The WHRE Series is for pumping sump water and EFFLUENT from septic tanks only. DO NOT USE FOR RAW SEWAGE.

RECESSED IMPELLERS

All of the pumps are of the recessed impeller type that provides a clear volute passage for solids as no solids pass through the impeller. All of the pumps listed can be used to pump septic tank EFFLUENT or GROUND sewage as used in some pressure sewer systems.

DESIGN OF PRESSURE SEWER SYSTEMS

MYERS has available complete computer SOFTWARE for designing PRESSURE SEWER SYSTEMS. This gives pipe sizes to use and gives exact flow from any pump or group of pumps in the system when operating simultaneously. This design DISK for IBM or COMPATIBLE computers is available to engineers on request.

DOUBLE SEAL PUMPS

All double seal models have two seals with an oil chamber between the seals so that seal faces of both lower and upper seals are oil lubricated for longer life and greater protection against water leaking into the motor windings. These double seal units are made with and without a seal leak probe. The leak probe in the oil seal chamber detects any water leakage into the chamber and turns on a red signal light in the control panel. Pumps should be removed from sump and seals replaced after seal light shows in the panel. Control panels must be used for pumps having the seal leak probe.

Double seal pumps without the seal leak probe, should be pulled and seal leak checked in 12 to 18 months.

LEVEL CONTROLS

All pumps must use sealed level control switches for automatic operation. MLC and MFLC controls have sealed mercury switches that are 1 H.P. rated at 230 volts. ALC and AWS-1 controls have sealed mechanical switches that are rated 2 H.P. at 230 volts.

Simplex single phase pumps can be made automatic by attaching MFLC or MLC controls to pump. These switches have a fixed draw off level of 8 to 10" and can be used up to 1 H.P. For higher H.P. ratings two mercury switch (or SMNO) controls with a magnetic starter can be used.

The ALC and AWS-1 controls can be used for simplex single phase pumps with ratings up to 2 H.P.

All duplex systems must use pilot mercury control sensor switches with control box and magnetic starters.

Plug in cords can be used on all the single phase pumps without seal leak detector. The cord has a GROUND pin that plugs into a grounded receptacle. The grounded receptacle cannot be used in the wet sump or basin due to DANGER of current leakage.

Sealed junction boxes must be used in wet sumps or basins to make connections to motor cord. The AWS-1 control also acts as a sealed junction box for connecting power cord to pump cord.

SAFETY WARNING

All pumps single or three phase must have a GROUND WIRE that is connected to a screw in the metal pump housing. This wire goes to the control box and is connected to a good outside GROUND such as a metal water pipe or GROUND STAKE driven at least 6 feet into the ground.

MOTOR TYPES

All single phase pump motors are of the permanent split capacitor type that do not require a start switch or start relay.

Automatic reset overload switches are attached directly to the motor windings.

Three phase pump motors require a magnetic starter with 3 leg overload protection.

INSTALLATION

Pumps can be installed inside sealed basin with proper venting for either simplex or duplex systems. SIMPLEX or DUPLEX basin systems are available. See Figs. 3 and 4.

It is not recommended that basins be used for RAW SEWAGE inside the home, but are for use in office buildings and small industrial buildings and factories.

Basins can be used inside the home where extra capacity sump pumps are required for water softeners and wash water.

If raw sewage must be pumped in the home use outside basins that connect with pressure sewer mains or gravity sewers, or run to septic tanks.

If an inside basin is used it is usually installed at time of pouring the concrete floor.

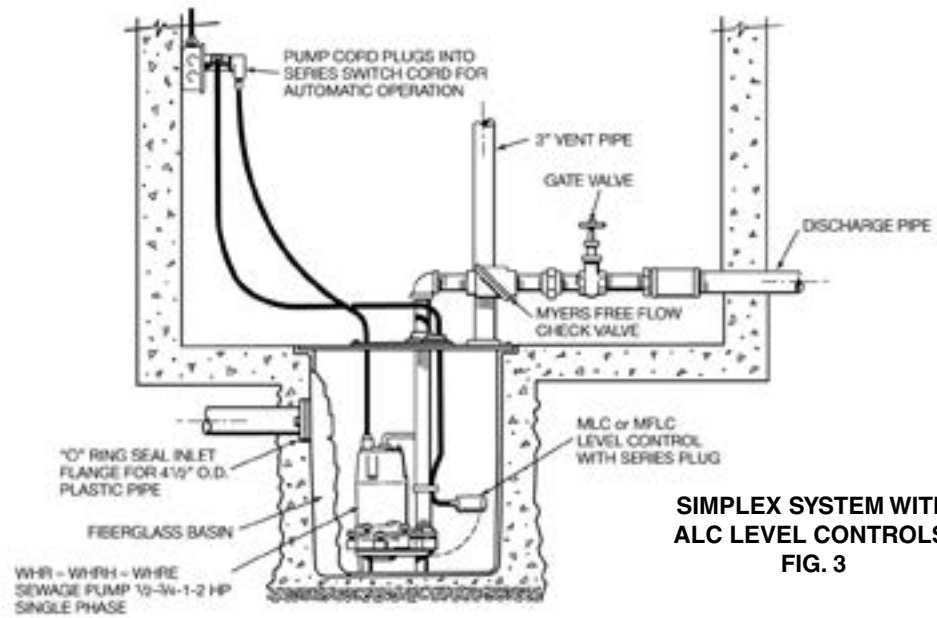
Pumps can be installed in a compartment of septic tanks for pumping to pressure sewer mains, gravity sewers, leach fields, or evaporation mounds. See Figs. 5, 6 and 7.

PROPER VENTING FOR BASINS INSTALLED INSIDE

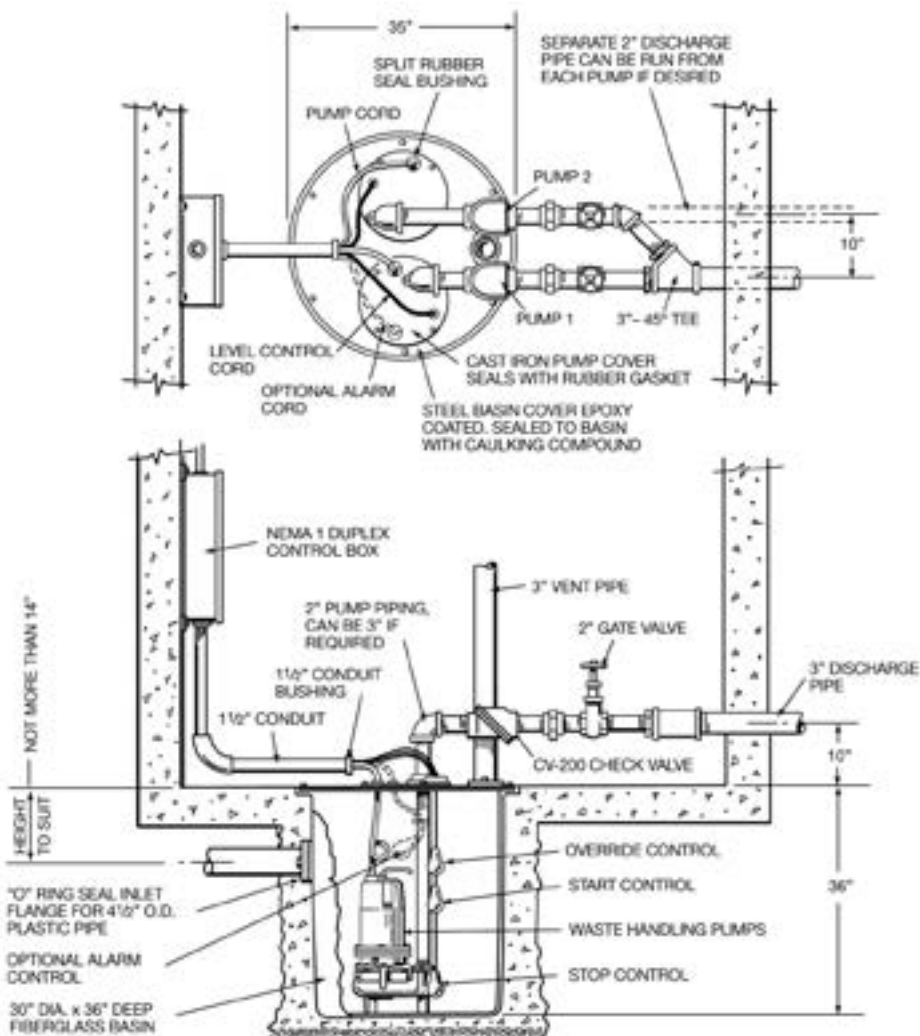
All inside sealed basins must have a 2" or 3" vent pipe installed in accordance with local codes. Sumps for handling softener water, wash or drainage water do not have to be sealed or vented.

Outside basins are usually of fiberglass and from 4 to 8 feet deep and have a sealed cover. Pump is usually installed with a lift out rail system so that pump can be removed without disturbing the discharge piping. The check valve comes out with pump for servicing. Complete LIFT OUT SYSTEMS mounted in fiberglass basins are available to meet customer's specifications.

▲ WARNING Sump basin must be vented in accordance with local plumbing codes. These pumps are not designed for and CANNOT be installed in locations classified as hazardous in accordance with the National Electric Code ANSI/NFPA 70.



SIMPLEX SYSTEM WITH ALC LEVEL CONTROLS.
FIG. 3



DUPLEX SYSTEM WITH MERCURY FLOAT OR SMNO CONTROLS AND REMOTE CONTROL BOX.
FIG. 4

PIPING

Pumps are fitted with 2" or 3" female threaded pipe flange. Galvanized or PVC plastic pipe can be used. Plastic pipe is preferred for raw sewage or septic tank effluent.

CHECK VALVES AND SHUT-OFF VALVES

All pumps must have check valves and shut-off valves in the discharge line. Check valves must be flapper type with outside spring or ball type. Shutoff valves can be ball or gate type. Plastic construction for both check and shut-off valves is preferred.

STARTING SIMPLEX SYSTEMS

1. For single phase pumps with MLC or MFLC control, plug cords piggy back into receptacle and run water into sump until pump starts. Allow pump to make several on/off cycles. Leave power cord plugged in. If pump runs but does not pump it may be air locked. Unplug cord and crack union in the discharge line then restart pump, this should vent off any trapped air. Re-tighten union.
2. With 2 "mercury" controls turn on power at the control box and run water into sump. When level gets above top control pump should start and continue to pump until level drops to lower control stopping pump. Run pump through several cycles. If pump runs but does not pump, check air lock as in 1. Leave power on for automatic operation.
3. Where ALCL or AWS-1 controls are used plug in cord or turn on power and run water into sump, when level is about half way up on upper weight pump should start and run until level drops until about half the lower weight is above water, stopping pump. Check 1, if pump does not operate properly. For all cases if motor does not start when water level is up check for proper plug in or that start switch is on, or if fuse is blown. ALWAYS HAVE ELECTRICIAN MAKE ELECTRICAL CHECKS.

STARTING PUMP "WHE-P" (AUTOMATIC) USING MECHANICAL SWITCH WITH SERIES PLUG-SIMPLEX SYSTEM

1. These pumps have a mechanical (mercury-free) float switch with a 20 ft. cord and 115 volt or 230 volt series piggy-back plug on ½ H.P. with switch mounted to the pump. On ¾ H.P. and 1 H.P., it requires 20 ft. cord and 230 volt only.
2. Plug the switch cord plug into a proper voltage properly grounded outlet.
3. Plug the pump power cord into the back of the switch cord series plug.
4. Tape the cords to the discharge pipe every 12"
5. Run water into sump until pump starts. Be sure discharge line valve is open.
6. Allow pump to operate through several on/off cycles.
7. If pump does not operate properly, see trouble shooting service chart for remedy.

HOW TO SET CONTROLS AND START DUPLEX SYSTEMS

CONTROL BOX MUST BE USED ON ALL DUPLEX SYSTEMS

1. 4 "mercury" controls are used for duplex systems. Set turn-on control 6" to 8" above pumps. Set turn-off control

AIR LOCKING

A sump pump is said to be air locked if water traps in the pump and it cannot get out, thus preventing pump from operating. ALL MYERS SUMP PUMPS HAVE A SMALL AIR VENT HOLE IN THE IMPELLER CHAMBER TO LET OUT TRAPPED AIR. IF THIS HOLE BECOMES PLUGGED, PUMP MAY AIR LOCK. THIS USUALLY HAPPENS ON PUMPS THAT ARE USED MAINLY IN THE SEASONS. IN SUMMER MONTHS, THE PUMP MAY BE TURNED OFF AS SUMP WATER DRIED UP. WHEN PUMP IS TURNED ON AGAIN AND WATER COMES UP IN SUMP, THE AIR WILL TRAP IN PUMP IF NOT VENTED.

AS A SECONDARY PRECAUTION IN INSTALLATIONS OF THIS TYPE – 1/8" HOLE SHOULD BE DRILLED IN THE DISCHARGE PIPE BELOW THE CHECK VALVE. THE CHECK VALVE SHOULD BE 12 TO 18 INCHES ABOVE PUMP DISCHARGE. DO NOT PUT CHECK VALVE DIRECTLY INTO PUMP DISCHARGE OPENING.

In normal sumps where the pump is operating daily, air locking rarely occurs.

8" to 10" above bottom of sump. Set override control 6" to 8" above turn-on control. Set high level alarm control about 6" to 8" above override control. Mark all control cords so that they can be connected correctly in the control box. See Fig. 4.

2. Turn Hand-Off-Auto switches to OFF position and close circuit breaker.
3. Turn H-O-A switches to the AUTO position and run water into sump. When level floats up and activates the turn-on switch one pump should start and run, pump will continue to run until lower control is exposed stopping pump.
4. Run water into sump again and when level floats up turn-on control, opposite pump will start and run until level drops exposing lower control, stopping pump.
5. Run this test several times to be sure pumps are alternating properly.

LEVEL CONTROL SYSTEMS AVAILABLE

1. Simplex single phase packaged automatic system. This system has the MLC or MFLC mercury float switch attached directly to the pump. This system has a fixed pump-off level of 8" to 10" and is usually used for drainage water and is good up to and including 1 H.P.
2. Simplex single phase pumps can use the ALC or AWS-1 controls which are mounted separate from the pump. These controls can be used up to 2 H.P. motors. See Fig. 3
3. Simplex pumps can use two "mercury" controls mounted separate from the pump. These controls must be used with a control box and magnetic contactor. These controls can be spaced apart for any draw off level required and can be used for 2 H.P. or larger motors.
4. Duplex pump systems must use only the "mercury" controls with electrical control box. These control boxes mounted remote from the sump tank are generally of plastic construction for best corrosion resistance. See Fig. 4.

MOTOR OVERLOAD PROTECTION

All single phase motors have built-in automatic reset overload switches fastened directly to the motor windings.

All 3 phase motors must be installed with magnetic starters having 3 leg overload protection.

HOW TO SET CONTROLS AND START SIMPLEX SYSTEMS

1. Automatic systems – These systems have the MLC, MFLC, or ALC switches mounted on the pump, so pump is installed in the sump and motor cord is plugged into GROUNDED receptacle. For sealed sump cover, power cord is brought through a split rubber plug in the sump cover.
2. Where 2 “mercury” controls are used the turn on control is set 3” to 6” above top of motor, and the turn-off control is set about 6” to ** above bottom of sump. If a high level alarm control is used it is set about 6” above upper control. If sump depth will not allow these settings closer spacing can be used.
3. Where ALLC or AWS-1 controls are used the DISPLACEMENT WEIGHTS are set so that turnon weight is 4” to 6” above top of motor and lower weight is set about 6” above sump bottom.
4. Repeat this operation with one pump off which will duplicate a failed pump condition. When the level reaches the override control the pump that is turned on should start and run and pump down sump level.
5. To check high level alarm, again turn both switches to OFF and fill sump until level is above the alarm control. Turn switches to Auto position and ALARM BUZZER should sound and alarm light should come on. When level drops below the alarm control buzzer should stop.
6. If pumps operate as described then set both H-O-A to Auto and pumps are ready to operate automatically.
7. If pumps do not operate properly then check as described for simplex systems. See page. 13.

⚠ WARNING NEVER WORK ON PUMPS OR CONTROL BOXES UNTIL CIRCUIT BREAKERS ARE TURNED OFF.

Always have a qualified ELECTRICIAN make electrical connections and service checks.

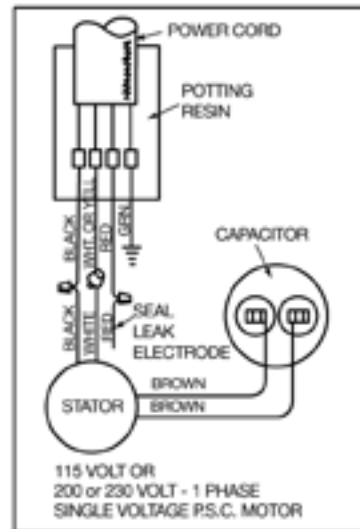
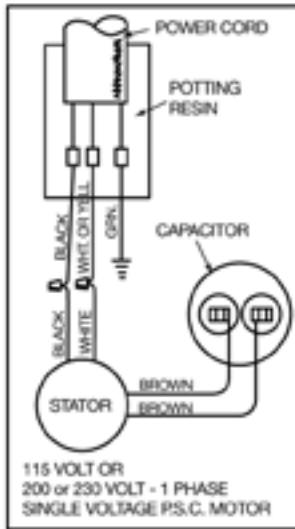
SPECIAL INSTRUCTIONS FOR THREE PHASE PUMPS

1. **⚠ WARNING** Only qualified persons shall conduct services and installations of this pump. The pump must be wired by a qualified electrician, using an approved starter box and switching device.
⚠ WARNING Risk of electric shock. Do not connect conduit to pump
2. Three phase pumps are always installed with control boxes having magnetic starters with 3 leg overload protection. **DO NOT TRY TO RUN THREE PHASE PUMPS DIRECTLY ACROSS THE LINE.**
3. To Connect Pump: Run wire from pump to the bottom of control box or appropriate junction box suitable for enclosing splice connections. A hole must be cut into the control box for the wires. With power to control box off, connect green (ground) line to ground lug. Connect black (power) wires to power lead terminals. Make sure that all wires are inside control box and not in a position to be pinched or shorted when the door is closed. See wiring diagrams, page 8.
4. All three phase motors can run either direction, ROTATION can be changed by interchanging any two line leads at magnetic starter. **BE SURE CIRCUIT BREAKER IS OFF BEFORE MAKING THIS CHANGE.** To find if rotation is correct operate pumps and check delivery operation. If flow and head is low (refer to pump curves shown in this manual) the rotation is wrong. With duplex pumps check operation of both pumps. All pump impellers either single or three phase must turn counterclockwise when looking into pump inlet. If uncertain of rotation, **TURN OFF POWER** and lift pump from basin with cord connected and lay pump on side so impeller can be seen. Turn on power and start pump using hand position of H-O-A switch. Turn on and off fast so that coast of impeller can be seen. **NEVER PUT HAND OR FINGERS ON THE IMPELLER.** Interchange any two line leads at the magnetic starter to change rotation:

WIRING DIAGRAMS SINGLE PHASE MOTORS

SINGLE PHASE PUMPS

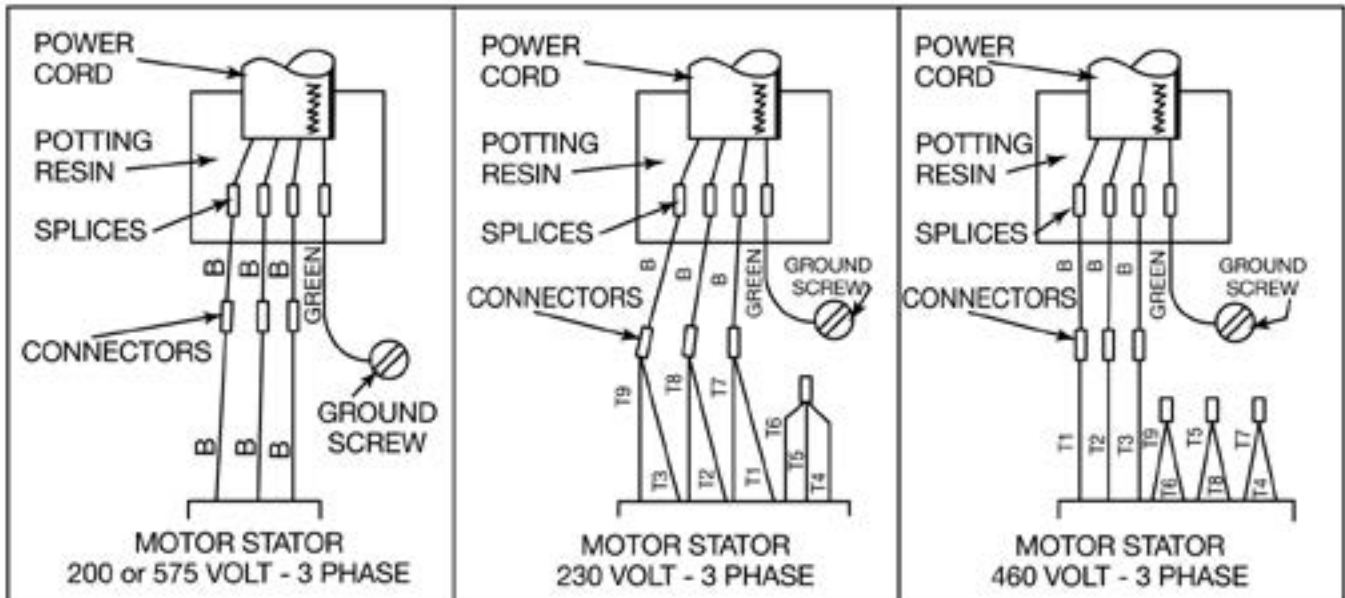
▲WARNING Risk of electric shock. This pump is supplied with a grounding conductor and grounding-type attachment plug. To reduce the risk of electric shock, be certain that it is connected only to a properly grounded, grounding-type receptacle.



**SINGLE SEAL PUMPS AND DOUBLE SEAL PUMPS
WITHOUT SEAL LEAK PROBE**

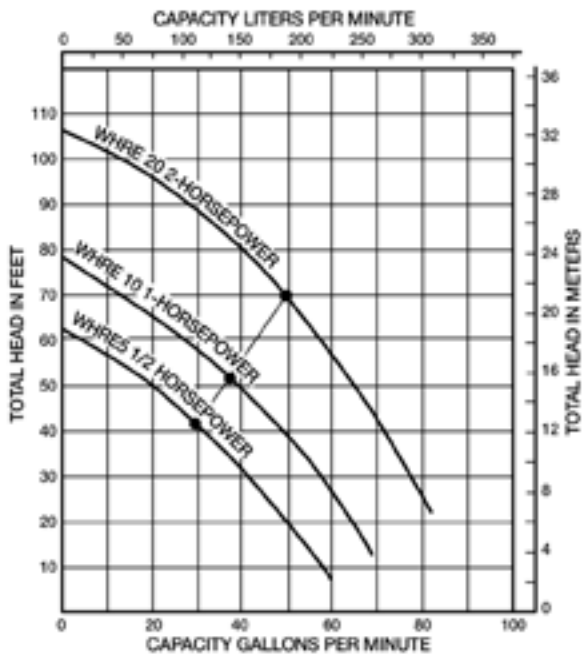
**DOUBLE SEAL PUMPS WITH SEAL LEAK PROBE
(RED CONDUCTOR IN POWER CORD
IS FOR SEAL LEAK PROBE)**

WIRING DIAGRAMS FOR 3 PHASE MOTORS

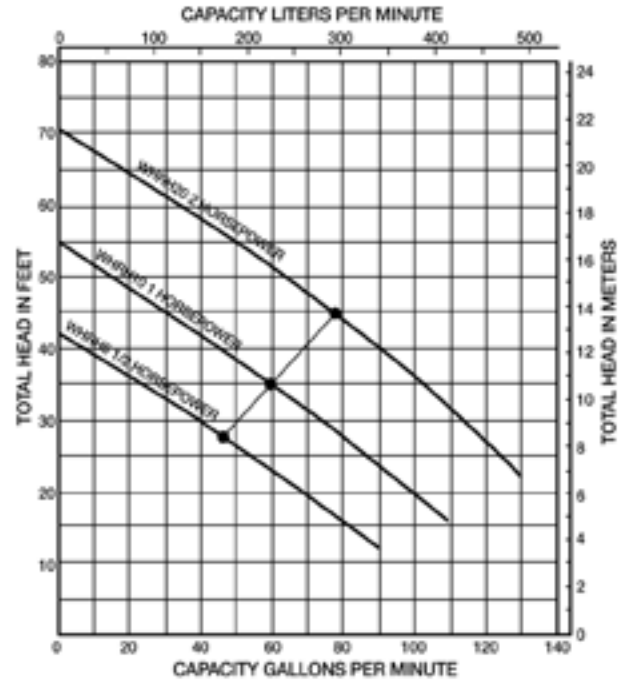


**FOR SINGLE SEAL PUMPS AND DOUBLE SEAL PUMPS
WITHOUT SEAL LEAK PROBE**

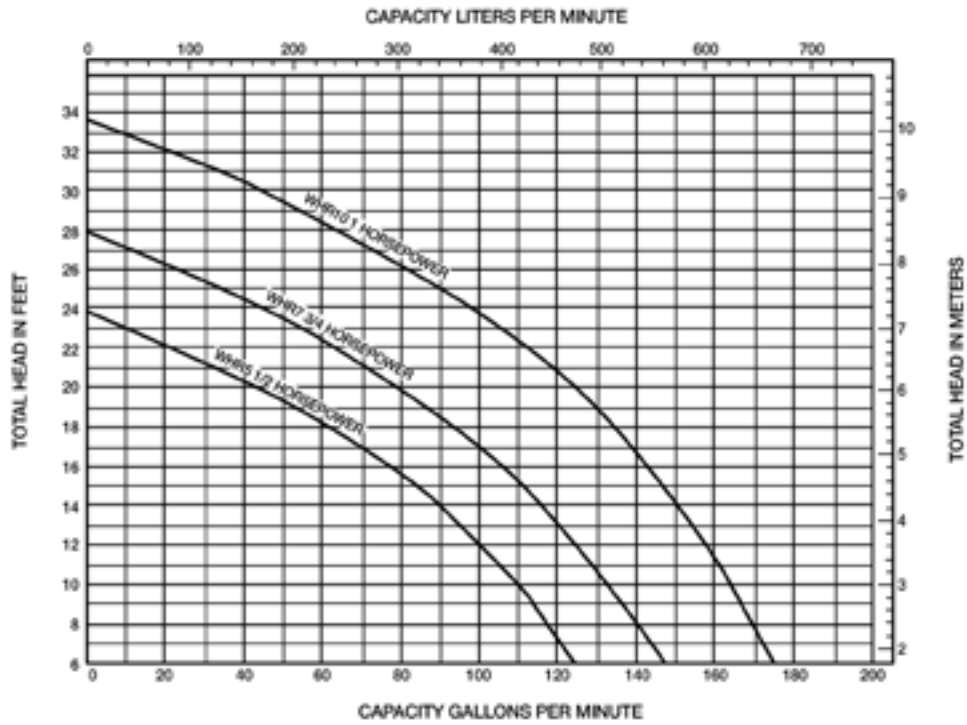
PERFORMANCE CURVES



PERFORMANCE CURVE
WHRE SERIES EFFLUENT PUMPS



PERFORMANCE CURVE
WHRH SERIES WASTE HANDLING PUMPS



PERFORMANCE CURVE
WHR SERIES WASTE HANDLING PUMPS

FIG.7 PUMP AND CONTROLS INSTALLED DIRECTLY IN SEPTIC TANK USED WHEN PUMPING INTO PRESSURIZED MAIN OR LEACH FIELD

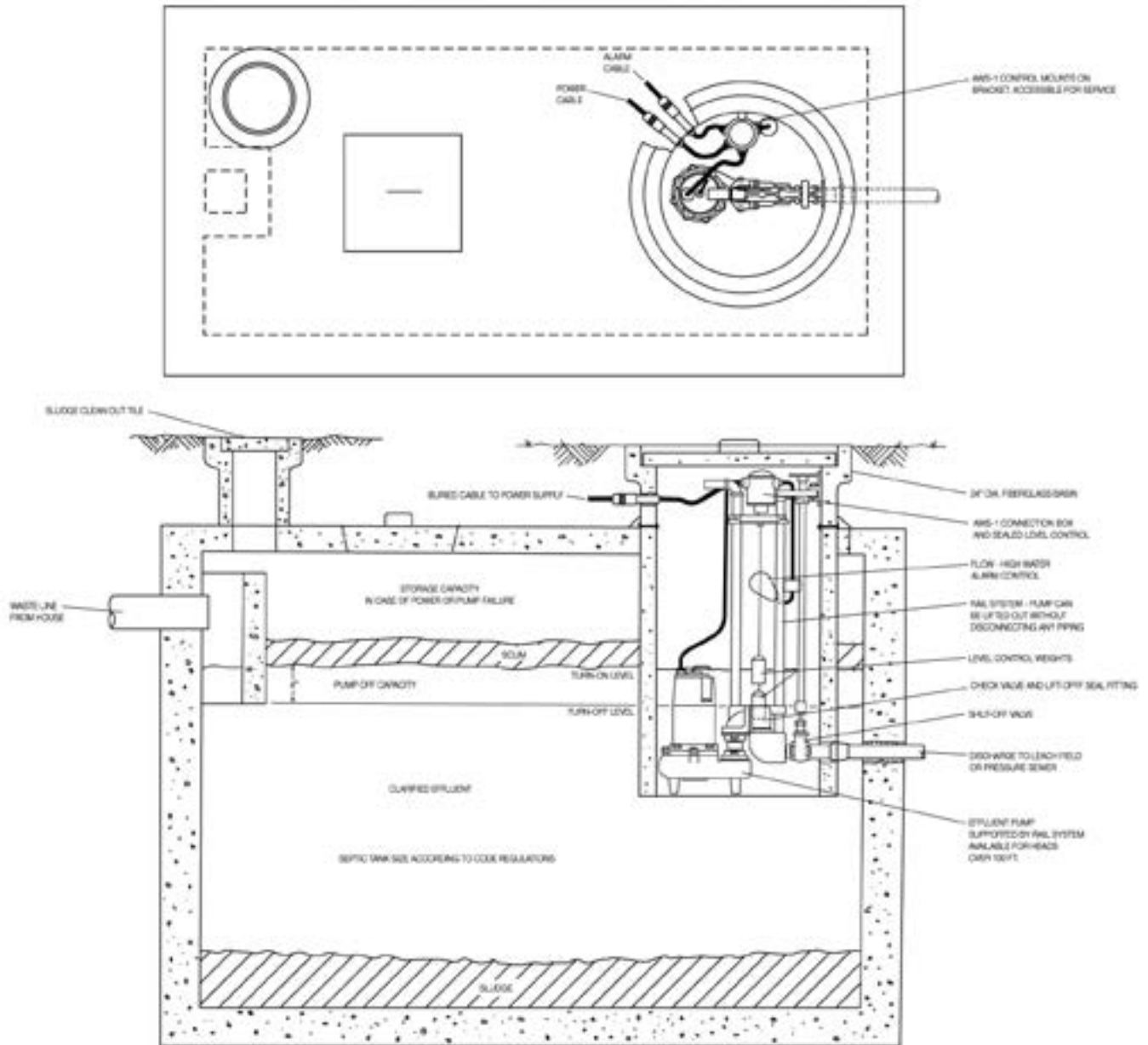


FIG. 7

POINTS TO CHECK IF PUMP DOES NOT RUN OR DOES NOT RUN PROPERLY

1. Pump does not run or start when water is up in sump.
 - a. Check for blown fuse or tripped circuit breaker.
 - b. Check for defective level switch.
 - c. Where control panel is used be sure H-O-A switch is in the Auto position. Turn switch to the HAND position and if pump runs then trouble is in the automatic electrical system. Have an ELECTRICIAN make electrical checks.
 - d. Check for burned out motor. Occasionally lightning can damage a motor even with lightning protection.
 - e. Where plug-in cords are used be sure contact blades are clean. DO NOT USE PLUG-IN CORDS INSIDE A SUMP OR WET WELL.
2. Pump runs but does not deliver flow.
 - a. Check for air lock. Start and stop pump several times if this does not help it may be necessary to loosen a union in the discharge line to relieve air lock.
 - b. Check valve may be installed backward. Check flow arrow on valve body. Check shut-off valve it may be closed.
 - c. Check vertical elevation, it may be higher than pump can develop. (See pump curve.)
 - d. Pump inlet may be plugged with a rag or trash. Remove pump to check.
 - e. If pump is three phase be sure pump rotation is correct. (See instructions for checking rotation.)
 - f. Level control ball or weight may be stuck on side of basin. Trash may be stuck on ball preventing it from floating up.

▲ WARNING ALWAYS UN-PLUG CORD OR TURN OFF CIRCUIT BREAKER BEFORE DOING ANY WORK ON THE PUMP. If control panel is remote from pump, disconnect lead wires to motor so that someone cannot turn the circuit breaker back on. If motor is three phase mark the leads so they can be replaced in same order.

DISMANTLING PUMP FOR REPLACEMENT OF PARTS

Clean pump thoroughly. Knock off all scale and deposits. Use sandblast if possible. Submerge complete unit in bleach solution for one hour before taking apart.

TO REPLACE CAPACITORS ONLY

The motors on all WHR, WHRH and WHRE series single phase pumps are of the permanent split capacitor type, so have no relays or starting switch, and have only a starting capacitor that is in the circuit for both starting and running conditions.

1. Remove oil fill plug in top of motor and pour out oil. Fig. 8
2. Remove bolts from capacitor housing and bump housing with plastic hammer to loosen. Fig. 9
3. Lift housing and disconnect motor leads and capacitor wires. Fig. 10
4. Remove capacitor clamp and slide out capacitor. Replace with new capacitor and re-connect. Fig. 11
Wiring connections are given in these instructions.
5. Replace capacitor housing, be sure rubber seal ring is in place. Fig. 12

6. Refill motor with Myers submersible motor oil, DON'T OVER FILL WITH OIL. OIL LEVEL SHOULD BE ONE INCH FROM TOP OF CASTING. Fig. 13
7. Be sure pump turns free before plugging into power. Turn pump on side and turn impeller, using screwdriver in slotted shaft. Plug pump into receptacle to test operation. Pump must run quiet and free of vibration.



FIG. 8

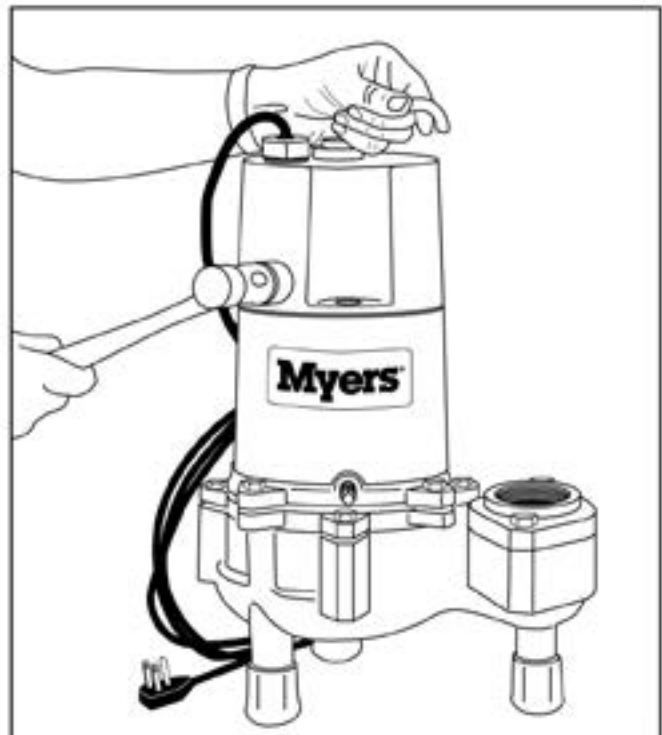


FIG. 9



FIG. 10

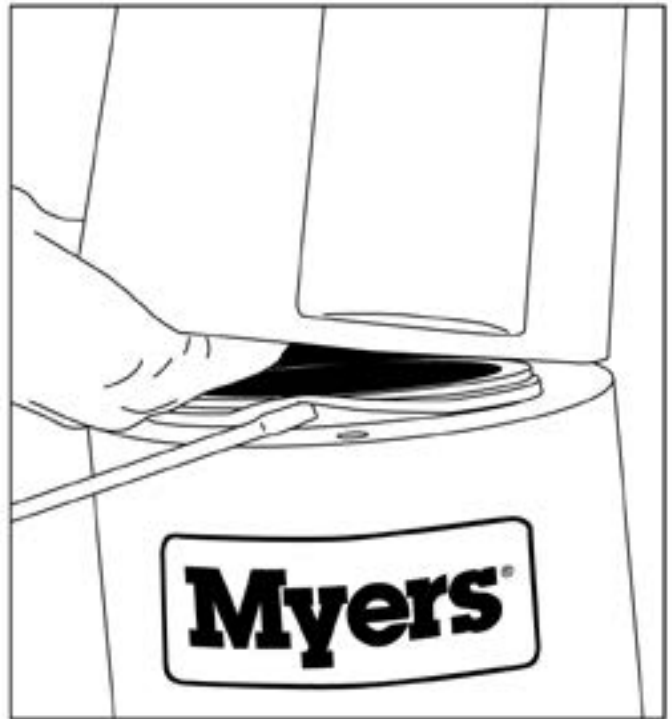


FIG. 12

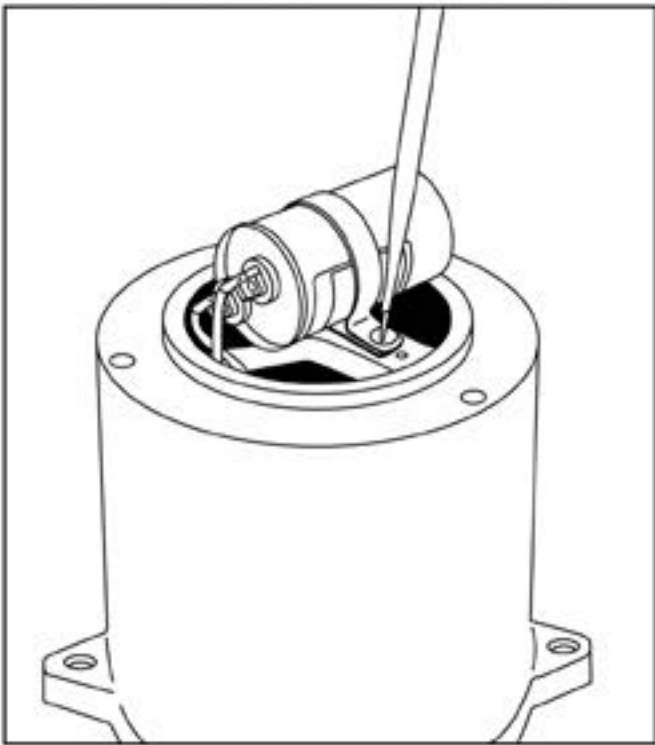


FIG. 11



FIG. 13

TO REPLACE POWER CORD ONLY

1. Remove capacitor housing as described above. Disconnect cord leads from motor and remove ground screw.
2. Unscrew cord bushing and remove from housing. Fig. 14
3. Replace with new fitting and cord, be sure "O" ring seal is in place. Fig. 14
4. Replace ground screw and re-connect motor wires. Wiring diagram is given in these instructions.
5. Replace capacitor housing and refill motor with Myers submersible oil. See Fig. 13 for oil level. One inch from top of casting.

COMPLETELY DISMANTLE PUMP TO REPLACE MOTOR STATOR AND SEAL

1. Pour oil from motor and remove capacitor housing as described above.
2. Remove bolts from motor housing only. Do not remove bolts that hold motor plate to volute case. Fig. 15



FIG. 15

3. Lift off motor housing, pry between ears to loosen. Fig. 16
4. Remove case holding bolts and lift out rotating unit. Pry between ears to loosen. Fig. 17
5. Hold rotor and unscrew impeller locking nut. Turn counter-clockwise as thread is right hand. Fig. 18.
6. Unscrew impeller, turn counter-clockwise to loosen. Fig. 19
7. Pry off seal with screwdrivers. It is not important if seal is damaged, as it must be replaced. Replace both parts of seal, never one or the other. Fig. 20.

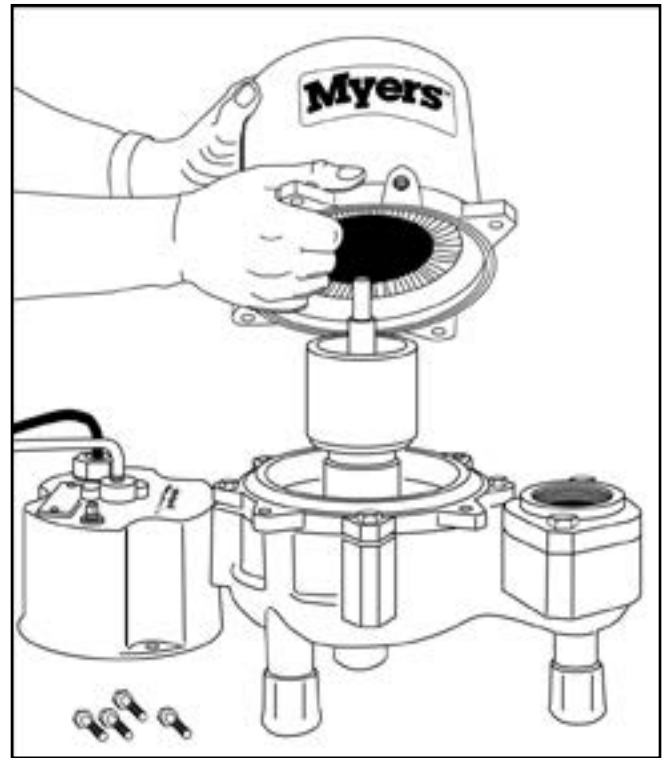


FIG. 16

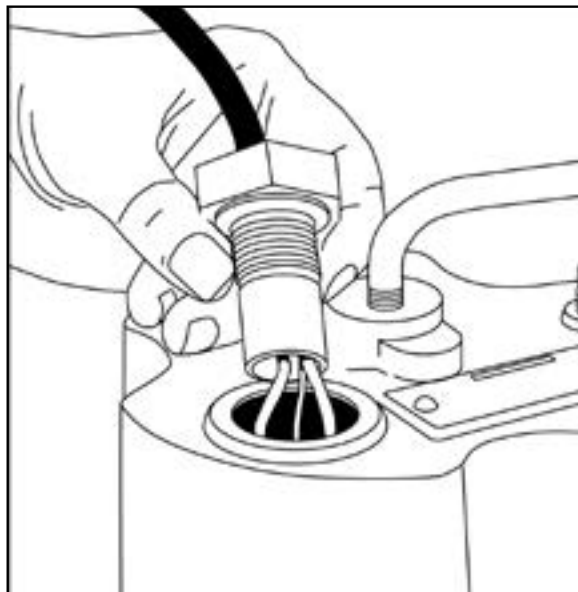


FIG. 14

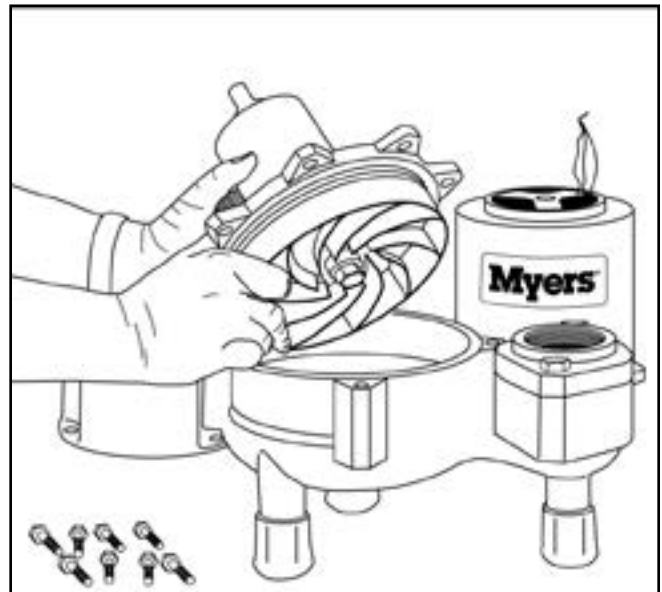


FIG. 17

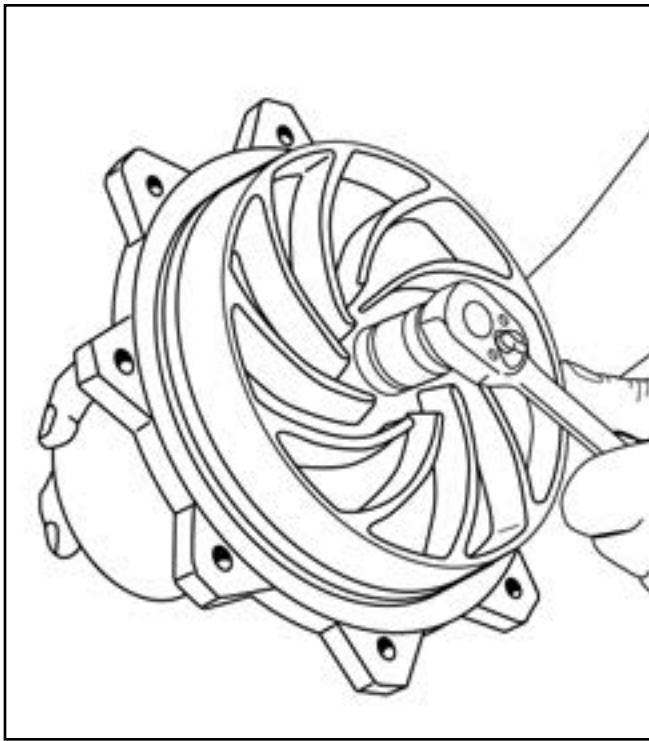


FIG. 18

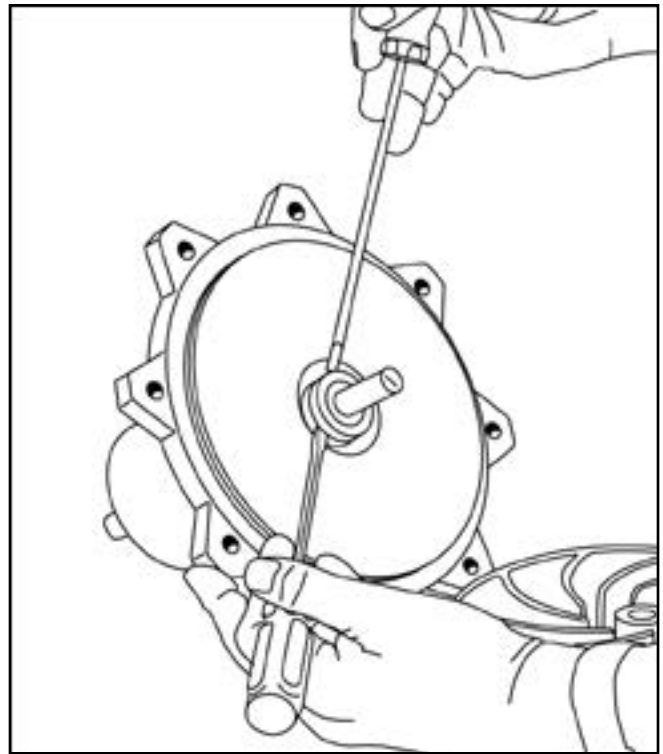


FIG. 20

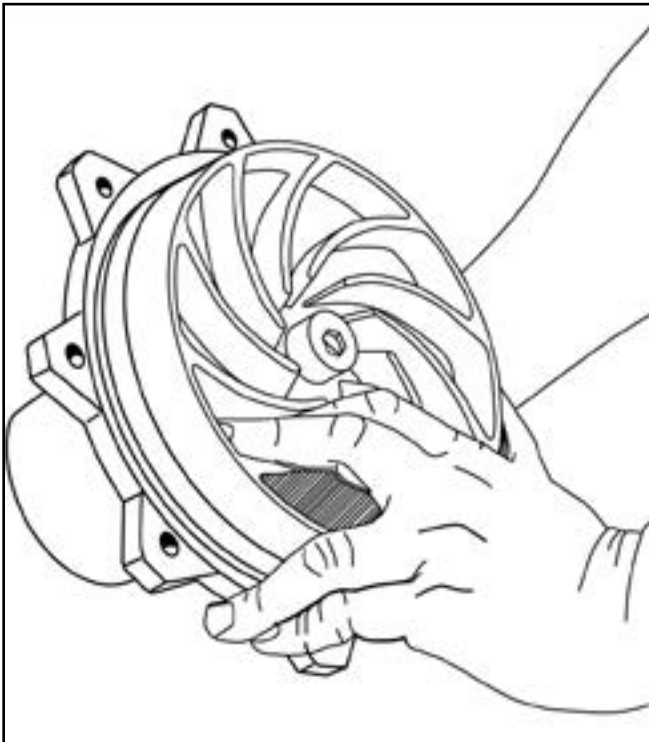


FIG. 19

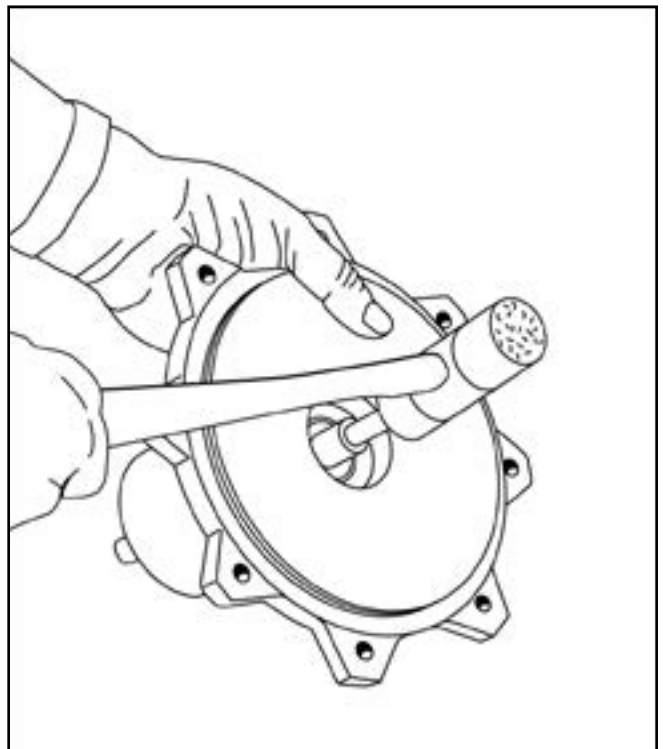
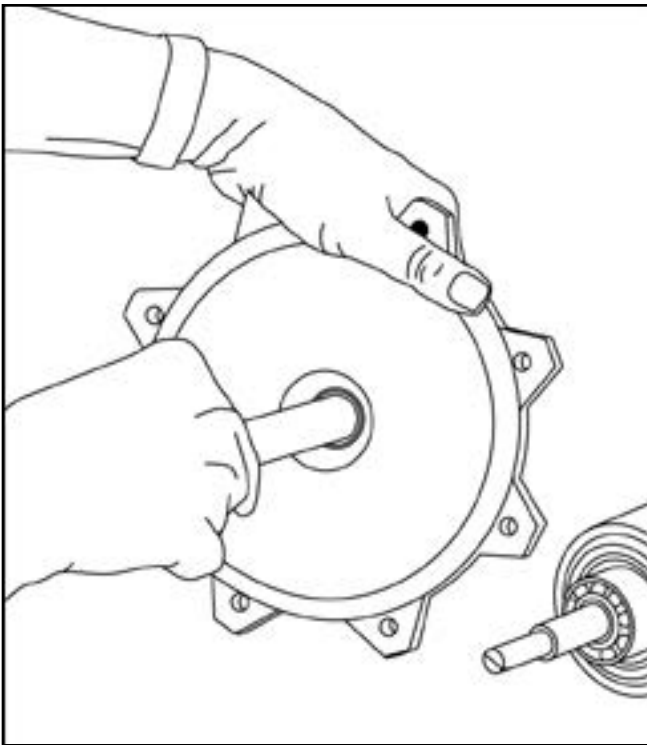


FIG. 21

8. Bump shaft on end with plastic hammer to push ball bearing from lower motor plate. Fig. 21.
9. Clean seal cavity thoroughly before replacing ceramic seal. Use grease on rubber cup of seat and push into

housing, use plastic rod to push into place. Clean seal face to remove any speck of dirt, and use light oil on face before installing bellows part of seal. Fig. 22



10. If necessary to replace ball bearing, press off in arbor
FIG. 22

press. Use strips of metal between bearing and rotor to press off. Fig. 23. Always press on inner race of bearing when replacing.

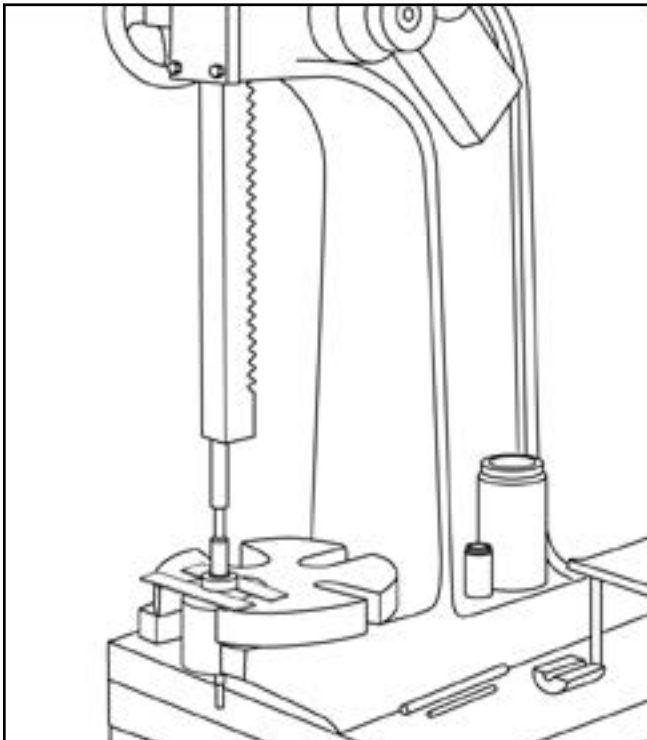


FIG. 23

11. If necessary to replace motor stator, use new housing with stator pressed in. Both housing and stator must be replaced as a unit, as stator is pressed in at factory and is not to be replaced in the field. Fig. 24
12. In reassembly, be sure rubber seal ring and thrust washer are in place as shown. Fig. 25

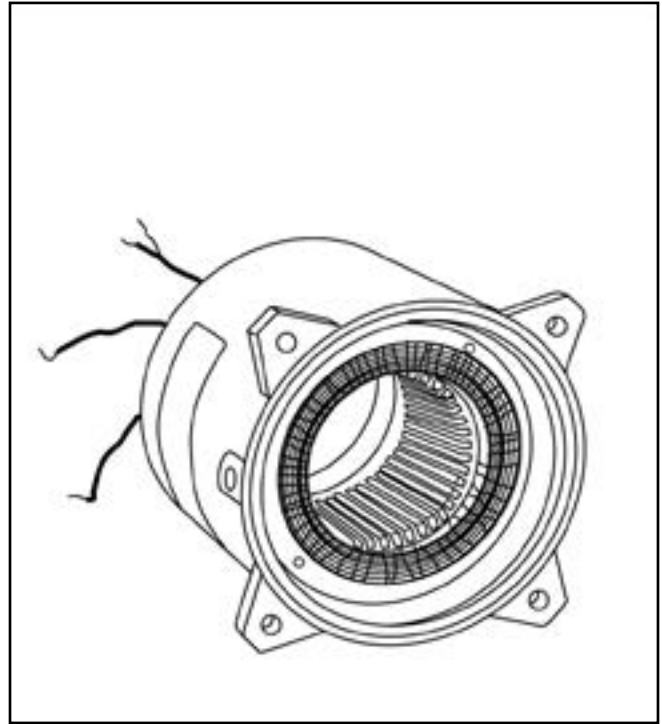


FIG. 24

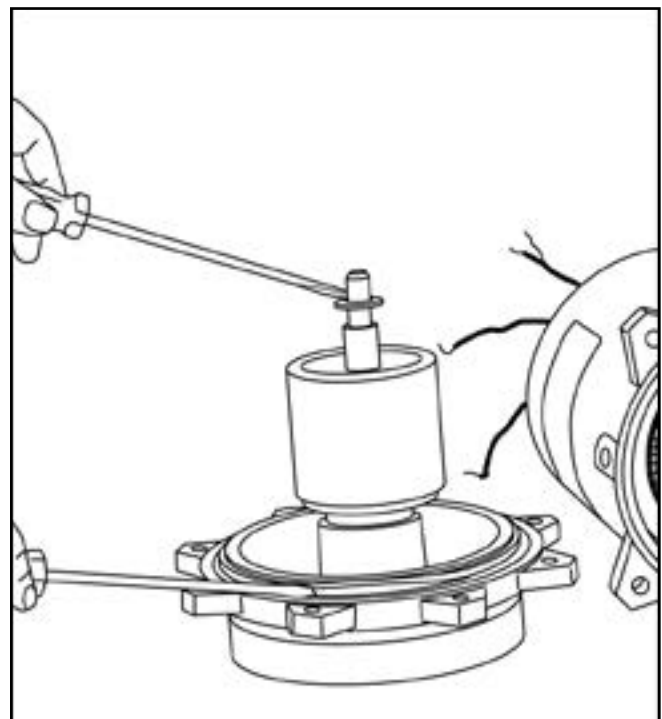


FIG. 25

SPECIAL INSTRUCTIONS FOR REPLACING SEALS IN DOUBLE SEAL PUMPS

1. Remove plugs in motor housing and in seal housing and drain oil.
2. Remove bolts in lower plate only.
3. Lift off pump case.
4. Hold impeller and unscrew holding nut. Hold shaft with screwdriver and unscrew impeller, turn counterclockwise.
5. Pry off seal bellows and ceramic seat. Break seats if necessary to get out as they must be replaced with new parts.
6. NEVER USE OLD SEAL PARTS. USE ONLY COMPLETELY NEW SEALS.
7. Remove snap ring with snap ring pliers.
8. Pry off upper seal bellows and ceramic seat.
9. If no water has entered motor housing (check winding with ohmmeter or megger) wipe seal chamber thoroughly and replace seals.
10. Replace oil in motor housing and seal chamber. Use only MYERS submersible oil.
11. If water has been in motor then remove seal chamber and lift out rotor unit and remove motor stator. See single seal instructions for replacing ball bearing and motor stator.

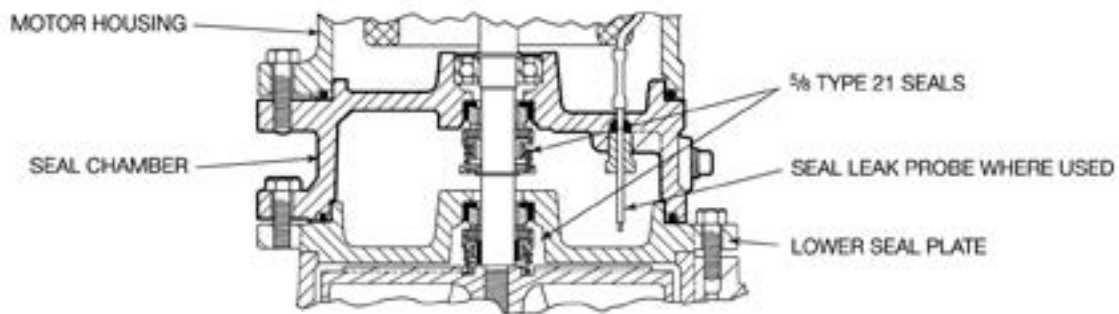
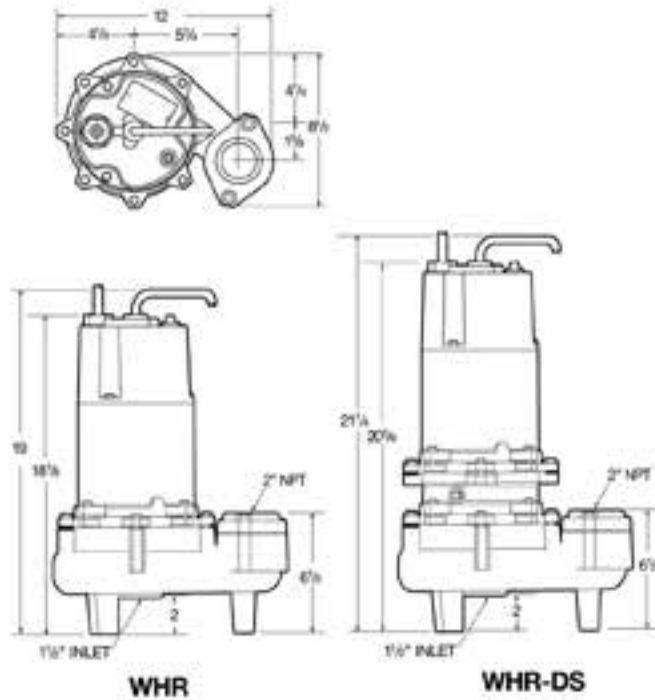
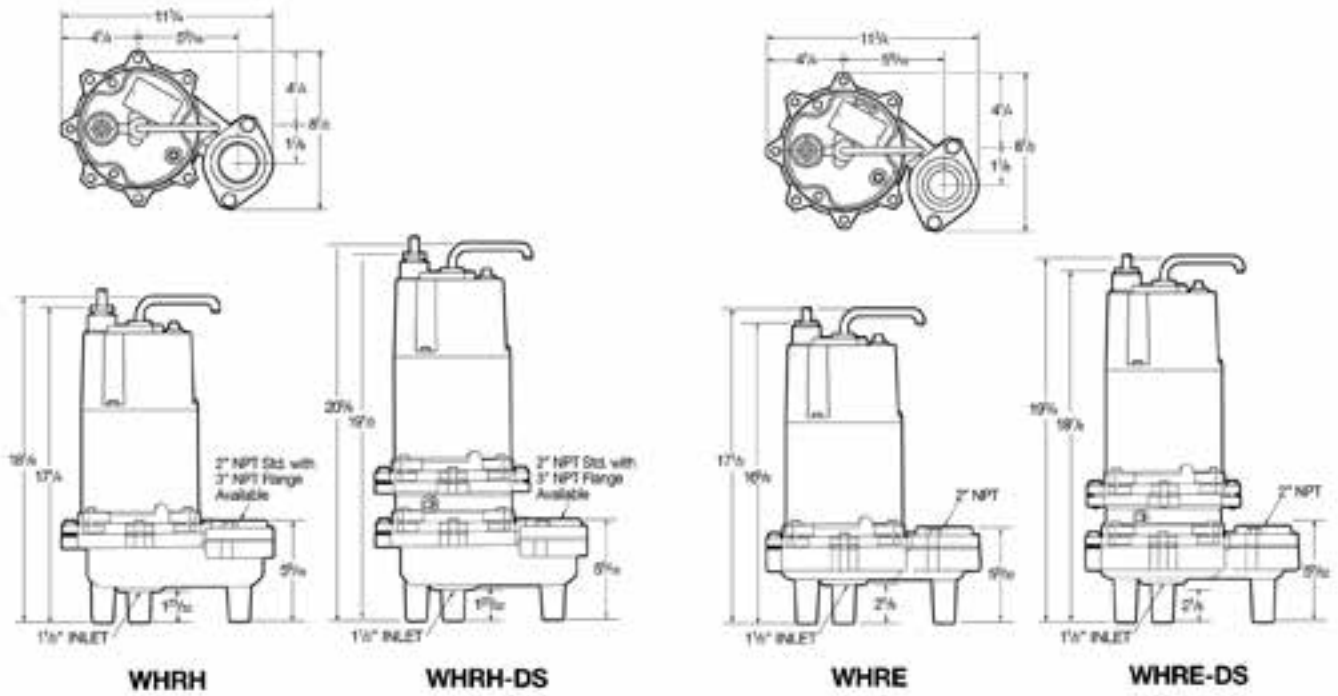


FIG. 26

PUMP DIMENSIONS



LIMITED WARRANTY

F.E. MYERS warrants to the original consumer purchaser ("Purchaser" or "You") of the products listed below, that they will be free from defects in material and workmanship for the Warranty Period shown below.

Product	Warranty Period
Sump/Sewage/Effluent Products	24 months from date of manufacture
Fibrewound Tanks	5 years from date of original installation
Steel Pressure Tanks	5 years from date of original installation
Jet pumps, small centrifugal pumps, submersible pumps and related accessories	<i>whichever occurs first:</i> 12 months from date of original installation, or 18 months from date of manufacture

Our warranty will not apply to any product that, in our sole judgement, has been subject to negligence, misapplication, improper installation, or improper maintenance. Without limiting the foregoing, operating a three phase motor with single phase power through a phase converter will void the warranty. Note also that three phase motors must be protected by three-leg, ambient compensated, extra-quick trip overload relays of the recommended size or the warranty is void.

Your only remedy, and F.E. MYERS's only duty, is that F.E. MYERS repair or replace defective products (at F.E. MYERS's choice). You must pay all labor and shipping charges associated with this warranty and must request warranty service through the installing dealer as soon as a problem is discovered. No request for service will be accepted if received after the Warranty Period has expired. This warranty is not transferable.

F.E. MYERS SHALL NOT BE LIABLE FOR ANY CONSEQUENTIAL, INCIDENTAL, OR CONTINGENT DAMAGES WHATSOEVER.

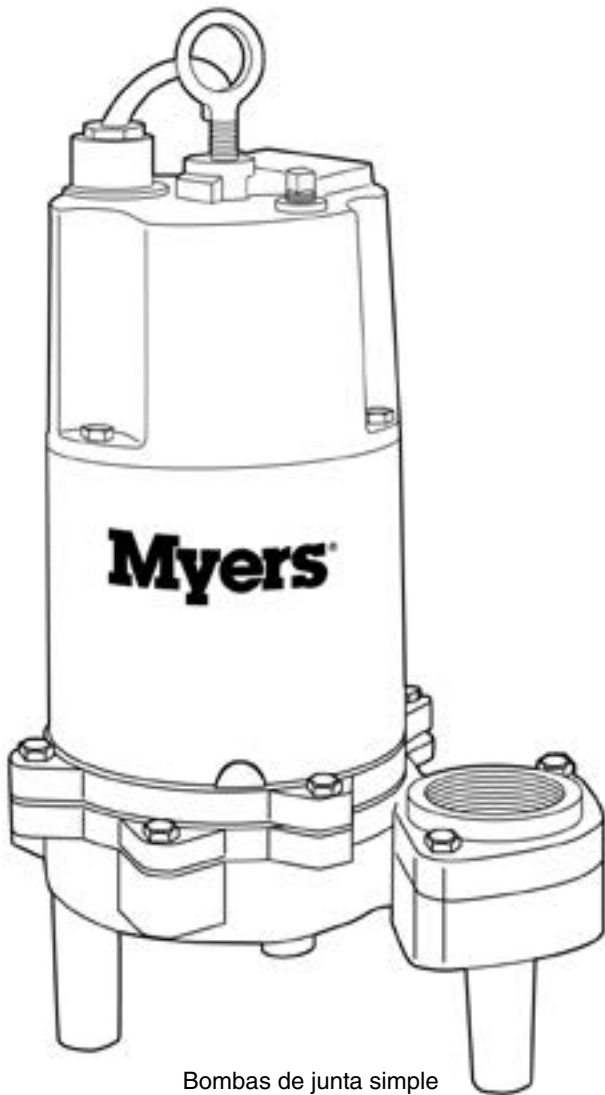
THE FOREGOING WARRANTIES ARE EXCLUSIVE AND IN LIEU OF ALL OTHER EXPRESS AND IMPLIED WARRANTIES, INCLUDING BUT NOT LIMITED TO THE IMPLIED WARRANTIES OF MERCHANTABILITY AND FITNESS FOR A PARTICULAR PURPOSE. THE FOREGOING WARRANTIES SHALL NOT EXTEND BEYOND THE DURATION EXPRESSLY PROVIDED HEREIN.

Some states do not allow the exclusion or limitation of incidental or consequential damages or limitations on the duration of an implied warranty, so the above limitations or exclusions may not apply to You. This warranty gives You specific legal rights and You may also have other rights which vary from state to state.

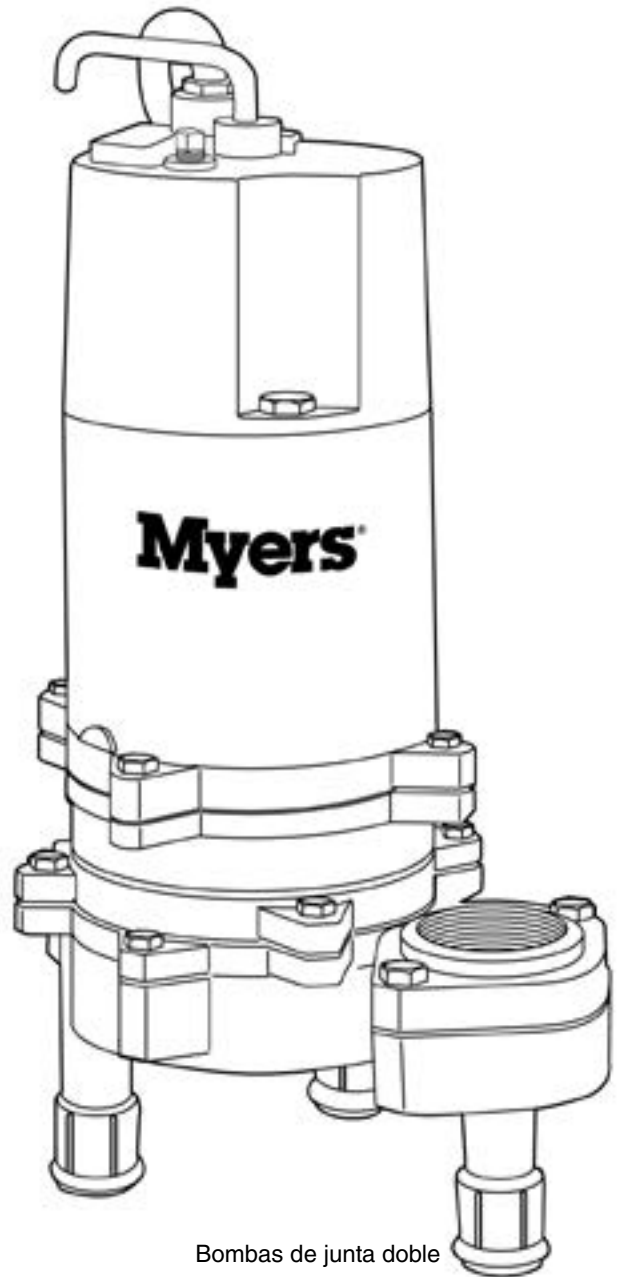
This warranty supersedes and replaces all previous warranty publications.

F.E. MYERS
1101 Myers Parkway, Ashland, OH 44805-1989
Phone: 888-987-8677 • Fax: 888-840-7867 • www.femyers.com

MYERS®

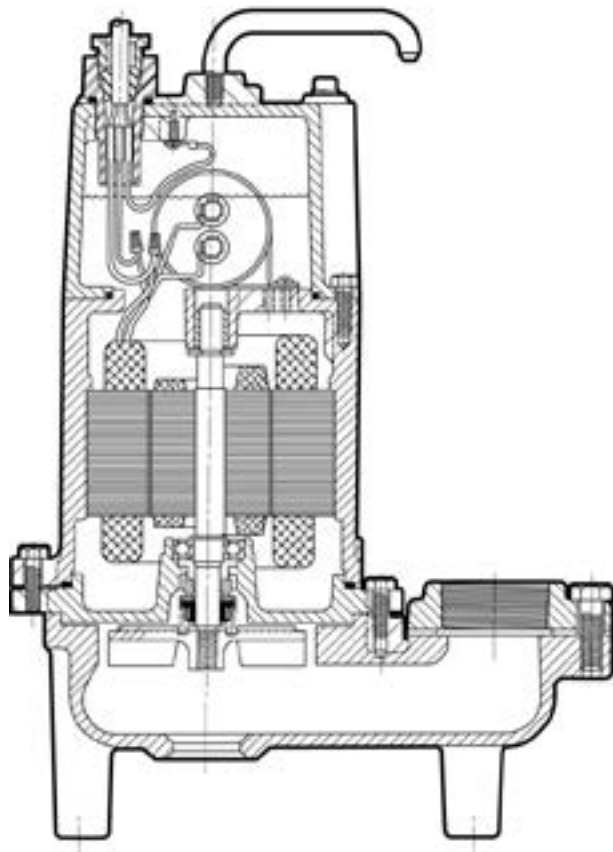


Bombas de junta simple



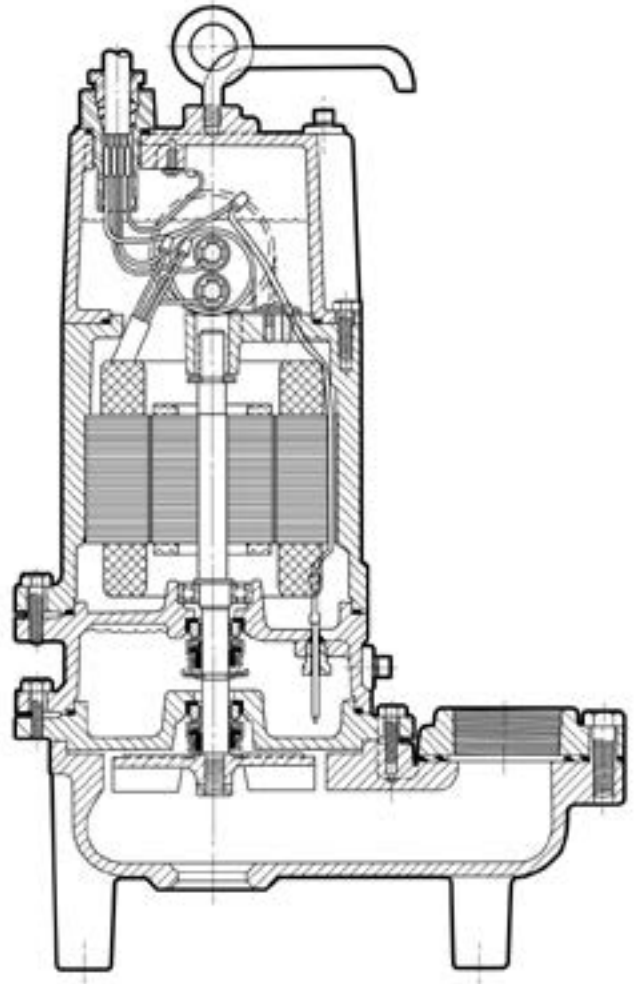
Bombas de junta doble

**Dibujos de corte típicos
para las bombas de manejo de desechos
con junta simple y doble WHR/WHRH y WHRE**



**Junta simple
Fig. 1**

WHR
WHRH
WHRE



**Junta doble
Fig. 2**

WHR-DS	WHR-SD L/D
WHRH-DS	WHRH-DS L/D
WHRE-DS	WHRE-DS L/D

Descripción general y usos

Las bombas de la serie WHR y WHRH son aparatos para el manejo de sólidos que se pueden usar para bombear AGUAS RESIDUALES CRUDAS en aplicaciones COMERCIALES y DOMÉSTICAS, pero no están diseñadas para manejar trapos grandes, trapeadores o cuerdas. Todas las bombas se pueden usar para un servicio normal de sumidero en donde se requiera una capacidad adicional.

La bomba de la serie WHRE es sólo para bombear agua de sumidero y EFLUENTE de tanques sépticos. NO SE DEBE USAR PARA AGUAS RESIDUALES CRUDAS.

Impulsores empotrados

Todas las bombas son de tipo con impulsor empotrado que ofrece un pasaje de la voluta despejado para los sólidos, ya que los sólidos no pasan por el impulsor. Todas las bombas indicadas se pueden usar para bombear el EFLUENTE o las AGUAS RESIDUALES que se usan en ciertos sistemas cloacales a presión.

Diseño de los sistemas cloacales a presión

Myers dispone de un programa de computación (SOFTWARE) completo para diseñar SISTEMAS CLOACALES A PRESIÓN. Este indica los tamaños de las tuberías que se deben usar y el flujo exacto de cualquier bomba o grupo de bombas en el sistema cuando funcionan simultáneamente. Este DISCO de diseño para IBM o computadoras COMPATIBLES se encuentra disponible para los ingenieros a solicitud.

Bombas de junta doble

Todos los modelos de junta doble tiene dos juntas con una cámara de aceite entre las juntas para que las caras de las juntas inferior y superior estén lubricadas con aceite y proporcionen una vida más larga y una mayor protección contra el agua que gotee en el bobinado del motor.

Estas unidades de junta doble están hechas con y sin una sonda de fugas de la junta. La sonda de fugas en la cámara de aceite de la junta detecta toda pérdida de agua en la cámara y enciende una luz roja de señal en el tablero de control. Se deberán sacar las bombas del sumidero y se deberá cambiar las juntas después de que la luz de la junta se ilumine en el tablero. Es importante usar los tableros de control para las bombas con una sonda de fugas de la junta.

Es importante sacar las bombas de junta doble, que no tienen una sonda de fugas de la junta, cada 12 a 18 meses y verificar que no haya fugas desde la junta.

Controles de nivel

Todas las bombas deben usar interruptores de control de nivel herméticos para una operación automática. Los controles MLC y MFLC tienen interruptores de mercurio herméticos con una clasificación nominal de 1 HP a 230 voltios. Los controles ALC y AWS-1 tienen interruptores mecánicos herméticos con una clasificación nominal de 2 HP a 230 voltios.

Las bombas monofásicas simplex se pueden convertir en automáticas adjuntando un control MFLC o MLC a la bomba. Estos interruptores tienen un nivel fijo de desagüe de 8 a 10" y se pueden usar con hasta 1 HP. Para clasificaciones de más HP se pueden usar dos controles de interruptor de mercurio (o SMNO) con un arranque magnético.

Los controles ALC y AWS-1 se pueden usar para las bombas monofásicas simplex con clasificaciones nominales de hasta 2 HP.

Todos los sistemas dúplex deben usar interruptores de detección de control piloto de mercurio con una caja de mando y arranques magnéticos.

Se pueden usar cordones de enchufe en todas las bombas monofásicas sin detector de fugas de la junta. El cordón tiene una clavija a TIERRA que se enchufa en un receptáculo puesto a tierra. El receptáculo puesto a tierra no se puede usar en un sumidero o depósito húmedo debido al PELIGRO de una pérdida de corriente.

Se deben usar cajas de empalme herméticas en los sumideros o depósitos húmedos para hacer las conexiones al cordón del motor. El control AWS-1 también actúa como caja de empalme hermética para conectar el cordón eléctrico al cordón de la bomba.

Advertencia de seguridad

Todas las bombas monofásicas o trifásicas deben tener un CABLE A TIERRA que esté conectado a un tornillo en la caja metálica de la bomba. Este cable va a la caja de mando y está conectado a TIERRA en el exterior en forma adecuada a una tubería de agua metálica o a una ESTACA A TIERRA hincada al menos 6 pies dentro del suelo.

Tipos de motor

Todos los motores de bombas monofásicas son de tipo condensador auxiliar permanente y no requieren un interruptor de arranque o un relé de arranque.

Los interruptores de reposición automática de sobrecarga están adosados directamente al bobinado del motor.

Los motores de bombas trifásicas requieren de un arranque magnético con una protección de sobrecarga de 3 patas.

Instalación

Las bombas se pueden instalar dentro de un depósito hermético con una ventilación debida ya sea para sistemas simplex o dúplex. Se dispone de sistemas de depósito SIMPLEX o DÚPLEX. Ver las Figuras 3 y 4.

No se recomienda usar depósitos para AGUAS RESIDUALES CRUDAS dentro de la casa, pero éstos son adecuados para usar en edificios de oficinas y pequeños edificios industriales y fábricas.

Los depósitos se pueden usar dentro de la casa cuando se requieren bombas de sumidero de capacidad adicional para los suavizadores de agua y agua de lavado.

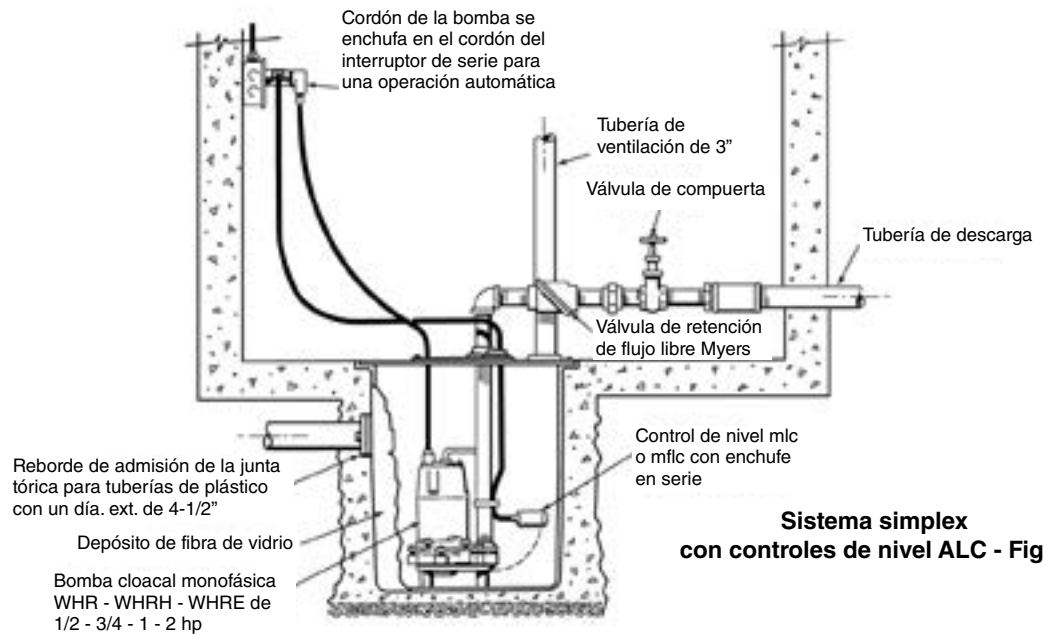
Si es necesario bombear aguas residuales crudas en la casa, use depósitos exteriores que se conecten con las tuberías principales del alcantarillado a presión o con alcantarillados por gravedad, o que corran a tanques sépticos.

Si se usa un depósito interior, éste generalmente se instala cuando se vierte el piso de hormigón.

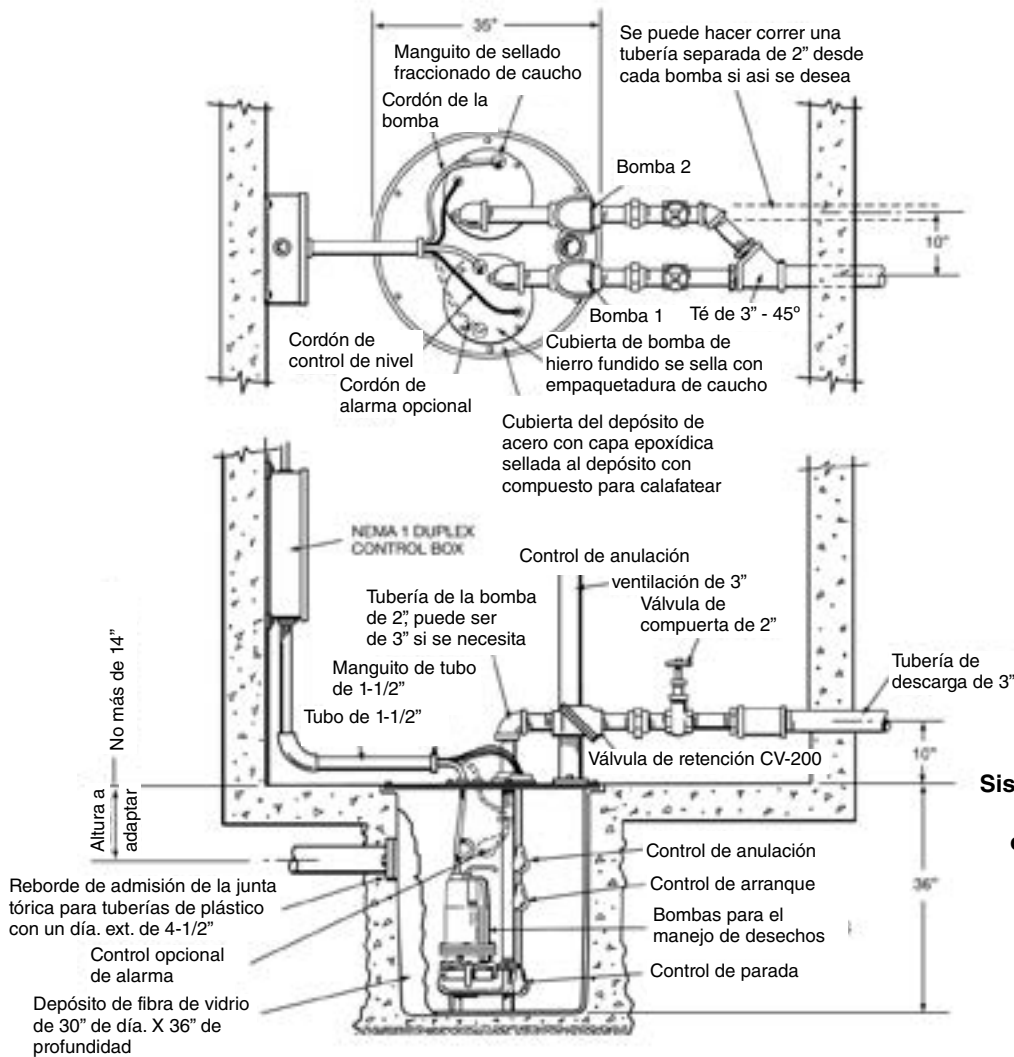
Las bombas se pueden instalar en un compartimiento para tanques sépticos para bombear a las tuberías principales del alcantarillado a presión, al alcantarillado por gravedad, a campos de aplicación de fangos cloacales o a montículos de evaporación. Ver las Figuras 5, 6 y 7.

Ventilación correcta para depósitos instalados en el interior

Todos los depósitos herméticos en interiores deben tener una tubería de ventilación de 2" o 3" instalada conforme a las normas locales. Los sumideros para el manejo de agua que proviene del suavizador, agua de lavado o de desagüe no necesitan ser herméticos ni ventilados.



Sistema simple con controles de nivel ALC - Fig. 3



Sistema dúplex con controles de flotador de mercurio o smno y caja de mando remoto - Fig. 4

Los depósitos en exteriores son generalmente de fibra de vidrio y entre 4 y 8 pies de profundidad y tienen una cubierta hermética. La bomba se instala generalmente con un sistema de riel de elevación para poder sacar la bomba sin perturbar la tubería de descarga. La válvula de retención sale con la bomba para reparaciones o servicio. Sistemas completos de ELEVACIÓN montados en los depósitos de fibra de vidrio están disponibles para adaptarse a las especificaciones del cliente.

▲ ADVERTENCIA El depósito de sumidero debe ser ventilado conforme a las normas de plomería locales. Estas bombas no están diseñadas para lugares clasificados como peligrosos, NI SE PUEDEN instalar en tales lugares, conforme al National Electric Code ANSI/NFPA 70.

Tubería

Las bombas vienen equipadas con una brida hembra fileteada de 2" o 3". Se pueden usar tubos galvanizados o de PVC de plástico. Se prefiere el uso de tubos de plástico para aguas residuales crudas o efluente del tanque séptico.

Válvulas de retención y válvulas de cierre

Todas las bombas deben tener válvulas de retención y válvulas de cierre en la tubería de descarga. Las válvulas de retención deben ser tipo chapaleta con resorte exterior o tipo esférico. Las válvulas de cierre pueden ser tipo esférico o de compuerta. Se prefiere una construcción de plástico tanto para la válvula de retención como de cierre.

Activación de los sistemas simplex

1. Para las bombas monofásicas con control MLC o MFLC, enchufe los cordones superpuestos en el receptáculo y haga correr el agua hacia el sumidero hasta que se active. Permita que la bomba pase por varios ciclos de encendido/apagado. Deje el cordón eléctrico enchufado. Si la bomba marcha pero no bombea, puede haber una bolsa de aire. Desenchufe el cordón y rompa la unión en la tubería de descarga, luego vuelva a encender la bomba. Esto deberá dejar escapar el aire atrapado. Vuelva a apretar la unión.
2. Con los 2 controles de "mercurio", active la corriente eléctrica en la caja de mando y haga correr el agua hacia el sumidero. Cuando el nivel llegue por encima del control, la bomba deberá encenderse y continuar bombeando hasta que el nivel baje a la altura del control inferior, deteniendo la bomba. Haga marchar la bomba por varios ciclos. Si la bomba marcha pero no bombea, verifique que no haya una bolsa de aire, como en el punto 1. Deje la corriente eléctrica activada para una operación automática.
3. Cuando se usen controles ALCL o AWS-1 enchufe el cordón o active la corriente eléctrica y deje correr el agua hacia el sumidero; cuando el nivel esté a mitad de camino en la plomada superior, la bomba deberá encenderse y marchar hasta que el nivel baje y hasta que aproximadamente la mitad de la plomada inferior esté por encima del agua, deteniendo la bomba. Verifique el punto 1 si la bomba no funciona debidamente. Para todos los casos, si el motor no se enciende cuando el nivel del agua se eleva, verifique que esté enchufado debidamente o que el interruptor de arranque esté en la posición encendida, o que el fusible no se haya fundido. SIEMPRE HAGA QUE UN ELECTRICISTA REALICE LAS VERIFICACIONES DE ÍNDOLE ELÉCTRICA.

Activación de la bomba "WHE-P" (automática) usando el interruptor mecánico con enchufe en serie - sistema simplex

1. Estas bombas tienen un interruptor de flotador mecánico (sin mercurio) con un cordón de 20 pies de largo y un enchufe

Bolsa de aire

Se dice que una bomba tiene una bolsa de aire si el agua atrapa aire dentro de la bomba y no puede salir, impidiendo que la bomba funcione.

TODAS LAS BOMBAS DE SUMIDERO MYERS TIENEN UN PEQUEÑO ORIFICIO DE VENTILACIÓN EN LA CÁMARA DEL IMPULSOR PARA DEJAR SALIR EL AIRE ATRAPADO. SI ESTE ORIFICIO SE TAPA, ES POSIBLE QUE SE CREE UNA BOLSA DE AIRE EN LA BOMBA. ESTO GENERALMENTE SUCEDER EN LA BOMBAS QUE SE USAN PRINCIPALMENTE POR TEMPORADAS. DURANTE LOS MESES DE VERANO, LA BOMBA SE PUEDE APAGAR CUANDO EL AGUA DEL SUMIDERO SE SECÓ. CUANDO LA BOMBA SE VUELVA A ENCENDER Y EL AGUA VUELVA AL SUMIDERO, EL AIRE QUEDARÁ ATRAPADO EN LA BOMBA SI NO SE DEJA ESCAPAR.

COMO PRECAUCIÓN SECUNDARIA, SE DEBERÍA PERFORAR UN ORIFICIO DE 1/8" EN LA TUBERÍA DE DESCARGA POR DEBAJO DE LA VÁLVULA DE RETENCIÓN. LA VÁLVULA DE RETENCIÓN DEBE ESTAR ENTRE 12 Y 18 PULGADAS POR ENCIMA DE LA DESCARGA DE LA BOMBA. NO COLOQUE UNA VÁLVULA DE RETENCIÓN DIRECTAMENTE EN LA ABERTURA DE DESCARGA DE LA BOMBA.

En sumideros normales en donde la bomba funciona diariamente, raramente ocurren bolsas de aire.

superpuesto en serie de 115 voltios o 230 voltios en 1/2 HP, con el interruptor montado en la bomba. Los modelos de 3/4 HP y de 1 HP, requieren un cordón de 20 pies de largo y 230 voltios solamente.

2. Enchufe la ficha del cordón del interruptor en un tomacorriente debidamente puesto a tierra y de la tensión correcta.
3. Enchufe el cordón eléctrico de la bomba en la parte posterior del enchufe en serie del cordón del interruptor.
4. Adhiera los cordones a la tubería de descarga, con cinta adhesiva cada 12".
5. Haga correr el agua hacia el sumidero hasta que la bomba se encienda. Verifique que la válvula de la tubería de descarga esté abierta.
6. Permita que la bomba pase por varios ciclos de encendido/apagado.
7. Si la bomba no funciona correctamente, consulte el cuadro de servicio de localización de fallas para solucionar el problema.

Cómo configurar los controles y activar los sistemas dúplex

Se debe usar una caja de mando en todos los sistemas dúplex

1. Se usan 4 controles de "mercurio" para los sistemas dúplex. Configure el control de activación entre 6" y 8" por encima de las bombas. Configure el control de desactivación entre 8" y 10" por encima del fondo del sumidero. Configure el control de anulación entre 6" y 8" por encima del control de activación. Configure el control de alarma de nivel alto entre 6" y 8" por encima del control de anulación. Marque todos los cordones de control para que se puedan conectar correctamente en la caja de mando. Ver la Figura 4.
2. Coloque los interruptores de Manual-Apagado-Automático (H-O-A) en la posición apagada (OFF) y cierre el disyuntor.
3. Coloque los interruptores de H-O-A en la posición AUTO y haga correr el agua hacia el sumidero. Cuando el nivel del agua suba y active el interruptor de encender, una bomba deberá activarse y marchar, la bomba continuará marchando hasta que el control inferior quede expuesto, deteniendo la bomba.
4. Haga correr el agua hacia el sumidero nuevamente y cuando el

nivel del agua suba al control de activación, la bomba opuesta se encenderá y marchará hasta que el nivel baje, dejando expuesto el control inferior y deteniendo la bomba.

5. Haga esta prueba varias veces para verificar que las bombas se alternen debidamente.

Sistemas de control de nivel disponibles

1. Sistema automático simplex monofásico empaquetado. Este sistema viene con el interruptor de flotador de mercurio MLC o MFLC adjunto directamente a la bomba. Este sistema tiene un nivel fijo de bombeo de 8" a 10" y generalmente se usa para drenar agua y sirve hasta e incluyendo 1 HP.
2. Las bombas monofásicas simplex pueden usar los controles ALC o AWS-1 que están montados separados de la bomba. Estos controles se pueden usar con motores de hasta 2 HP. Ver la Figura 3
3. Las bombas smplex pueden usar dos controles de "mercurio" montados separadamente de la bomba. Estos controles se deben usar con una caja de mando y un contactor magnético. Estos controles se pueden espaciar para el nivel de consumición que se requiera y se pueden usar para motores de 2 HP o mayores.
4. Los sistemas de bomba dúplex deben usar solamente los controles de "mercurio" con una caja de mando eléctrica. Estas cajas de mando montadas a distancia del tanque del sumidero, están generalmente construidas de plástico para ofrecer una mejor resistencia a la corrosión. Ver la Figura 4.

Protección del motor contra sobrecarga

Todos los motores monofásicos tienen interruptores automáticos incorporados de reposición de sobrecarga, fijados directamente al bobinado del motor.

Todos los motores trifásicos deben ser instalados con arranques magnéticos con una protección contra sobrecarga de tres patas.

Cómo configurar los controles y activar los sistemas simplex

1. Sistemas automáticos – Estos sistemas tienen interruptores MLC, MFLC, o ALC montados en la bomba, de manera que la bomba está instalada en el sumidero y el cordón del motor está enchufado en un receptáculo a TIERRA. Para las cubiertas de sumidero herméticas, el cordón eléctrico sale por un tapón de caucho fraccionado en la cubierta del sumidero.
2. Cuando se usan 2 controles de "mercurio", el control de activación está configurado entre 3" y 6" por encima de la parte superior del motor, y el control de desactivación está configurado entre 6" y ** por encima del fondo del sumidero. Si se usa un control de alarma de alto nivel, éste debe estar configurado a unas 6" por encima del control superior. Si la profundidad del sumidero no permite estas configuraciones, se deberán espaciar a menor distancia.
3. Cuando se usen controles ALLC o AWS-1 las PLOMADAS DE DESPLAZAMIENTO se deberán configurar de manera que la plomada de activación esté entre 4" y 6" por encima de la parte superior del motor y la plomada inferior esté configurada a unas 6" por encima del fondo del sumidero.
4. Repita esta operación con una bomba apagada, lo cual duplicará un estado de falla de la bomba. Cuando el nivel llegue al control de anulación, la bomba que esté encendida deberá activarse y marchar, bombeando para reducir el nivel del sumidero.
5. Para verificar la alarma de alto nivel, nuevamente, coloque ambos interruptores en la posición apagada (OFF) y llene el sumidero hasta que el nivel quede por encima del control de la alarma. Coloque los interruptores en la posición "Auto" - el

TIMBRE DE ALARMA deberá sonar y la luz de alarma se deberá encender. Cuando el nivel descienda más bajo que el control de la alarma, el timbre dejará de sonar.



6. Si las bombas funcionan como se describió, entonces configure ambos H-O-A en "Auto" y las bombas estarán listas para funcionar automáticamente.
7. Si las bombas no funcionan correctamente, entonces haga las verificaciones necesarias que se describen para los sistemas simplex. Ver la página 13.



ADVERTENCIA NUNCA TRABAJE EN LAS BOMBAS O EN LAS CAJAS DE MANDO SIN ANTES HABER DESACTIVADO LOS DISYUNTORES.

Siempre haga que un ELECTRICISTA certificado realice las conexiones eléctricas y los chequeos de servicio.

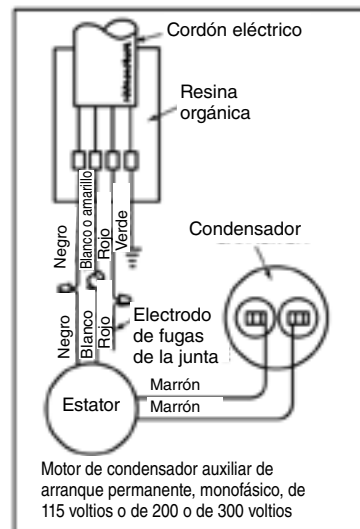
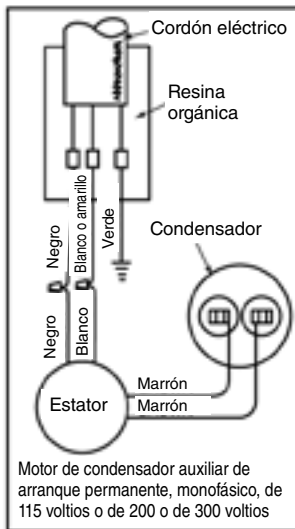
Instrucciones especiales para bombas trifásicas

1.  **ADVERTENCIA** Sólo personas capacitadas deberán realizar el servicio y las instalaciones en esta bomba. El cableado de esta bomba debe ser realizado por un electricista certificado usando una caja de arranque y un dispositivo de conmutación aprobados.
2.  **ADVERTENCIA** Peligro de choque eléctrico. No conecte el conducto a la bomba.
2. Las bombas trifásicas siempre se instalan con cajas de mando que tengan arranques magnéticos con protección contra sobrecarga de 3 patas. **NO TRATE DE HACER MARCHAR UNA BOMBA TRIFÁSICA DIRECTAMENTE A TRAVÉS DE LA LÍNEA.**
3. Para conectar la Bomba: Haga correr el cable desde la bomba al fondo de la caja de mando o de una caja de empalme adecuada para contener las conexiones de empalme. Se debe perforar un orificio en la caja de mando para los cables. Con la corriente eléctrica a la caja de mando desactivada, conecte la línea verde (tierra) a la saliente de tierra. Conecte los cables negros (corriente eléctrica) a los bornes de alimentación eléctrica. Verifique que todos los cables estén dentro de la caja de mando y no en una posición en donde se les pueda prensar o que provoquen un cortocircuito cuando se cierre la puerta. Consulte los diagramas de cableado en la página 8.
4. Todos los motores trifásicos pueden marchar en cualquiera de las dos direcciones, la ROTACIÓN se puede cambiar, si se intercambian dos conductores de línea cualesquiera en el arranque magnético. **ASEGÚRESE DE QUE EL DISYUNTOR ESTÉ DESACTIVADO ANTES DE REALIZAR ESTE CAMBIO.** Para verificar si la rotación es la correcta, haga funcionar las bombas y chequee su funcionamiento. Si el flujo y la altura son bajos (consulte las curvas de rendimiento de la bomba ilustradas en este manual), la rotación es incorrecta. Con las bombas dúplex, deberá verificar el funcionamiento de ambas bombas. Todos los impulsores, ya sean monofásicos o trifásicos, deben girar en la dirección opuesta a las agujas del reloj cuando se esté mirando hacia el orificio de aspiración de la bomba. Si no está seguro de la dirección de la rotación, **DESACTIVE LA CORRIENTE ELÉCTRICA** y saque la bomba del depósito con el cordón conectado y colóquela sobre un costado para poder ver el impulsor. Active la corriente eléctrica y encienda la bomba usando la posición manual del interruptor H-O-A. Encienda y apague rápidamente para poder observar la inercia del impulsor. **NUNCA COLOQUE LA MANO O LOS DEDOS EN EL IMPULSOR.** Intercambie dos conductores de línea cualquiera en el arranque magnético para cambiar la rotación.

Diagramas de cableado de motores monofásicos

Bombas monofásicas

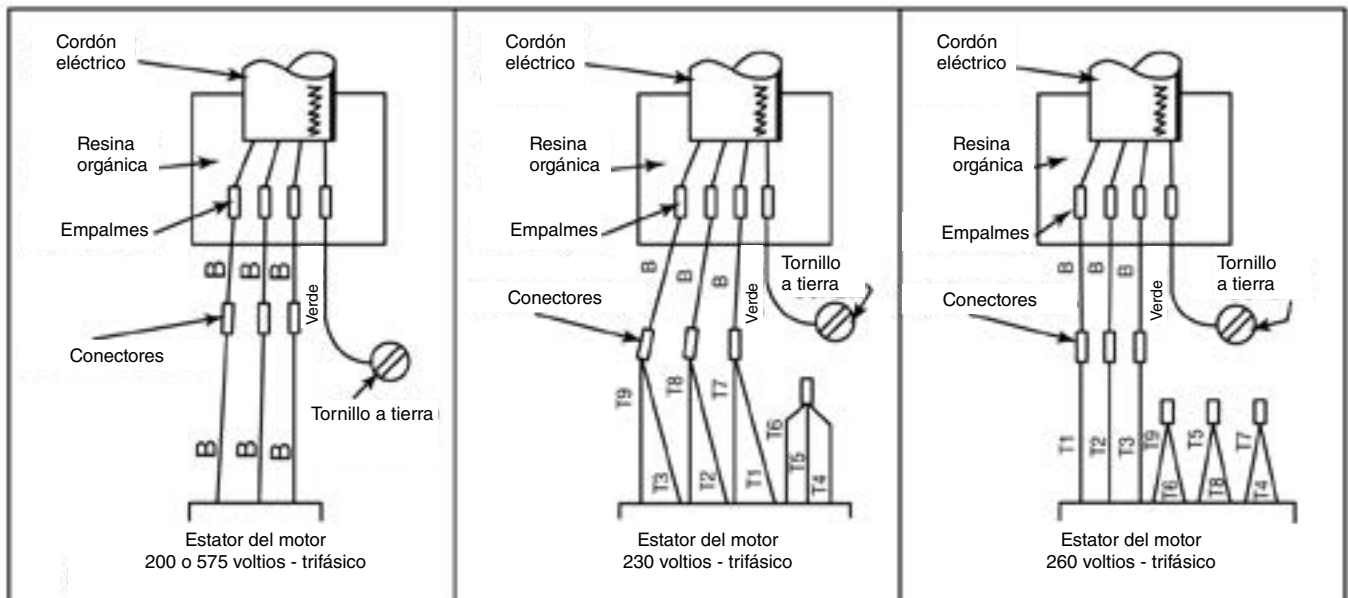
⚠ ADVERTENCIA Peligro de choque eléctrico. Esta bomba viene equipada con un conductor de puesta a tierra y una ficha de conexión de tipo puesta a tierra. Para reducir el peligro de un choque eléctrico, asegúrese de conectarla sólo a un receptáculo de tipo puesta a tierra, debidamente conectado a tierra.



Bombas de junta simple y bombas de junta doble sin sonda de fugas de la junta

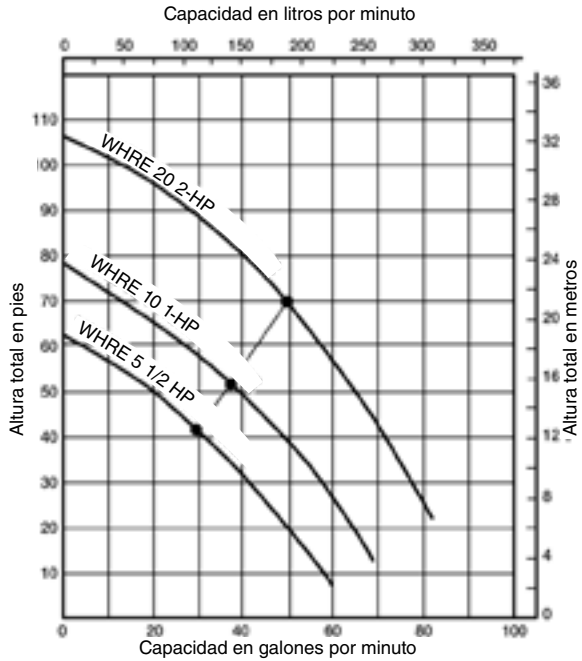
Bombas de junta doble con sonda de fugas de la junta
(el conductor rojo en el cordón eléctrico es para la sonda de fugas de la junta)

Diagramas de cableado para motores trifásicos

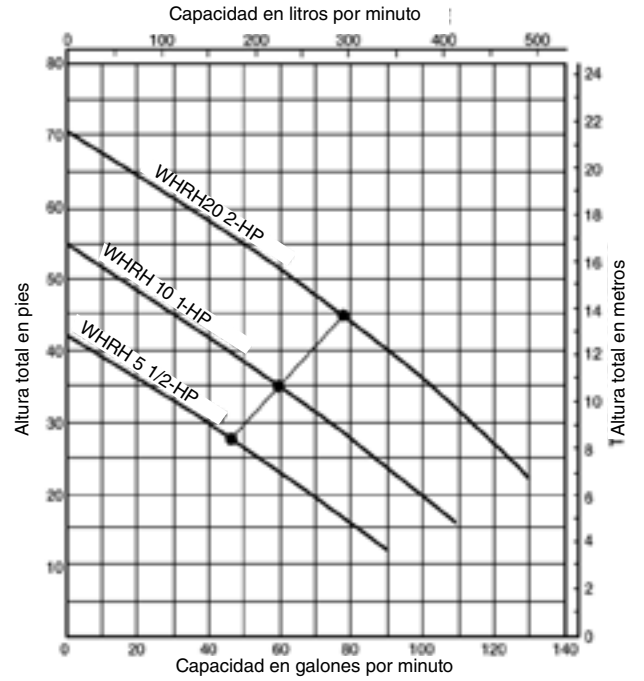


Para bombas de junta simple y bombas de junta doble sin sonda de fugas de la junta

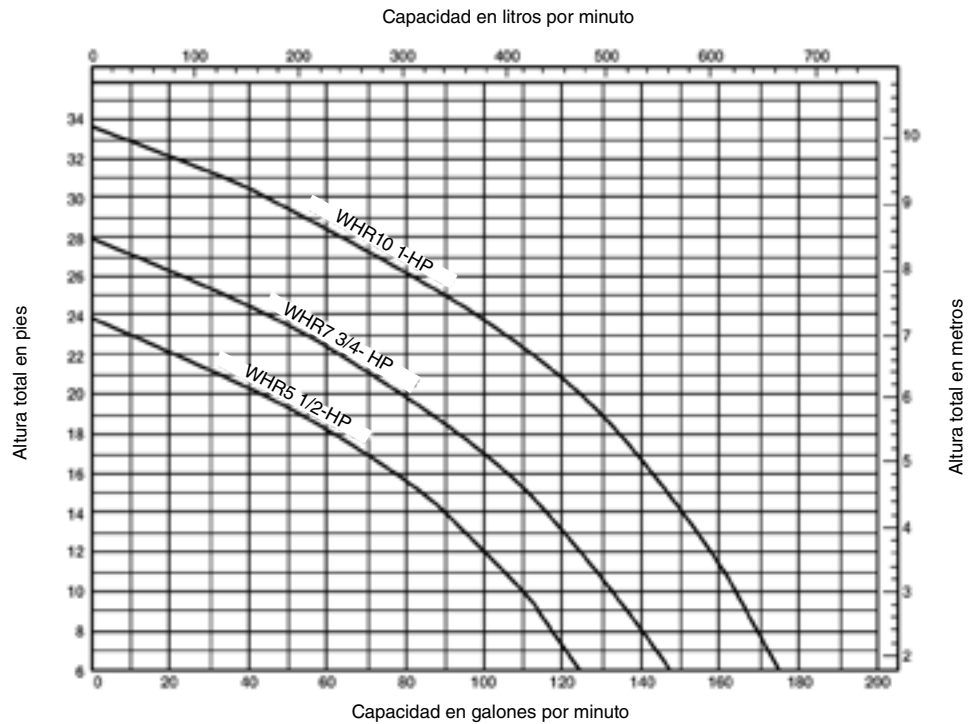
Curvas de rendimiento



Curva de rendimiento
Bombas de efluente de la serie WHRE



Curva de rendimiento
Bombas para el manejo de desechos de la serie WRRH



Curva de rendimiento
Bombas para el manejo de desechos de la serie WRR

Fig. 5 Bomba en tanque separado bombeando al montículo de infiltración

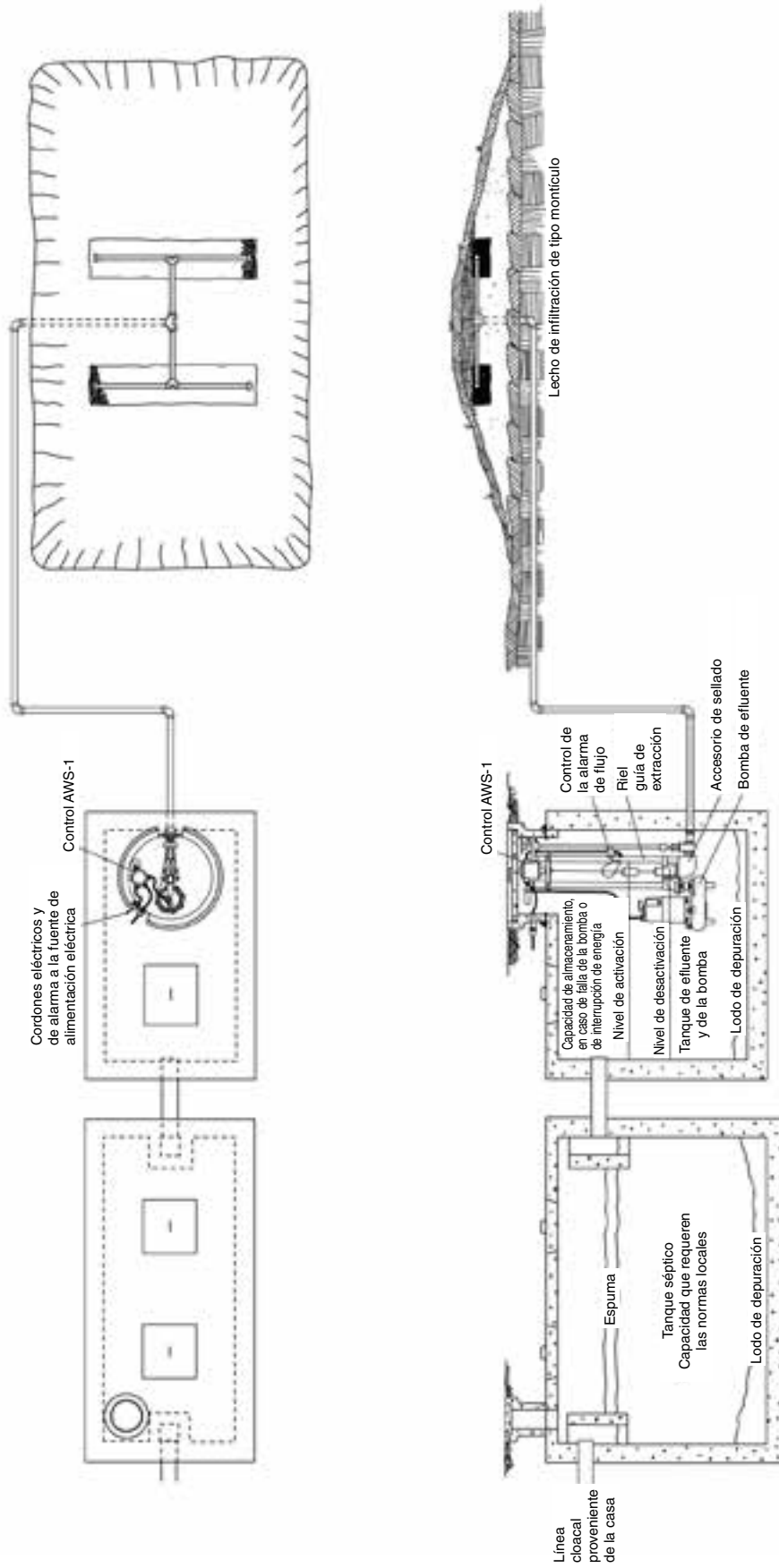


FIG. 5

Fig. 6 Bomba instalada en un depósito de fibra de vidrio a la salida del tanque séptico, se usa cuando se bombea en un alcantarillado principal a presión o en un campo de aplicación de fangos cloacales

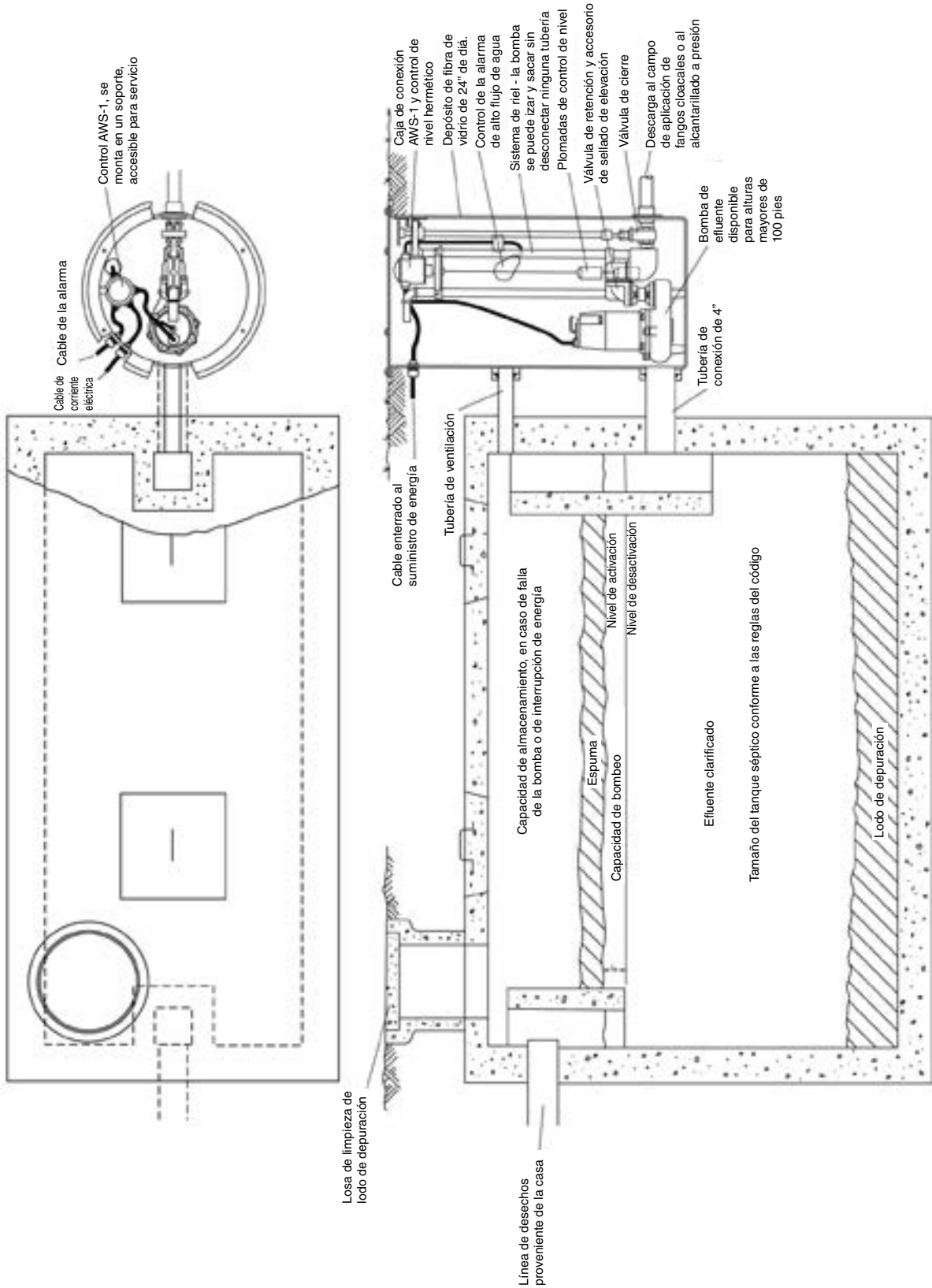


FIG. 6

Fig. 7 Bomba y controles instalados directamente en el tanque séptico se usan cuando se bombea en un alcantarillado principal a presión o en un campo de aplicación de fangos cloacales

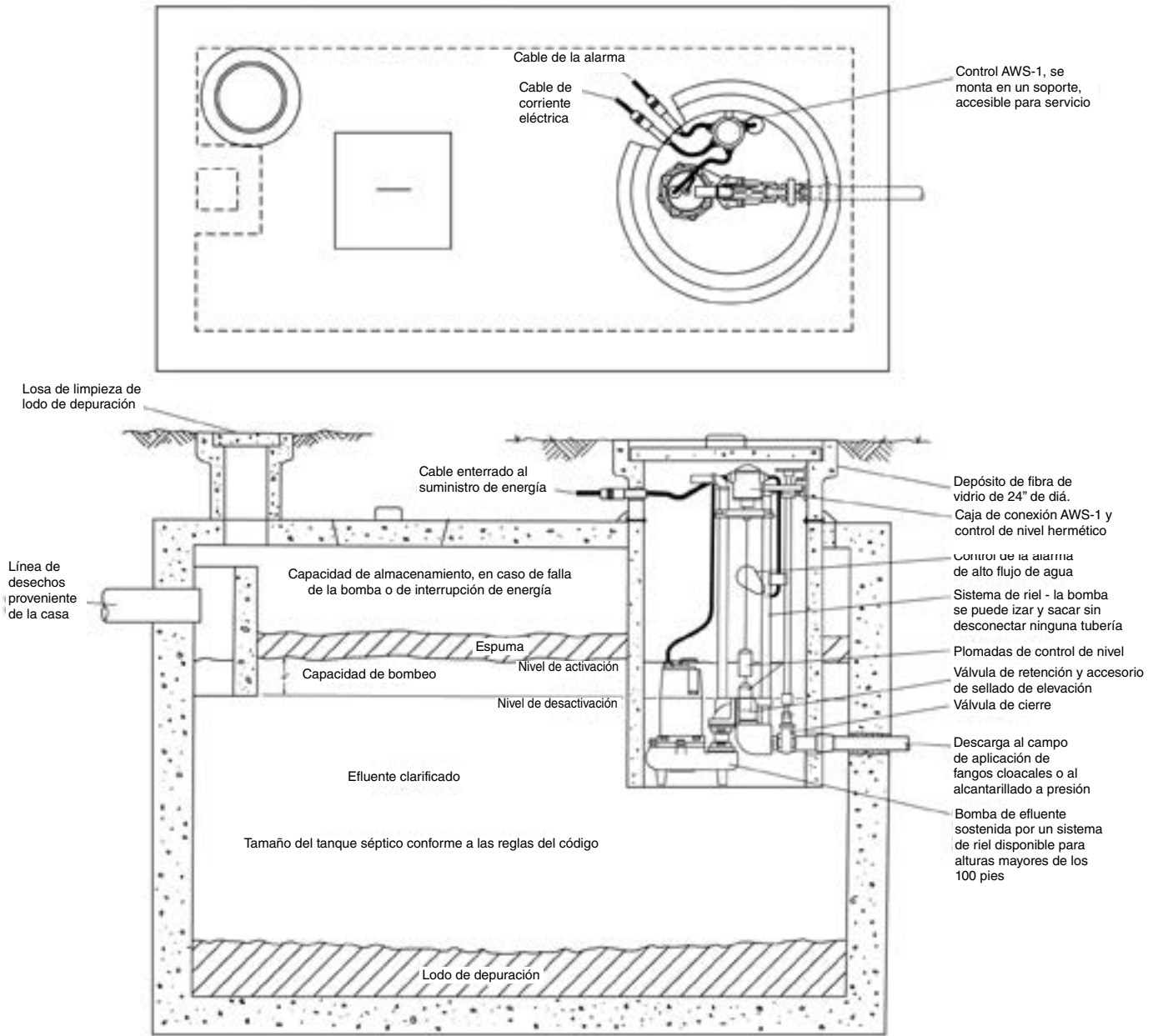


FIG. 7

Puntos a verificar si la bomba no marcha o no funciona correctamente

1. La bomba no marcha ni se enciende cuando el nivel del agua ha subido en el tanque.
 - a. Verifique si hay un fusible fundido o si se disparó el disyuntor.
 - b. Verifique que el interruptor de nivel no esté defectuoso
 - c. Cuando se use un tablero de control, verifique que el interruptor H-O-A esté en la posición AUTO. Coloque el interruptor en la posición HAND (manual), y si la bomba marcha, entonces el problema está en el sistema eléctrico automático. Haga que un ELECTRICISTA realice un chequeo del sistema eléctrico.
 - d. Verifique si el motor está quemado. Ocasionalmente, un relámpago puede perjudicar el motor, aún cuando tenga protección anti-rayos.
 - e. Cuando se usen cordones de enchufar, verifique que las patas de contacto estén limpias. **NO USE CORDONES DE ENCHUFAR DENTRO DE UN SUMIDERO O UN POZO DE BOMBEO.**
2. La bomba marcha pero no hay flujo.
 - a. Verifique que no hayan bolsas de aire. Encienda y detenga la bomba varias veces, si esto no ayuda, es posible que deba aflojar una unión en la tubería de descarga para dejar escapar la bolsa de aire.
 - b. Verifique que la válvula no esté instalada en la posición invertida. Verifique la posición de la flecha del flujo en el cuerpo de la válvula. Verifique la válvula de cierre, puede que esté cerrada.
 - c. Verifique la elevación vertical. Puede que esté más alta de lo que la bomba puede desarrollar (Consulte la curva de rendimiento de la bomba).
 - d. Es posible que el orificio de aspiración de la bomba esté obstruido con un trapo o con basura. Saque la bomba para inspeccionarla.
 - e. Si la bomba es trifásica, asegúrese de que la rotación de la bomba sea la correcta. (Consulte las instrucciones para verificar la rotación).
 - f. La esfera o la plomada de control de nivel puede estar atorada en un costado del depósito. Puede haber basura en la bola, impidiéndole flotar.

▲ ADVERTENCIA SIEMPRE DESENCHUFE EL CORDÓN O DESACTIVE EL DISYUNTOR ANTES DE REALIZAR TRABAJOS EN LA BOMBA. Si el tablero de control está lejos de la bomba, desconecte los cables conductores al motor para que nadie pueda volver a activar el disyuntor. Si el motor es trifásico, marque los cables conductores para que se puedan volver a colocar en el mismo orden.

Cómo desarmar la bomba para reemplazar las piezas

Limpie la bomba a fondo. Elimine todo el sarro y los depósitos. Sumerja la unidad completamente en una solución de chlorin durante una hora antes de desarmarla.

Para reemplazar los condensadores solamente

Los motores en todas las bombas monofásicas de las series WHR, WHRH y WHRE son de tipo de condensador auxiliar de arranque permanente, de manera que no tienen relés ni interruptor de arranque y sólo tienen un condensador de arranque que está en el circuito tanto para las condiciones de inicio como de marcha.

1. Saque el tapón de llenado de aceite en la parte superior del motor y vierta el aceite hacia afuera. Fig. 8
2. Saque los pernos de la caja del condensador y golpee la caja con un martillo de plástico para aflojarlos. Fig. 9

3. Levante la caja y desconecte los cables conductores del motor y los cables del condensador. Fig. 10
4. Saque la abrazadera del condensador y deslice el condensador hacia afuera. Reemplácelo con un condensador nuevo y vuelva a hacer las conexiones. Fig. 11 Estas instrucciones ilustran las conexiones de los cables.
5. Vuelva a colocar la caja del condensador, verifique que la junta tórica de caucho esté en su lugar. Fig. 12
6. Vuelva a llenar el motor con aceite de motor sumergible Myers, **NO LO RECARGUE DEMASIADO. EL NIVEL DEL ACEITE DEBE ESTAR A UNA PULGADA DE LA PARTE SUPERIOR DE LA PIEZA FUNDIDA.** Fig. 13
7. Verifique que la bomba gire libremente antes de volver a enchufarla. Coloque la bomba sobre un costado y haga girar el impulsor, usando un destornillador en el eje ranurado. Enchufe la bomba en el receptáculo para hacer una prueba de funcionamiento. La bomba debe marchar en forma silenciosa y sin vibraciones.



FIG. 8

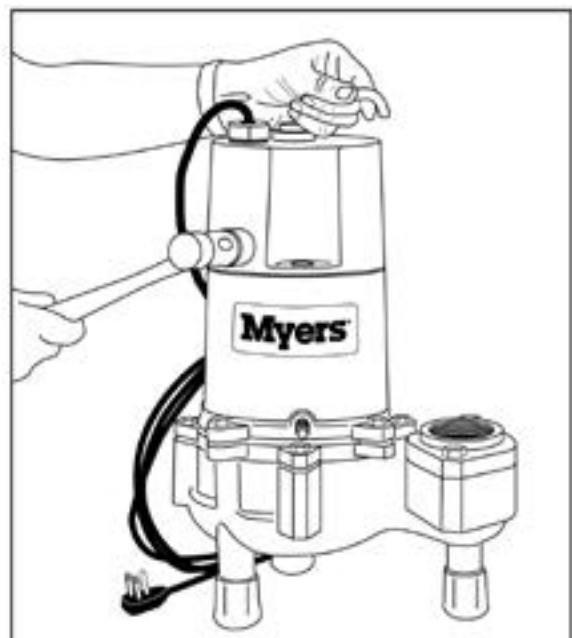


FIG. 9



FIG. 10

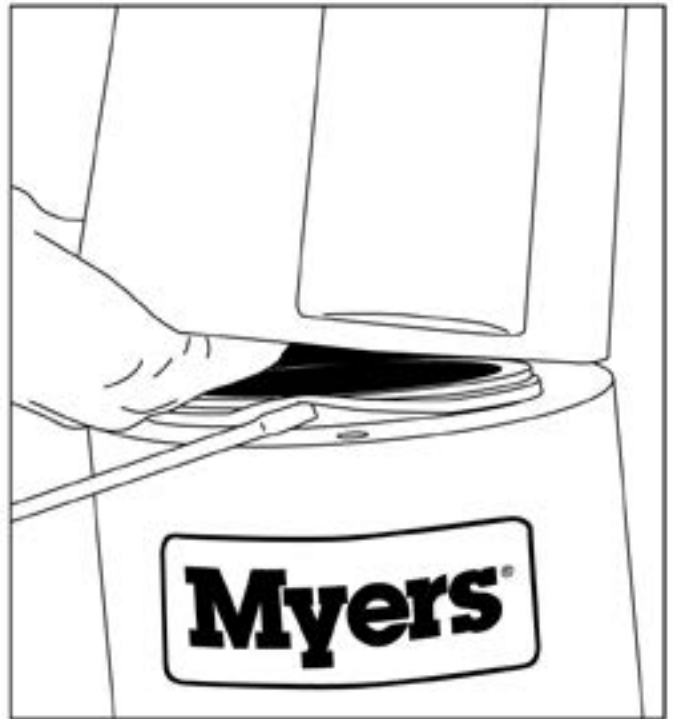


FIG. 12

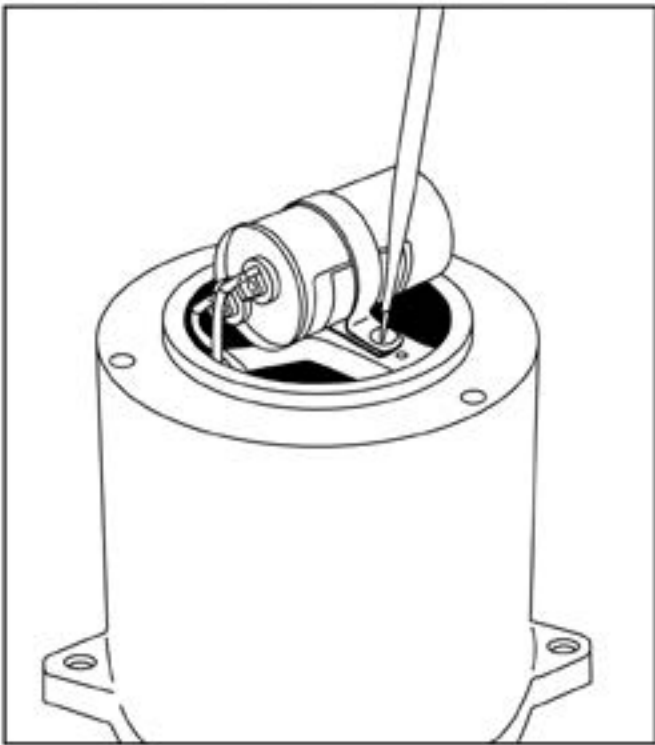


FIG. 11



FIG. 13

Para reemplazar el cordón eléctrico solamente

1. Saque la caja del condensador como se describe arriba. Desconecte los conductores del cordón del motor y saque el tornillo de puesta a tierra.
2. Destornille el manguito del cordón y sáquelo de la caja. Fig. 14
3. Reemplace con un nuevo accesorio y cordón, verifique que la junta tórica esté en su lugar. Fig. 14
4. Vuelva a colocar el tornillo de puesta a tierra y reconecte los cables del motor. Estas instrucciones ilustran el diagrama de cableado.
5. Vuelva a colocar la caja del condensador y vuelva a llenar el motor con aceite sumergible Myers. Consulte la Figura 13 para el nivel del aceite. A una pulgada de la parte superior de la pieza fundida.

Desarmar la bomba completamente para reemplazar el estator del motor y la junta

1. Vierta el aceite del motor y saque la caja del condensador como se describe arriba.
2. Saque los pernos del cárter del motor solamente. No saque los pernos que sostienen la placa del motor a la cubierta en voluta. Fig. 15



FIG. 14

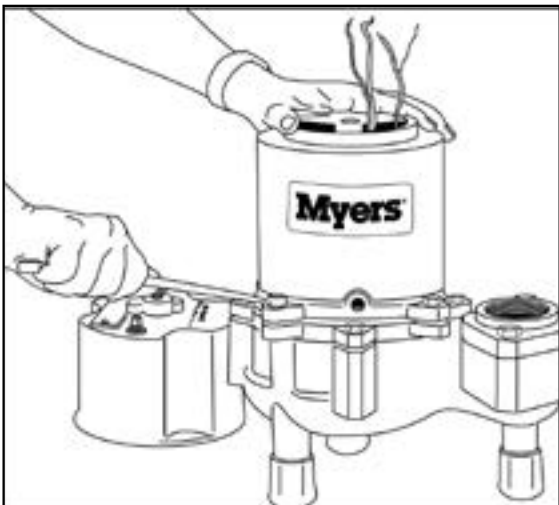


FIG. 15

3. Levante y saque el cárter del motor, separe las aletas haciendo palanca para aflojarlo. Fig. 16
4. Saque los pernos que sujetan la tapa de la caja y levante la unidad giratoria para sacarla. Separe las aletas haciendo palanca para aflojarla. Fig. 17
5. Sostenga el rotor y destornille la tuerca de fijación del impulsor. Gire en dirección opuesta a las agujas del reloj, ya que la rosca es a la derecha. Fig. 18.
6. Destornille el impulsor, gire en dirección opuesta a las agujas del reloj para aflojarlo. Fig. 19
7. Separe la junta haciendo palanca con destornilladores para sacarla. No importa si la junta se estropea, ya que se debe reemplazar. Reemplace ambas partes de la junta, nunca reemplace solamente una o la otra. Fig. 20.

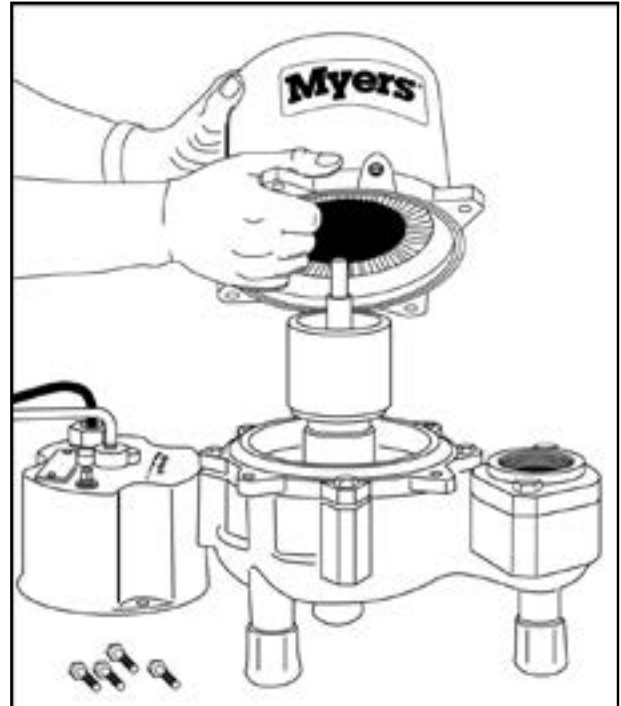


FIG. 16

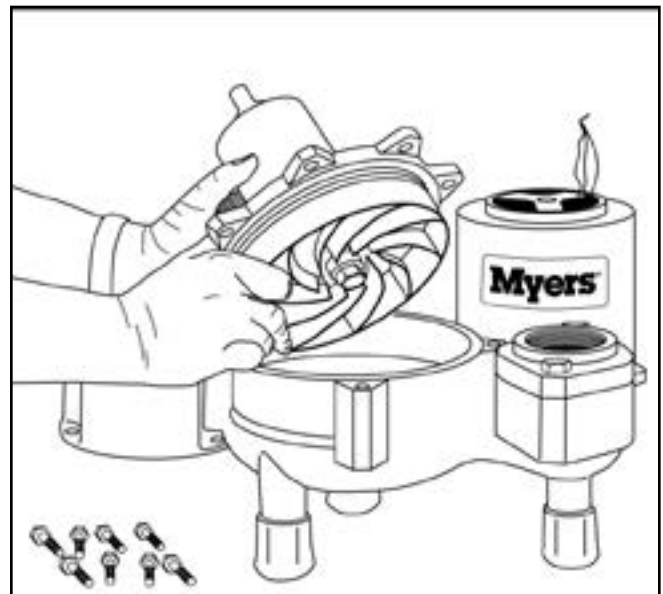


FIG. 17

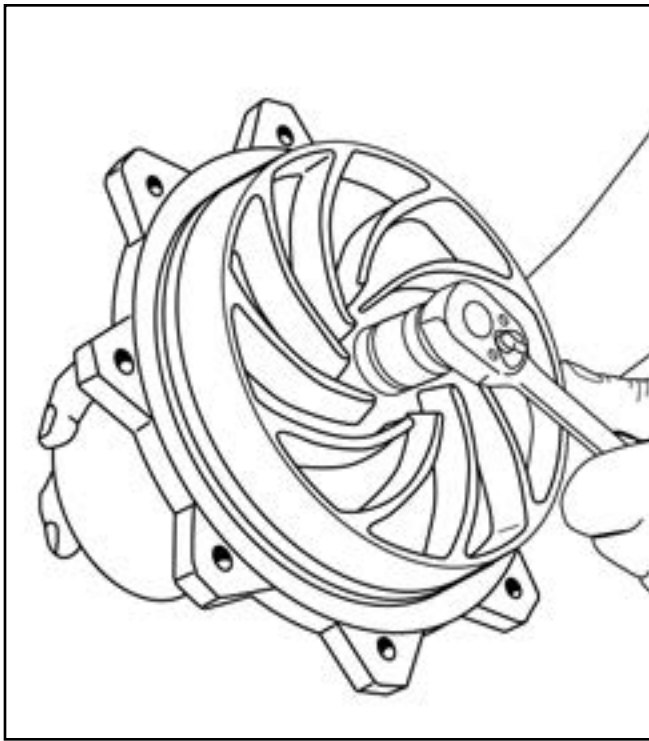
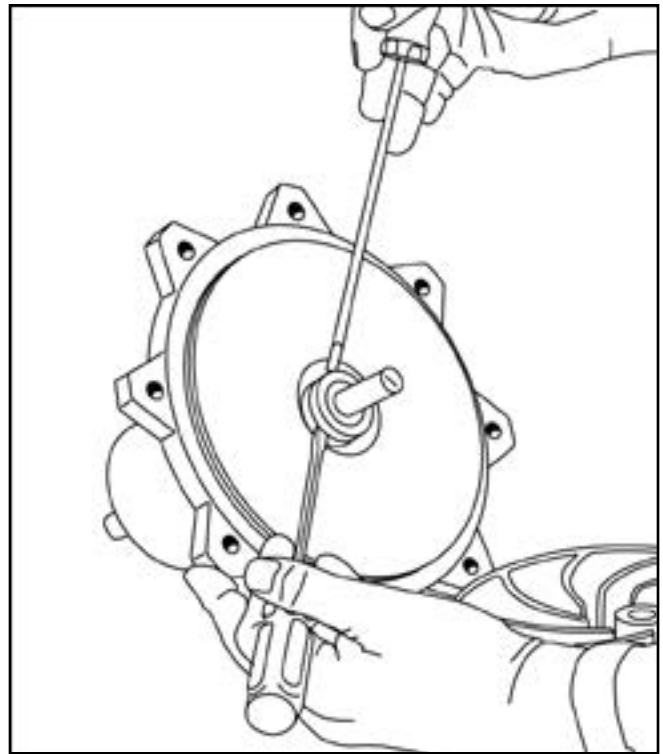


FIG. 18



del asiento y empuje la junta hacia adentro de la caja, use
FIG. 20

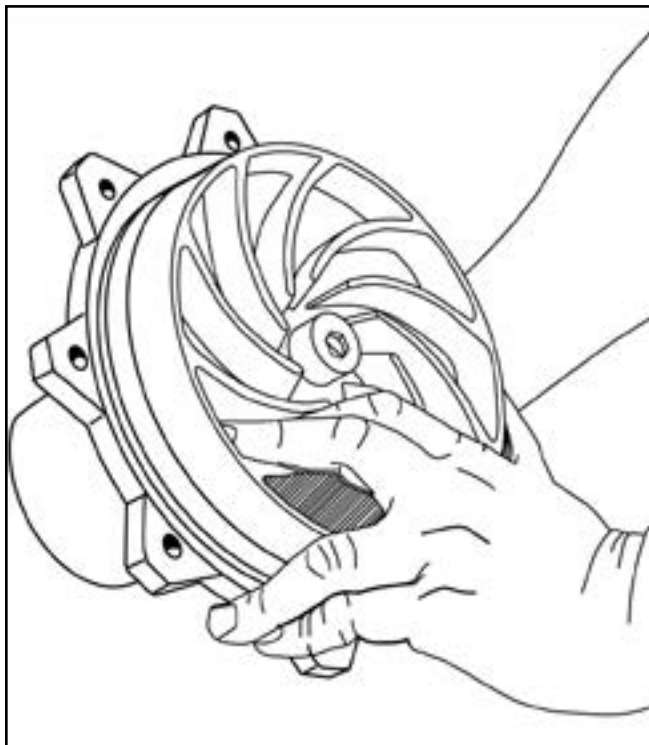


FIG. 19

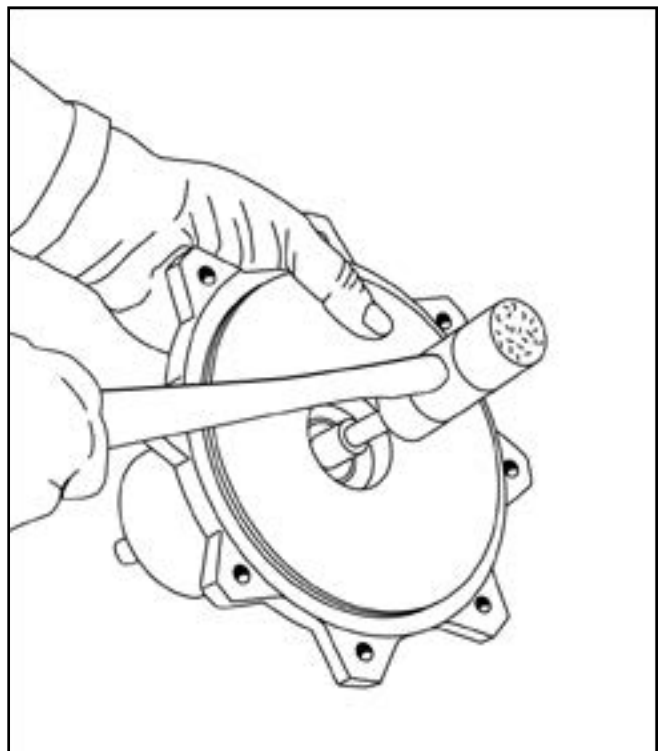


FIG. 21

8. Golpee el eje en un extremo con un martillo de plástico para empujar el cojinete de bolas desde la placa inferior del motor. Fig. 21.
9. Limpie la cavidad de la junta a fondo antes de reemplazar la junta de cerámica. Use grasa en la cúpula de caucho

una varilla de plástico para empujarla en posición. Limpie la superficie de la junta para eliminar todo indicio de suciedad, y use un aceite ligero en la superficie antes de instalar la parte de fuelle de la junta. Fig. 22

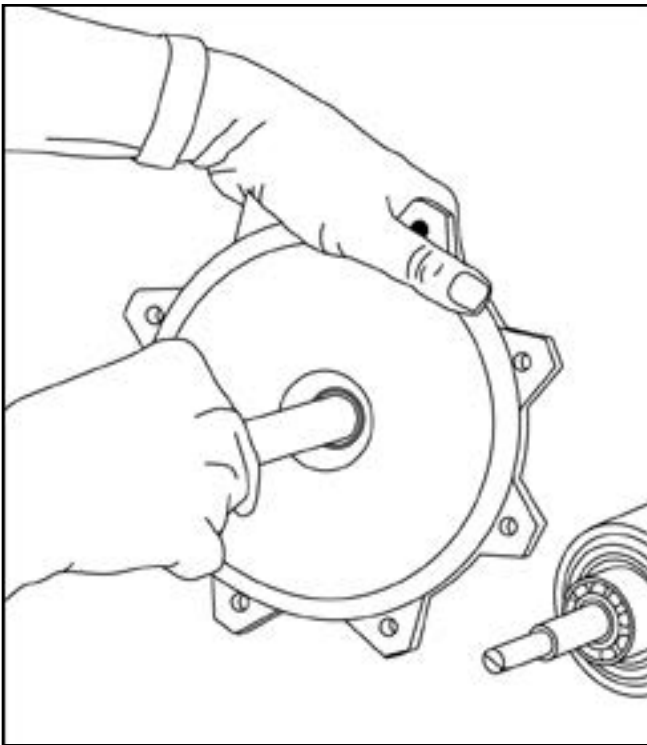


FIG. 22

10. Si es necesario reemplazar el cojinete de bolas, oprima y sáquelo en una prensa de husillo. Use tiras de metal entre el cojinete y el rotor para oprimir y sacarlo. Fig. 23. Siempre oprima en el anillo interior del cojinete cuando lo esté reemplazando.

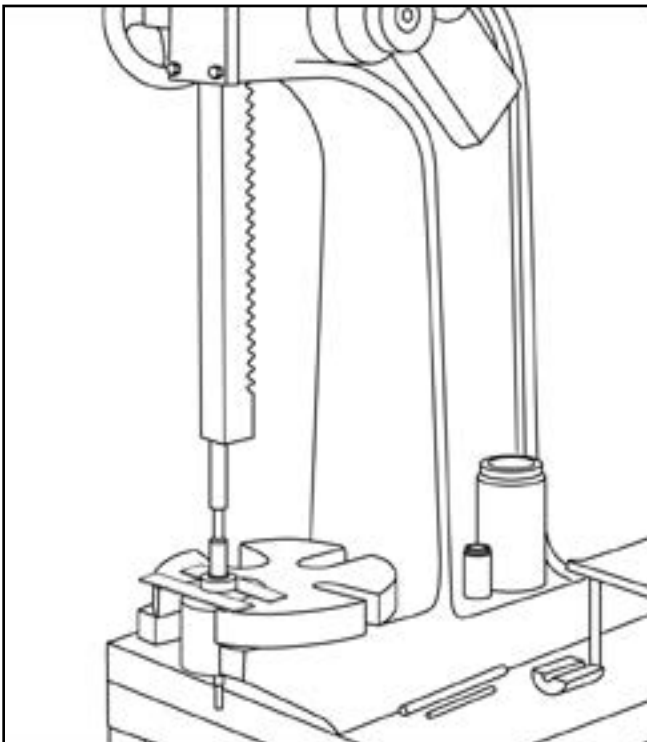


FIG. 23

11. Si es necesario reemplazar el estator del motor, use una caja nueva con el estator prensado dentro. Tanto la caja como el estator se deben reemplazar como una unidad ya que el estator viene prensado de fábrica y no se puede reemplazar en el terreno. Fig. 24
12. Al volver a armar, asegúrese de que la junta tórica de caucho y la arandela de empuje estén en su lugar, como se ilustra. Fig. 25

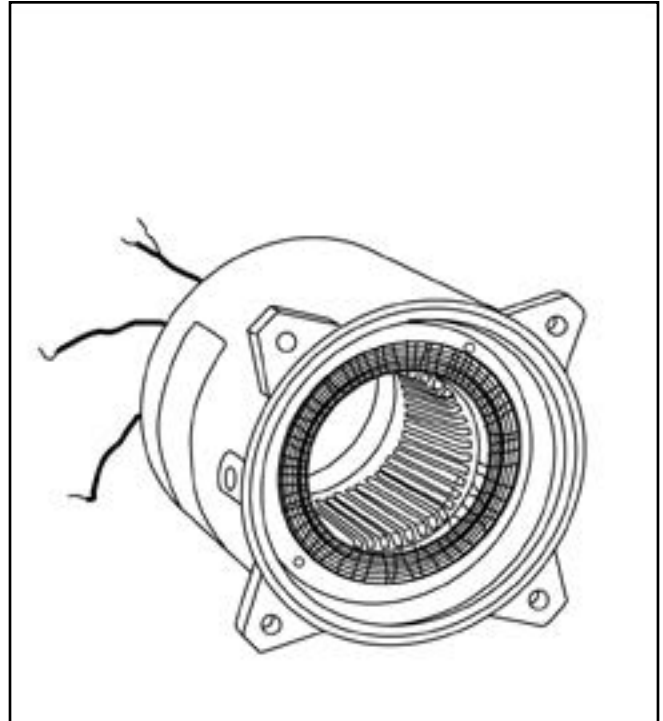


FIG. 24

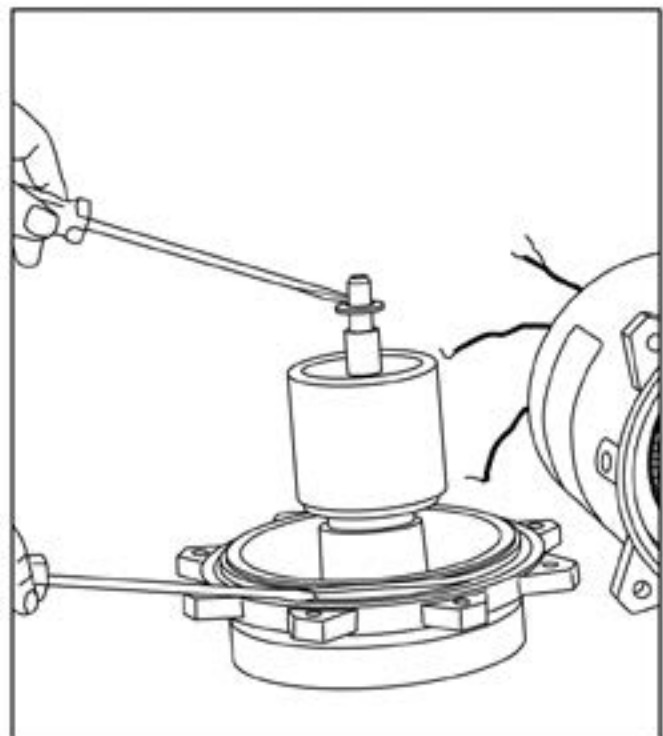


FIG. 25

Instrucciones especiales para reemplazar las juntas en las bombas con junta doble

1. Saque los tapones en el cárter del motor y en la caja de la junta y drene el aceite.
2. Saque los pernos de la placa inferior solamente.
3. Levante y saque la caja de la bomba.
4. Sostenga el impulsor y destornille la tuerca de sujeción. Sostenga el eje con un destornillador y destornille el impulsor, girando en dirección opuesta a las agujas del reloj.
5. Empuje y saque el fuelle de la junta y el asiento de cerámica. Rompa los asientos si fuese necesario, para sacarlos ya que estos deberán ser reemplazados por piezas nuevas.
6. **NUNCA USE PIEZAS DE JUNTAS VIEJAS. USE SOLAMENTE JUNTAS COMPLETAMENTE NUEVAS.**
7. Saque el aro elástico con pinzas para aros elásticos.
8. Empuje y saque el fuelle de la junta superior y el asiento de cerámica.
9. Si no ha entrado agua en el cárter del motor (inspeccione el bobinado con un ohmímetro o con un megóhmetro) limpie y seque bien la cámara de la junta y reemplace las juntas.
10. Reemplace el aceite en el cárter del motor y en la cámara de la junta. Use solamente aceite sumergible MYERS.
11. Si ha entrado agua en el motor, entonces saque la cámara de la junta, levante y saque la unidad del rotor y saque el rotor del motor. Consulte las instrucciones sobre cómo reemplazar el cojinete de bolas y el estator del motor, en la sección de la junta simple.

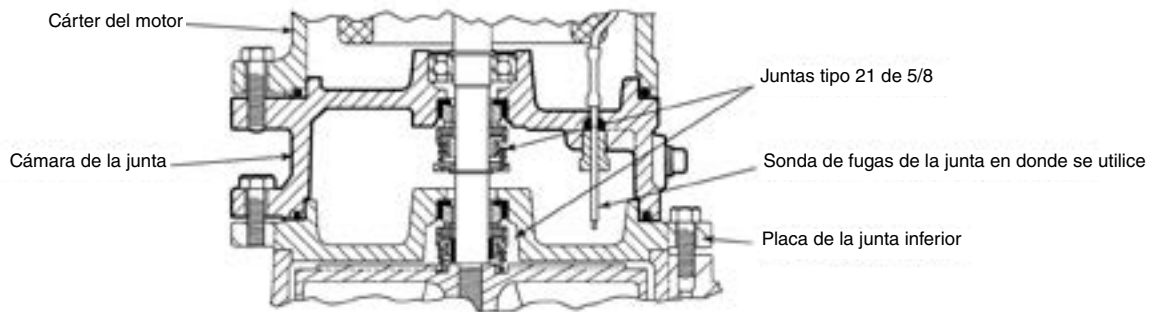
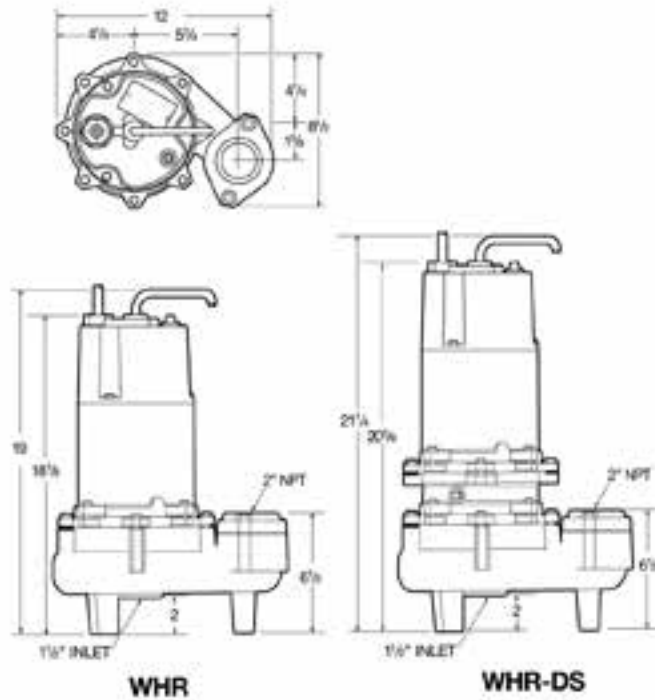
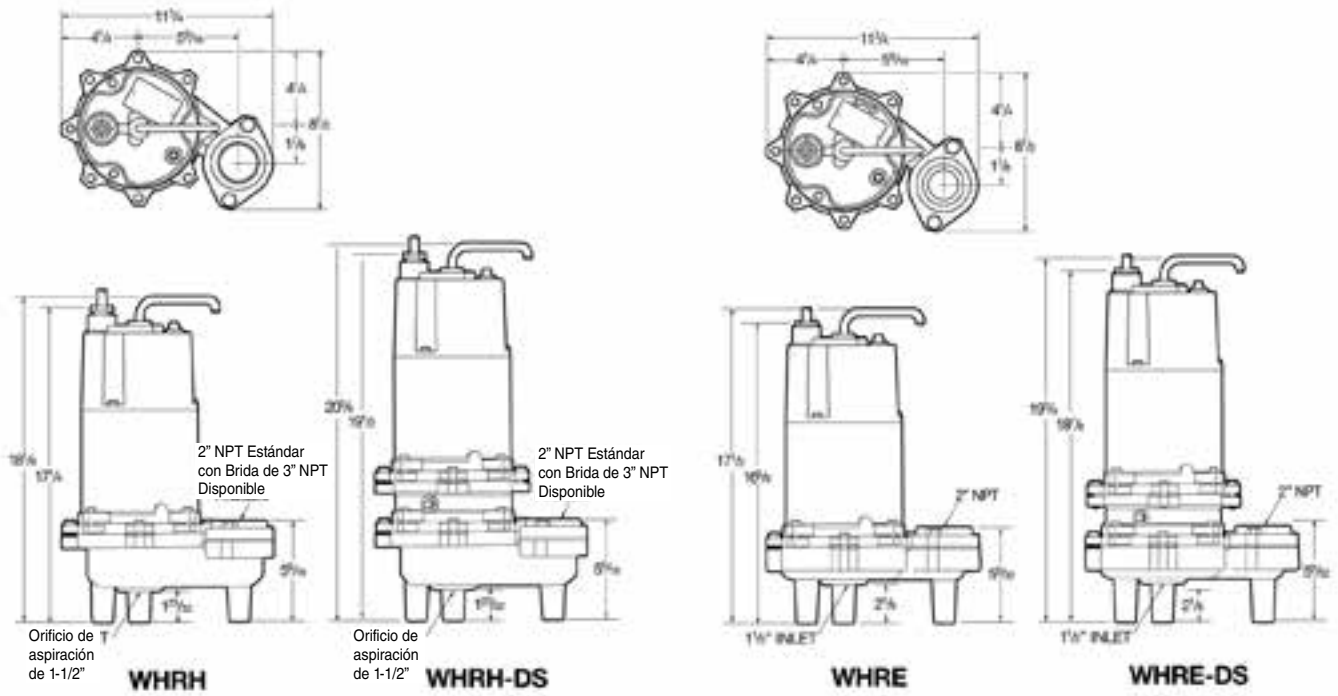


FIG. 26

Dimensiones de la bomba



GARANTÍA LIMITADA

F.E. MYERS le garantiza al comprador/consumidor original (“Comprador” o “Usted”) de los productos enumerados abajo, que estos estarán libres de defectos en material y mano de obra durante el Período de Garantía indicado a continuación.

Producto	Período de Garantía
Productos para sumideros/aguas residuales/efluente	24 meses desde la fecha de fabricación
Tanques de devanado de fibra de vidrio	5 años desde la fecha de la instalación inicial
Tanques a presión de acero	5 años desde la fecha de la instalación inicial
Bombas de chorro, pequeñas bombas centrífugas, bombas sumergibles y accesorios asociados	<i>lo que ocurra primero:</i> 12 meses desde la fecha de la instalación inicial, o 18 meses desde la fecha de fabricación

Nuestra garantía no se aplicará a ningún producto que, a nuestro sólo juicio, haya sido sometido a negligencia, mal uso, instalación inadecuada o mal mantenimiento. Sin perjuicio a lo que antecede, la garantía quedará anulada en el caso en que un motor trifásico se haya usado con una fuente de alimentación monofásica, a través de un convertidor de fase. Es importante indicar que los motores trifásicos deben estar protegidos por relés de sobrecarga de disparo extra-rápido, con compensación ambiental de tres etapas, del tamaño recomendado, de lo contrario, la garantía quedará anulada.

Su único recurso, y la única obligación de F.E. MYERS es que F.E. MYERS repare o reemplace los productos defectuosos (a juicio de F.E. MYERS). Usted deberá pagar todos los cargos de mano de obra y de envío asociados con esta garantía y deberá solicitar el servicio bajo garantía a través del concesionario instalador tan pronto como se descubra un problema. No se aceptará ninguna solicitud de servicio bajo garantía que se reciba después del vencimiento del Período de Garantía. Esta garantía no se puede transferir.

F.E. MYERS NO SE HARÁ RESPONSABLE DE NINGÚN DAÑO CONSECUENTE, INCIDENTAL O CONTINGENTE.

LAS GARANTÍAS QUE ANTECEDEN SON EXCLUSIVAS Y EN LUGAR DE TODA OTRA GARANTÍA EXPLÍCITA O IMPLÍCITA, INCLUYENDO PERO SIN LIMITARSE A LAS GARANTÍAS IMPLÍCITAS DE COMERCIABILIDAD E IDONEIDAD PARA UN FIN ESPECÍFICO. LAS GARANTÍAS QUE ANTECEDEN NO SE EXTENDERÁN MÁS ALLÁ DE LA DURACIÓN EXPRESAMENTE SUMINISTRADA EN LA PRESENTE.

Algunos estados no permiten la exclusión o limitación de daños incidentales o consecuentes o de limitaciones de tiempo sobre garantías implícitas, de modo que es posible que las limitaciones o exclusiones que preceden no correspondan en su caso. Esta garantía le otorga derechos legales específicos y es posible que usted también tenga otros derechos que pueden variar de un estado al otro.

Esta garantía reemplaza toda garantía publicada anteriormente.

F.E. MYERS
1101 Myers Parkway, Ashland, OH 44805-1989
Teléfono: 888-987-8677 • Fax: 800-426-9446 • www.femyers.com