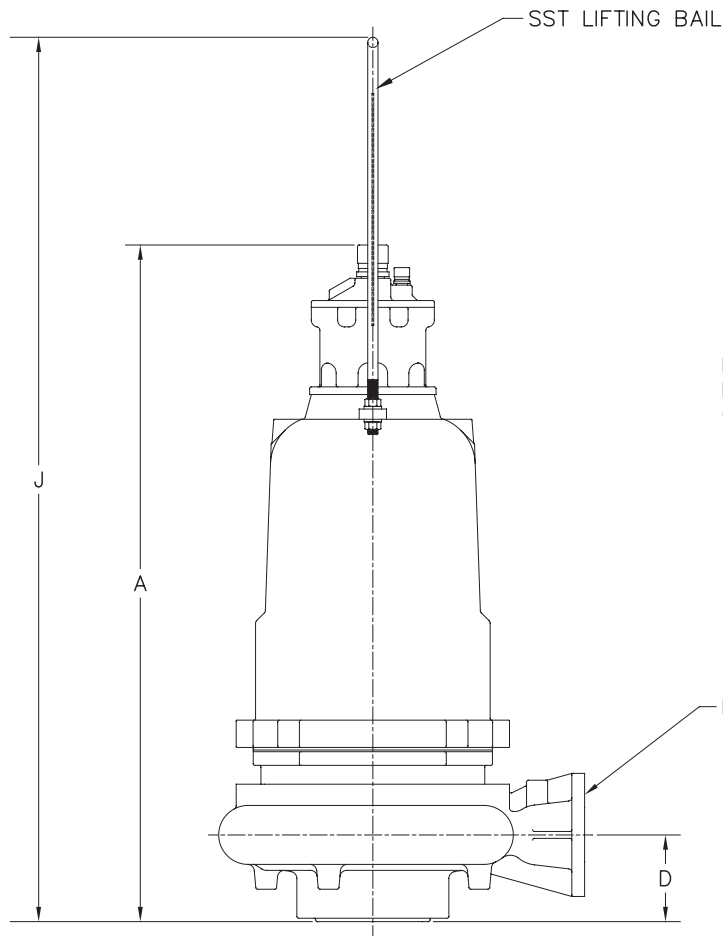
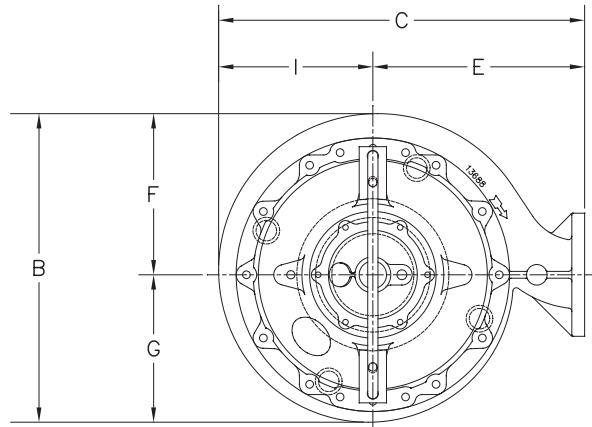


Dimensional Data – S4T/S4TX



NOTE:
FOR USE WITH THE M-T-M
GUIDE RAIL SYSTEM ONLY.

DISCHARGE FLANGE
4"-125# FLG.

	A	B	C	D	E	F	G	I	J
S4T	49-1/2	22-1/2	26-3/4	6-5/16	15-1/2	11-3/4	10-3/4	11-1/4	64-5/8
S4TX	52-1/4	22-1/2	26-3/4	6-5/16	15-1/2	11-3/4	10-3/4	11-1/4	67-3/8

ALL DIMENSIONS IN INCHES
NOTE: CASTING DIMENSIONS MAY VARY $\pm 1/8$ "