

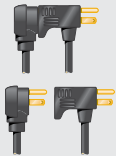


# HYDROMATIC® 224 SYSTEM SEWAGE EJECTOR PUMP/ BASIN PACKAGE

## Includes:

- SKV50AW1, 115v Automatic submersible sewage ejector (2" solids)
- 224 structural foam, sewage basin with cover, sealing kit, schedule 80 PVC discharge pipe and swing check valve
- Complete assembled or unassembled sewage packaged basin system (as shown) 2" or 3" available
- Durable structural foam split cover for easy maintenance
- Unique Hydromatic pump molded foot print basin design
- The plumber always has a complete package at the job

### Piggyback Switch Plug



The piggyback design allows for simple conversion to manual operation by simply removing the switch plug and inserting the motor plug directly into the electrical outlet. This feature provides an easy way of periodically cycling the pump to ensure it is operating properly.



# 224 SYSTEM Sewage Ejector Pump/Basin Package

## Features

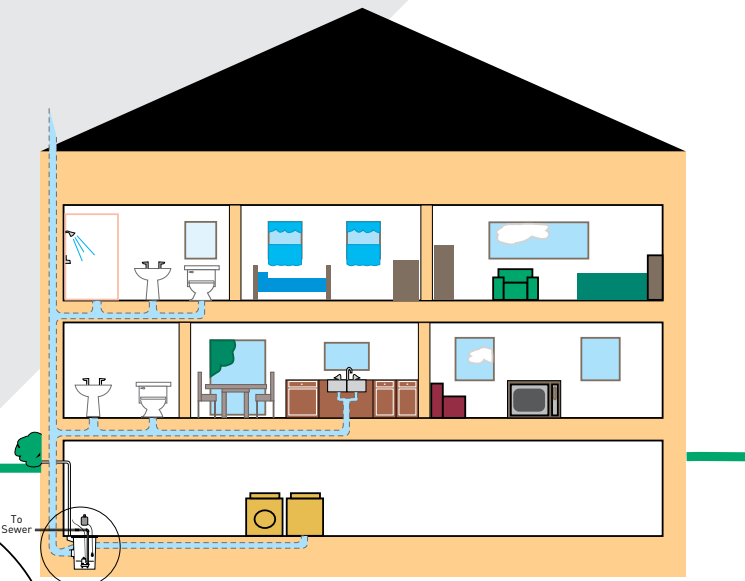
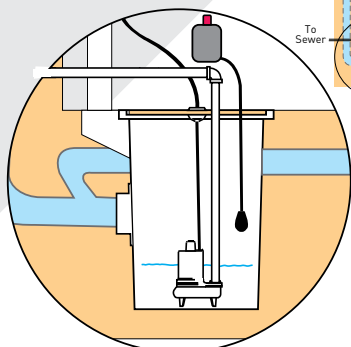
- The Hydromatic® 224 SYSTEM is specifically designed to meet the demands of residential wastewater and sewage applications. The SYSTEM includes the Hydromatic Model SKV50AW1, 1/2 HP, 115/230 volt sewage ejector, 2" solids handling, 2" NPT discharge. The SKV50AW1 can handle capacities up to 180 gallons per minute and heads up to 20 feet. The SKV50AW1 features heavy duty cast iron construction with an oil-filled motor for cooler operation, permanent lubrication of the bearings and a longer, trouble-free pump life. The SKV50AW1 features a wide-angle piggyback float switch for reliable automatic operation.
- The 224 SYSTEM also includes Hydromatic's 224 Sewage Basin. The 224 Basin is nestable for conserving storage space and reducing shipping costs. This super strong structural foam basin is impact resistant and corrosion proof. Extra strong upper flange prevents deflection during installation. The 224 Basin comes complete with all the fittings, schedule 80 piping, swing check valve, grommets, o-rings, gasketing material and hardware required so the plumber always has the complete package at the job site.

## 224 SYSTEM Typical Installation

### Package Includes:

- SKV50AW1 Automatic Sewage ejector and 224 structural foam basin complete with cover and sealing kit.

NOTE: Optional high water Alarm panel is recommended for all pump installations.



### Optional Accessories

- Hydromatic Q-Alert and Q-Alert XT indoor/outdoor high water alarm
- Hydromatic HDS Dialer System
- Basins, covers, check valves and sealing kits are also available separately

# 224 SYSTEM

## Benefits

### 224 Basin

- Unique split cover design allows the cover to be removed without having to disconnect the vent piping creating a quality, positive vent.
- Basins are nestable for multi-shipping and conserving warehouse space.
- Structural foam basins are made of durable polyethylene and injection molded for consistent quality.
- The lightweight, single piece construction allows for easier handling and installation. No heavy equipment or lifting required.
- Twelve 3/8" threaded inserts are molded in the top flange to fasten the lid on to the tank. This keeps the corrosive gases away and creates a strong unstrippable or unslippable insert.

### 224 Seal Kit

#### Every seal package is complete with the following:

- 2" electrical grommet with single or double electrical cord allowance.
- 4" inlet hub creates a positive seal and gives freedom so pipe alignment does not have to be perfect.
- 2" or 3" discharge o-rings available upon request.
- Neoprene gasket tape to attach to the tank lid to get a positive seal between basin and cover.
- 2" or 3" check valve is included with the package.
- The extra strong flange makes sure no deflection occurs during installation and cover always fits.

### 224 Kit

- Heavy duty structural foam cover made of injection molded for consistent quality.
- Strong and durable for abuse during installation, service and regular daily wear.
- The cover has allowances for the discharge seals, electrical grommet, and bolt holes.

## Basin Dimensional Data



# 224 SYSTEM

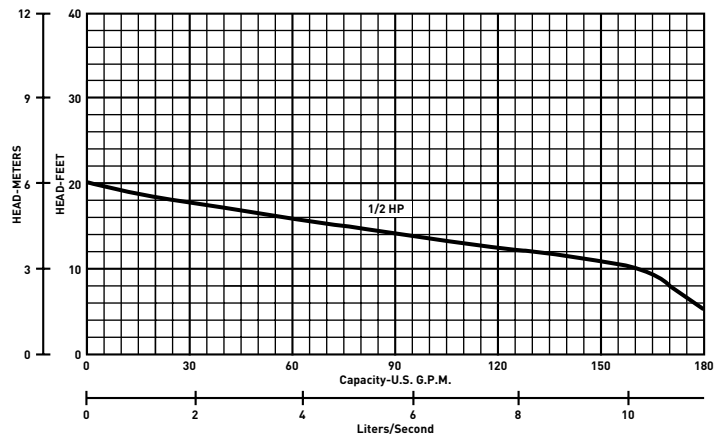
## Pump Characteristics

Pump/Motor Unit	Submersible
Automatic Models	SKV50AW1
Horsepower	1/2
Full Load Amps	11.0
Motor Type	Split Phase
R.P.M.	1750
Phase Ø	1
Voltage	115
Hertz	60
Operation	Intermittent
Temperature	140°F Ambient
NEMA Design	L
Insulation	Class B
Discharge Size	2" NPT std.
Solids Handling	2"
Unit Weight	54 lbs.
Power Cord	16/3, SJTA, 115V = 10' std.

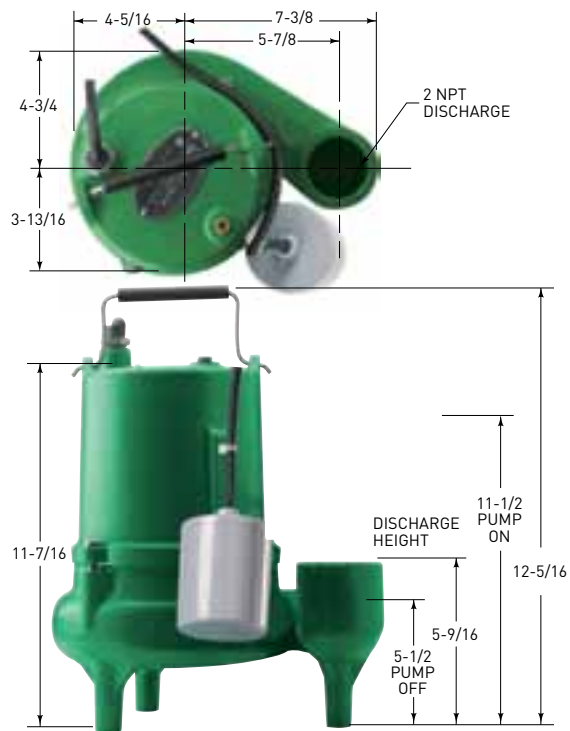
## Materials of Construction

Part Name	Material
Handle	Stainless Steel
Lubricating Oil	Dielectric Oil
Motor Housing	Cast Iron
Seal Plate	Engineered Thermoplastic
Pump Casing	Cast Iron
Shaft	Stainless Steel
Mechanical Shaft Seal	Seal Faces: Carbon/Ceramic Seal Body: Brass Spring: Stainless Steel Bellows: Buna-N
Impeller	Engineered Thermoplastic
Upper Bearing	Single Row Ball Bearing
Lower Bearing	Single Row Ball Bearing
Fasteners	Stainless Steel

## Performance Data



## Dimensional Data



All dimensions in inches. Metric for international use. Component dimensions may vary  $\pm 1/8$  inch. Dimensional data not for construction purpose unless certified. Dimensions and weights are approximate. On/Off level adjustable.



USA  
293 WRIGHT STREET, DELAVAN, WI 53115 WWW.HYDROMATIC.COM  
PH: 888-957-8677 ORDERS FAX: 800-426-9446

CANADA  
269 TRILLIUM DRIVE, KITCHENER, ONTARIO, CANADA N2G 4W5  
PH: 519-896-2163 ORDERS FAX: 519-896-6337

Because we are continuously improving our products and services, Pentair reserves the right to change specifications without prior notice.