

MULTI-STAGE BOOSTER PUMPS - MH SERIES

FEATURES

- All 300-series stainless steel wet end
- Mechanical seal with carbon/ceramic faces, FKM elastomers, and 300-series stainless steel components
- Industry proven, UL778 approved, indoor/outdoor rated square-flange 2-compartment motors; three-phase inverter duty rated
- Available in 15, 30, and 45 gpm nominal flow ratings
- Maximum fluid temperatures up to 225 °F / 107C; maximum working pressure of 140 psi.
- Capable of suction lifts of up to 10 feet



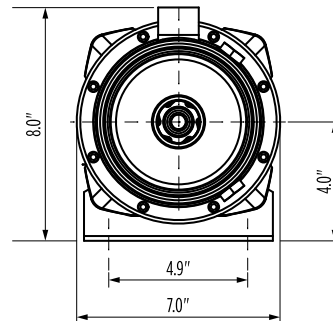
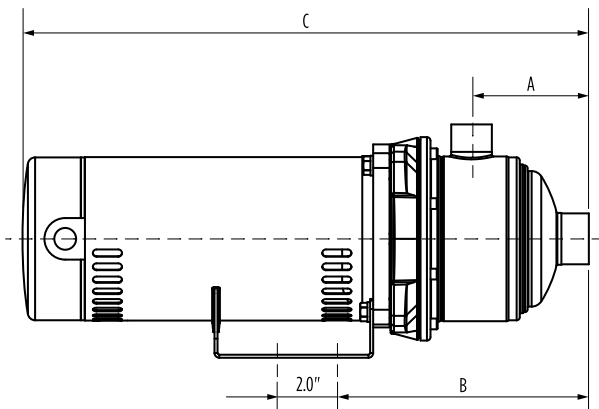
ORDERING INFORMATION

Dis. x Suc. (NPT)	Phase	Voltage	GPM	Stage	HP	S.F.A.	Model No.	Order No.	Wt. (lbs)
1" x 1-1/4"	1	115/230	15	2	1/2	9.4/4.7	15FMH05S2	96061500	22
				3	3/4	12.4/6.2	15FMH07S3	96061501	25
				4	1	14.8/7.4	15FMH1S4	96061502	29
				5	1-1/2	19.9/9.95	15FMH1S5S	96061503	35
				6	2	24.0/12.0	15FMH2S6	96061504	40
				2	3/4	12.4/6.2	30FMH07S2	96063000	25
1" x 1-1/4"	1	115/230	30	3	1	14.8/7.4	30FMH1S3	96063001	33
				4	1-1/2	19.9/9.95	30FMH1S4	96063002	37
				5	2	24.0/12.0	30FMH2S5	96063003	41
1-1/4" x 1-1/2"	1	115/230	45	2	1-1/2	19.9/9.95	45FMH1S2	96064500	33
				3	2	24.0/12.0	45FMH2S3	96064501	39
1" x 1-1/4"	3	208-230/460	15	2	1/2	3.0/1.5	15FMH05S2-T	96061510	24
				3	3/4	3.6/1.8	15FMH07S3-T	96061511	24
				4	1	4.7/2.35	15FMH1S4-T	96061512	29
				5	1-1/2	6.8/3.4	15FMH1S5S-T	96061513	34
				6	2	8.5/4.25	15FMH2S6-T	96061514	42
1" x 1-1/4"	3	208-230/460	30	2	3/4	3.6/1.8	30FMH07S2-T	96063010	24
				3	1	4.7/2.35	30FMH1S3-T	96063011	33
				4	1-1/2	6.8/3.4	30FMH1S4-T	96063012	36
1-1/4" x 1-1/2"	3	208-230/460	45	5	2	8.5/4.25	30FMH2S5-T	96063013	43
				2	1-1/2	6.8/3.4	45FMH1S2-T	96064510	32
				3	2	8.5/4.25	45FMH2S3-T	96064511	41

MULTI-STAGE BOOSTER PUMPS - MH SERIES

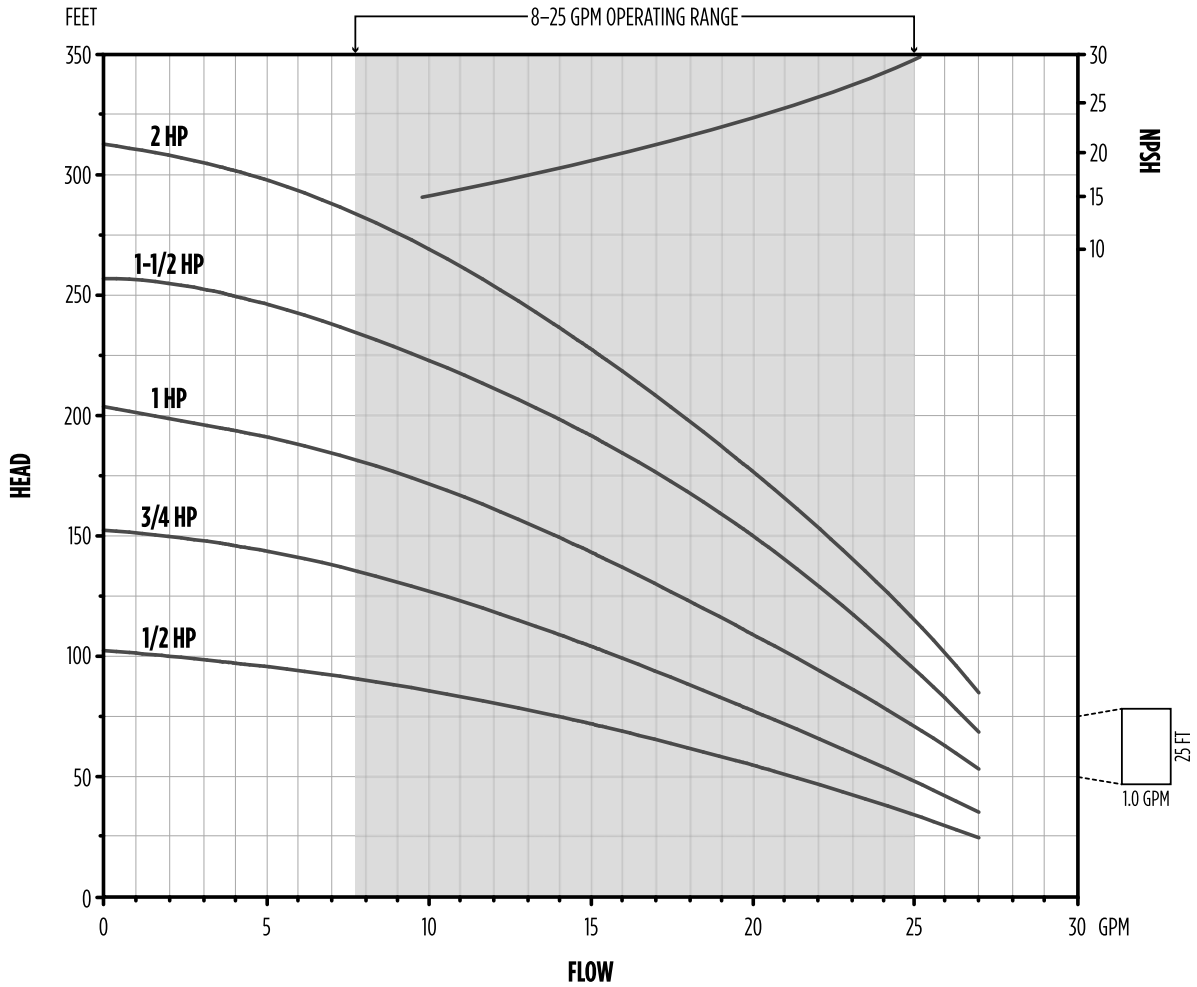
DIMENSIONS

Phase	GPM	Stage	HP	Model	A	B	C
1	15	2	1/2	15FMH05S2	4.06"	8.75"	16.75"
		3	3/4	15FMH07S3	4.06"	8.75"	17.50"
		4	1	15FMH1S4	5.00"	9.69"	19.07"
		5	1-1/2	15FMH1S5	5.94"	10.64"	20.81"
		6	2	15FMH2S6	6.89"	11.58"	22.59"
		2	3/4	30FMH07S2	4.06"	8.75"	17.50"
	30	3	1	30FMH1S3	4.06"	8.75"	19.00"
		4	1-1/2	30FMH1S4	5.00"	9.69"	20.70"
		5	2	30FMH2S5	5.94"	10.64"	21.64"
	45	2	1-1/2	45FMH1S2	4.65"	9.34"	19.67"
		3	2	45FMH2S3	4.65"	9.34"	20.50"
	3	15	2	1/2	15FMH05S2-T	4.06"	8.75"
3			3/4	15FMH07S3-T	4.06"	8.75"	17.62"
4			1	15FMH1S4-T	5.00"	9.69"	18.92"
5			1-1/2	15FMH1S5-T	5.94"	10.64"	20.78"
6			2	15FMH2S6-T	6.89"	11.58"	22.56"
2			3/4	30FMH07S2-T	4.06"	8.75"	17.62"
30		3	1	30FMH1S3-T	4.06"	8.75"	18.85"
		4	1-1/2	30FMH1S4-T	5.00"	9.69"	20.67"
		5	2	30FMH2S5-T	5.94"	10.64"	21.61"
45		2	1-1/2	45FMH1S2-T	4.65"	9.34"	19.64"
		3	2	45FMH2S3-T	4.65"	9.34"	20.47"



MULTI-STAGE BOOSTER PUMPS - MH SERIES

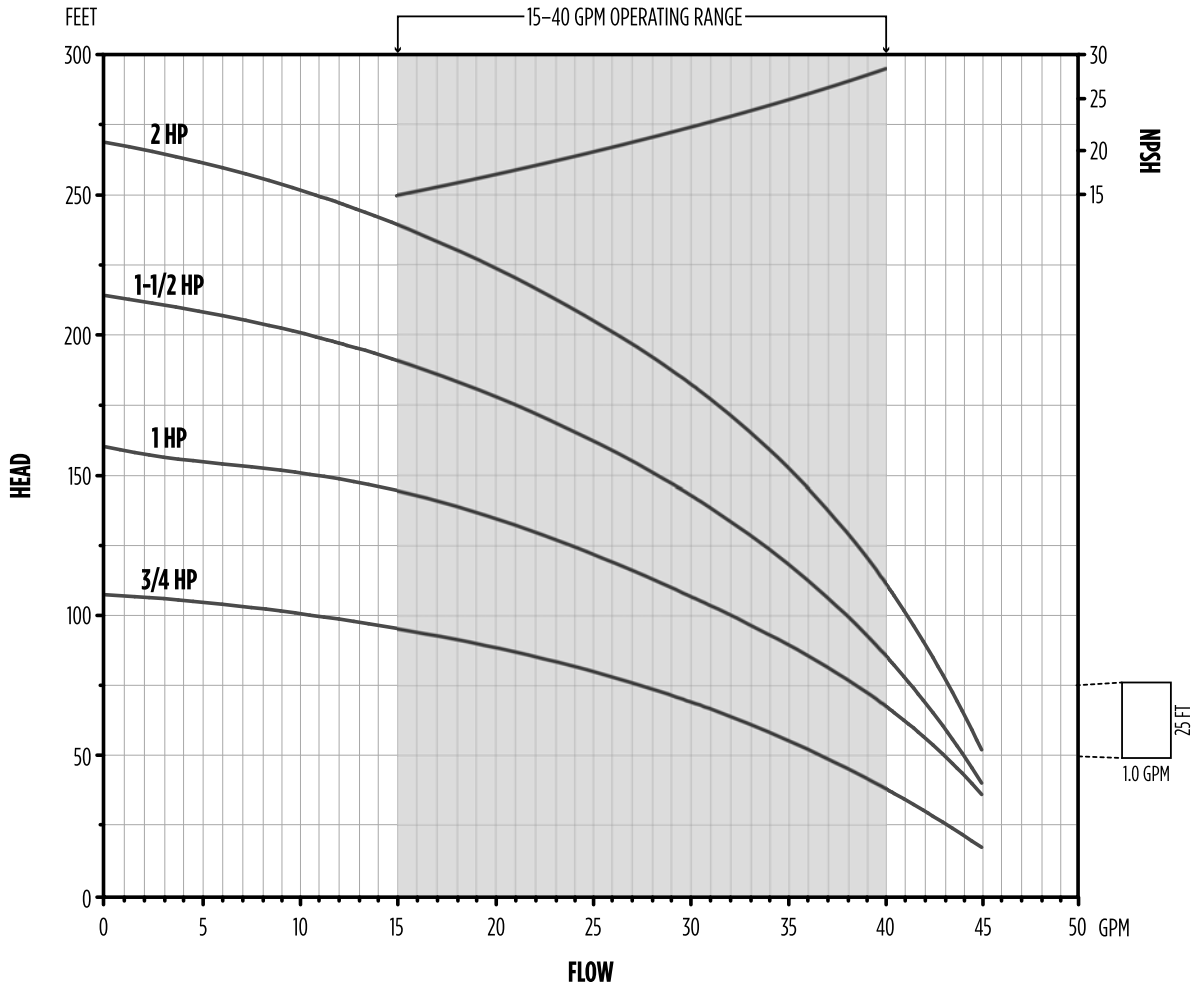
PERFORMANCE - 15 GPM



Model	HP	Total Head (ft)																				Shut-off Head (PSI)			
		50	60	70	80	90	100	110	120	130	140	150	160	170	180	190	200	210	220	230	240		250	260	270
		Capacities (GPM)																							
15FMH05S2	1/2	21.0	18.0	15.0	12.0	8.0	1.0	-	-	-	-	-	-	-	-	-	-	-	-	-	-	-	-	-	44
15FMH05S2-T																									
15FMH07S3	3/4	25.0	23.0	21.0	19.0	18.0	16.0	14.0	12.0	9.0	6.0	1.0	-	-	-	-	-	-	-	-	-	-	-	-	66
15FMH07S3-T																									
15FMH1S4	1	-	26.0	25.0	24.0	23.0	21.0	20.0	18.0	17.0	15.0	14.0	12.0	10.0	8.0	5.0	1.0	-	-	-	-	-	-	-	88
15FMH1S4-T																									
15FMH1S5S	1-1/2	-	-	27.0	26.0	25.0	25.0	24.0	23.0	22.0	21.0	20.0	19.0	18.0	16.0	15.0	14.0	12.0	10.0	9.0	6.0	4.0	-	-	111
15FMH1S5S-T																									
15FMH2S6	2	-	-	-	-	27.0	26.0	25.0	25.0	24.0	23.0	22.0	21.0	21.0	20.0	19.0	18.0	17.0	16.0	15.0	14.0	12.0	11.0	10.0	135
15FMH2S6-T																									

MULTI-STAGE BOOSTER PUMPS - MH SERIES

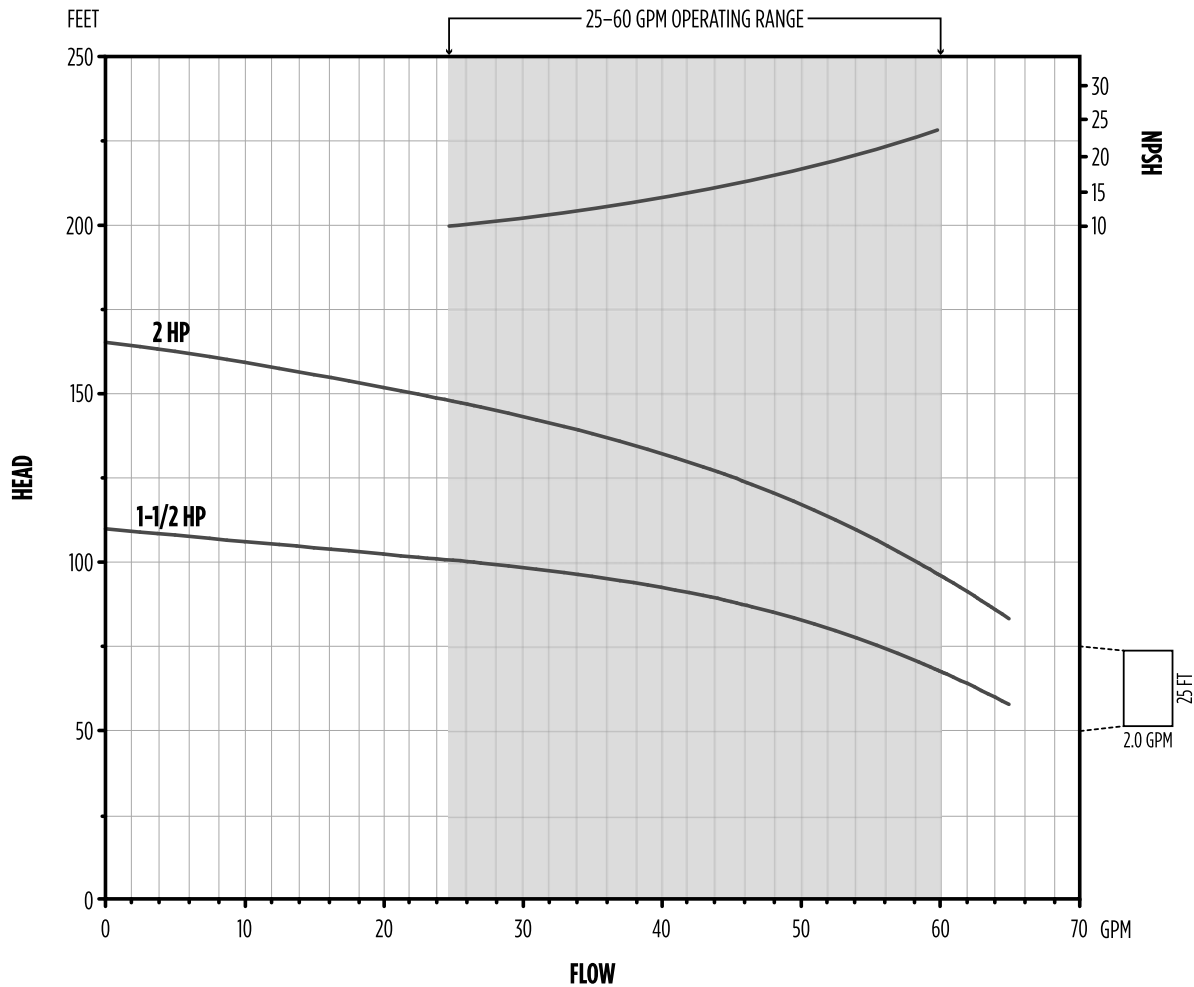
PERFORMANCE - 30 GPM



Model	HP	Total Head (ft)																			Shut-off Head (PSI)	
		50	60	70	80	90	100	110	120	130	140	150	160	170	180	190	200	210	220	230		240
		Capacities (GPM)																				
30FMH07S2	3/4	37.0	33.0	30.0	25.0	19.0	10.0	-	-	-	-	-	-	-	-	-	-	-	-	-	47	
30FMH07S2-T																						
30FMH1S3	1	43.0	41.0	40.0	37.0	35.0	32.0	29.0	26.0	22.0	17.0	11.0	-	-	-	-	-	-	-	-	69	
30FMH1S3-T																						
30FMH1S4	1-1/2	44.0	43.0	42.0	41.0	39.0	38.0	36.0	35.0	33.0	31.0	28.0	26.0	23.0	19.0	15.0	10.0	3.0	-	-	93	
30FMH1S4-T																						
30FMH2S5	2	-	44.0	44.0	43.0	42.0	41.0	40.0	39.0	38.0	37.0	35.0	34.0	32.0	30.0	28.0	26.0	24.0	21.0	18.0	15.0	116
30FMH2S5-T																						

MULTI-STAGE BOOSTER PUMPS - MH SERIES

PERFORMANCE - 45 GPM



Model	HP	Total Head (ft)											Shut-off Head (PSI)	
		60	70	80	90	100	110	120	130	140	150	160		
Capacities (GPM)														
45FMH15S2	1-1/2	64.0	59.0	52.0	43.0	26.0	-	-	-	-	-	-	-	47
45FMH15S2-T														
45FMH2S3	2	-	-	-	62.0	58.0	54.0	48.0	42.0	33.0	22.0	9.0	71	
45FMH2S3-T														