

SELF-PRIMING PUMPS

Irrigation and sprinkler pumps are designed for supplying large volumes of water from a lake or pond supply to an irrigation system. They can also be in high-volume applications transferring water between locations.

PRODUCT FAMILY

- Turf Boss
- FBSE Series

APPLICATIONS

- Agricultural Irrigation
- Lawn Sprinkling
- Industrial Dewatering
- HVAC Systems (Heat Pump and Air Conditioning)
- Water Transfer and Supply
- Freshwater Pumping
- Commercial/Industrial Liquid Transfer
- Dewatering
- Flood Irrigation
- Livestock Watering
- Septic Tank Installations (in areas with drainage problems)



Turf Boss

FBSE Series

SELF-PRIMING IRRIGATION PUMPS - TURF BOSS, 1-2 HP

FEATURES

- Self-priming design with the ability to lift water from a depth of 25'
- Easily serviced through a back pull-out design, which leaves all the plumbing and both the pump's base and case undisturbed in their original location
- Rugged cast iron case ensures optimum durability, quiet operation, and long life
- Modified PPO hydraulic components and floating stainless steel impeller eye-seal ensures dependable and efficient operation
- Optional 304 stainless steel impeller available for maximum durability
- 1- and 3-phase motors available with dual voltage on smaller horsepower models; three-phase inverter duty rated
- Phenolic/Ceramic mechanical shaft seal with nitrile elastomers and 18-8SS hardware ensures positive sealing and longevity
- Integral 1" NPT priming plug and built-in drain plug for easy winterizing and servicing
- Shut-off pressures to 130 feet, flow rates to 70 gpm, and water temperatures to 120 °F



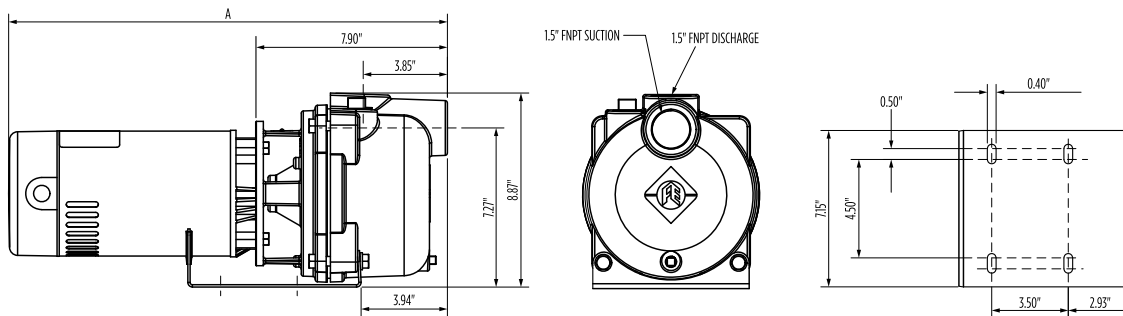
ORDERING INFORMATION

Complete Pump							
Suc. x Dis. (FNPT)	Phase	Voltage	S.F.A.	HP	Model	Order No.	Wt. (lbs)
1-1/2" x 1-1/2"	1	115/230	16.2/8.1	1	FTB1CI	92980010	50
		115/230	21.4/10.7	1-1/2	FTB15CI	92980015	57
		230	12.9	2	FTB2CI	92980020	58
	1	115/230	16.2/8.1	1	FTB1CI-SSI*	92981010	52
		115/230	21.4/10.7	1-1/2	FTB15CI-SSI*	92981015	59
		230	12.9	2	FTB2CI-SSI*	92981020	60
	3	208-230/460	4.0/2.0	1	FTB1CI-SSI-T*	92983010	51
		208-230/460	6.8/3.4	1-1/2	FTB15CI-SSI-T*	92983015	55
		208-230/460	8.6/4.3	2	FTB2CI-SSI-T*	92983020	57

*Stainless steel impeller

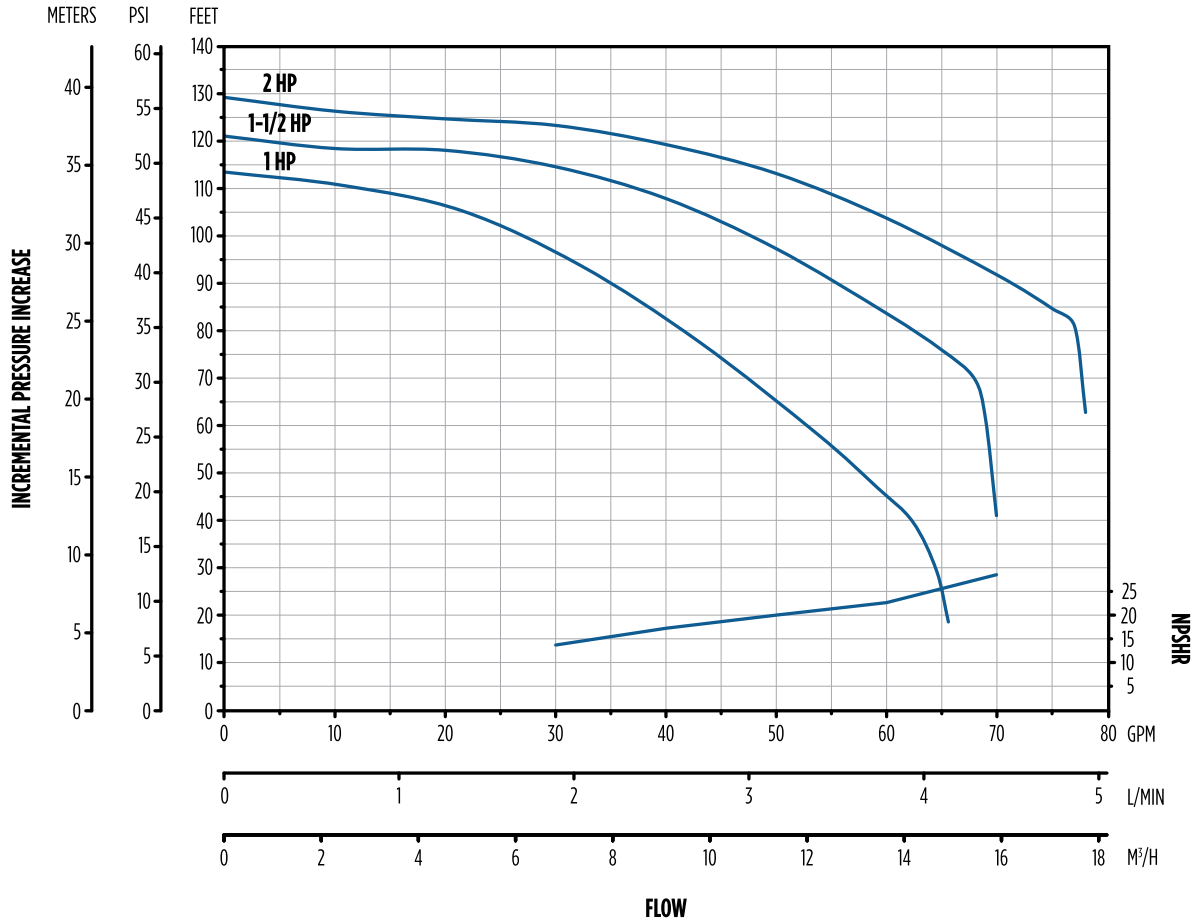
DIMENSIONS

Model	HP	A (1-Phase)	A (3-Phase)
FTB1CI	1	20.00"	23.40"
FTB15CI	1-1/2	21.60"	25.00"
FTB2CI	2	21.60"	25.00"



SELF-PRIMING IRRIGATION PUMPS - TURF BOSS

PERFORMANCE: 1-2 HP



Model	HP	Total Suction Lift (ft)	Discharge Pressure (PSI)							Shut-off Pressure (PSI)
			20	25	30	35	40	45	50	
			Gallons Per Minute (GPM)							
FTB1CI	1	5	53.0	47.0	42.0	36.0	27.0	13.0	-	46
		10	49.0	45.0	38.0	32.0	23.0	-	-	44
		15	45.0	43.0	37.0	28.0	17.0	-	-	42
		20	38.0	37.0	33.0	24.0	-	-	-	40
		25	28.0	27.0	27.0	18.0	-	-	-	38
FTB15CI	1-1/2	5	65.0	64.0	63.0	58.0	48.0	37.0	-	50
		10	58.0	58.0	57.0	55.0	45.0	26.0	-	48
		15	50.0	49.0	48.0	48.0	40.0	-	-	46
		20	41.0	40.0	39.0	38.0	32.0	-	-	44
		25	29.0	28.0	28.0	27.0	17.0	-	-	42
FTB2CI	2	5	70.0	69.0	69.0	68.0	65.0	53.0	35.0	52
		10	61.0	60.0	60.0	59.0	58.0	47.0	-	50
		15	52.0	51.0	50.0	49.0	48.0	37.0	-	49
		20	41.0	40.0	39.0	38.0	35.0	-	-	47
		25	29.0	28.0	27.0	25.0	22.0	-	-	45

SELF-PRIMING IRRIGATION PUMPS - TURF BOSS, 3-5 HP

FEATURES

- Volute: Built-in suction check valve facilitates priming and prevents back flow or siphoning
- Impeller: Cast iron; combines efficient operation with durable construction to allow for use in a broad range of pumping applications
- Seal: Standard carbon/ceramic faces; FKM elastomers; 300 series stainless steel components
- Diffuser: Cast iron is utilized in all models to improve pump efficiency
- Motor: Standard JM frame ODP & TEFC options



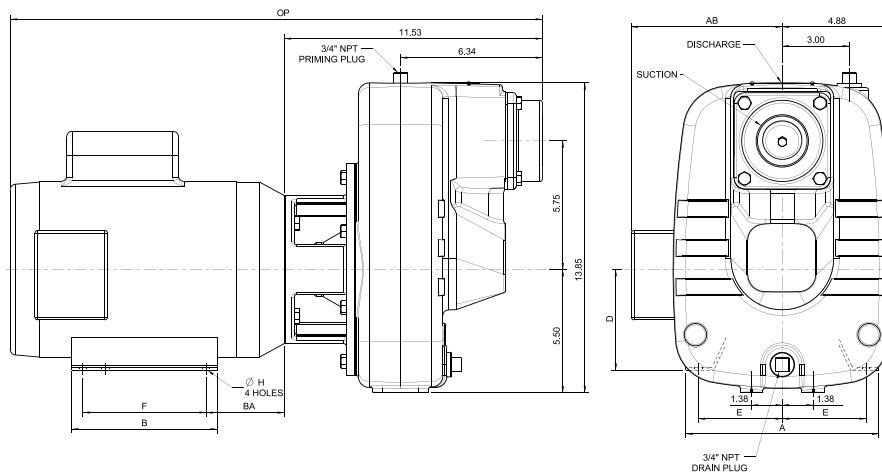
ORDERING INFORMATION

Model	ECNL	HP	Pump Size (Suc. x Dis.)	Phase	Volts	S.F.A	Pump Unit	
							Order No.	Wt. (lbs)
FTB3CI	ODP	3	2" x 2"	1	115/230	33.4/16.7	92980030	120
FTB3CI-E	TEFC	3	2" x 2"	1	115/230	33.4/16.7	92980130	123
FTB3CI-T	ODP	3	2" x 2"	3	230/460	8.4/4.2	92980035	93
FTB3CI-TE	TEFC	3	2" x 2"	3	230/460	8.2/4.1	92980135	94
FTB3CI-T5E	TEFC	3	2" x 2"	3	575	3.3	92980136	94
FTB5CI	ODP	5	2-1/2" x 2"	1	230	25.3	92980050	135
FTB5CI-E	TEFC	5	2-1/2" x 2"	1	230	19	92980150	140
FTB5CI-T	ODP	5	2-1/2" x 2"	3	230/460	13.8/6.9	92980055	111
FTB5CI-TE	TEFC	5	2-1/2" x 2"	3	230/460	13.4/6.7	92980155	128
FTB5CI-T5E	TEFC	5	2-1/2" x 2"	3	575	5.4	92980156	121

DIMENSIONS

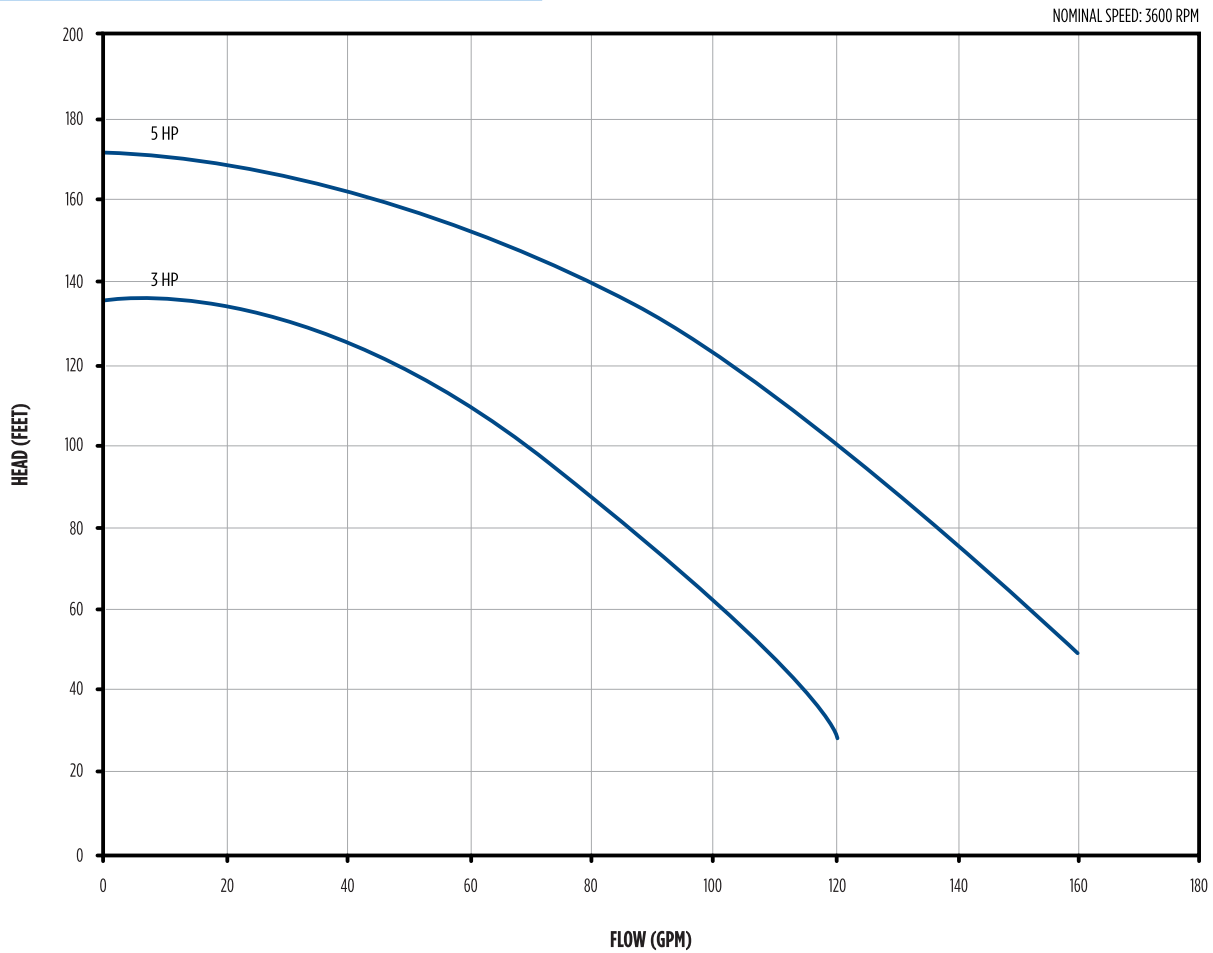
Model	Enclosure	Pump Size (Suc. x Dis)	Dimensions (in.)								
			A	B	D	E	F	H	AB	BA	OP
FTB3CI	ODP	2" X 2"	8.63	6.50	4.50	3.75	5.50	0.41	6.75	3.50	23.78
FTB3CI-E	TEFC	2" X 2"	8.63	6.50	4.50	3.75	5.50	0.44	6.87	3.50	29.59
FTB3CI-T	ODP	2" X 2"	6.50	5.94	3.50	2.75	5.00	0.34	5.62	2.88	22.41
FTB3CI-TE	TEFC	2" X 2"	6.50	5.94	3.50	2.75	5.00	0.38	5.74	2.88	23.57
FTB3CI-T5E	TEFC	2" X 2"	6.50	5.94	3.50	2.75	5.00	0.38	5.74	2.88	23.57
FTB5CI	ODP	2 1/2" X 2"	8.63	6.50	4.50	3.75	5.50	0.41	6.75	3.51	23.78
FTB5CI-E	TEFC	2 1/2" X 2"	8.63	6.50	4.50	3.75	5.50	0.45	6.87	3.50	26.83
FTB5CI-T	ODP	2 1/2" X 2"	8.63	6.50	4.50	3.75	5.50	0.41	6.74	3.50	23.78
FTB5CI-TE	TEFC	2 1/2" X 2"	8.63	6.50	4.50	3.75	5.50	0.41	6.87	3.50	25.34
FTB5CI-T5E	TEFC	2 1/2" X 2"	8.63	6.50	4.50	3.75	5.50	0.41	6.87	3.50	25.34

NOTE: Dimensions are for estimating purposes only



SELF-PRIMING IRRIGATION PUMPS - TURF BOSS

PERFORMANCE: 3-5 HP



Model	HP	Total Suction Lift (ft)	Discharge Pressure (PSI)									Shut-off Pressure (PSI)
			25	30	35	40	45	50	55	60	65	
			Gallons Per Minute (GPM)									
FTB3CI	3	5	99	90	81	70	60	47	-	-	-	56
		10	95	86	77	66	54	-	-	-	54	
		15	91	82	73	62	49	-	-	-	51	
		20	87	78	68	56	42	-	-	-	49	
		25	84	74	63	51	-	-	-	-	47	
FTB5CI	5	5	149	141	131	122	112	102	89	74	55	71
		10	146	137	127	118	108	97	82	65	-	69
		15	142	132	124	114	104	92	76	57	-	67
		20	138	129	119	109	98	84	68	-	-	65
		25	134	125	116	105	92	78	60	-	-	63

SELF-PRIMING EFFLUENT PUMPS - FBSE SERIES

FEATURES

- Cast iron volute with tapped openings for priming, venting, and draining
- Semi-open cast iron impeller that is blind-hold tapped so liquid will not corrode the shaft; Ideal for handling fertilizer, salt water, dirty water, and other liquids
- Mechanical seal with carbon/ceramic faces, FKM elastomers, and 300-series stainless steel components
- Industry-standard square flange design motor 1/2 - 2HP models
- 3HP units utilize 56J shaft motors
- Capacities to 50 gpm; Heads to 92 feet
- 75 psi maximum working pressure; 120 °F maximum temperature
- Clockwise rotation when viewed from motor end



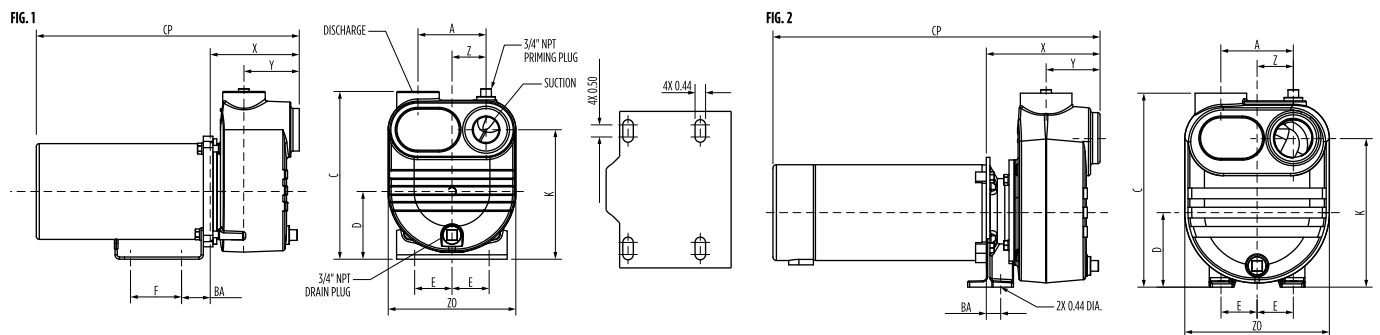
ORDERING INFORMATION

Complete Pump						
Model	HP	PH	Volts	Dis. x Suc. (NPT)	Order No.	Wt. (lbs)
FBSE-50-S	1/2	1	115/230	1-1/4" x 1-1/4"	92931005	41
FBSE-75-S	3/4	1	115/230	1-1/4" x 1-1/4"	92931007	42
FBSE-100-S	1	1	115/230	1-1/4" x 1-1/4"	92931010	46
FBSE-150-S	1-1/2	1	115/230	2" x 2"	92931015	52
FBSE-200-S	2	1	230	2" x 2"	92931020	60
FBSE-300-S	3	1	230	2" x 2"	92931030	70
FBSE-300-T	3	3	208-230/460	2" x 2"	92933030	60

DIMENSIONS

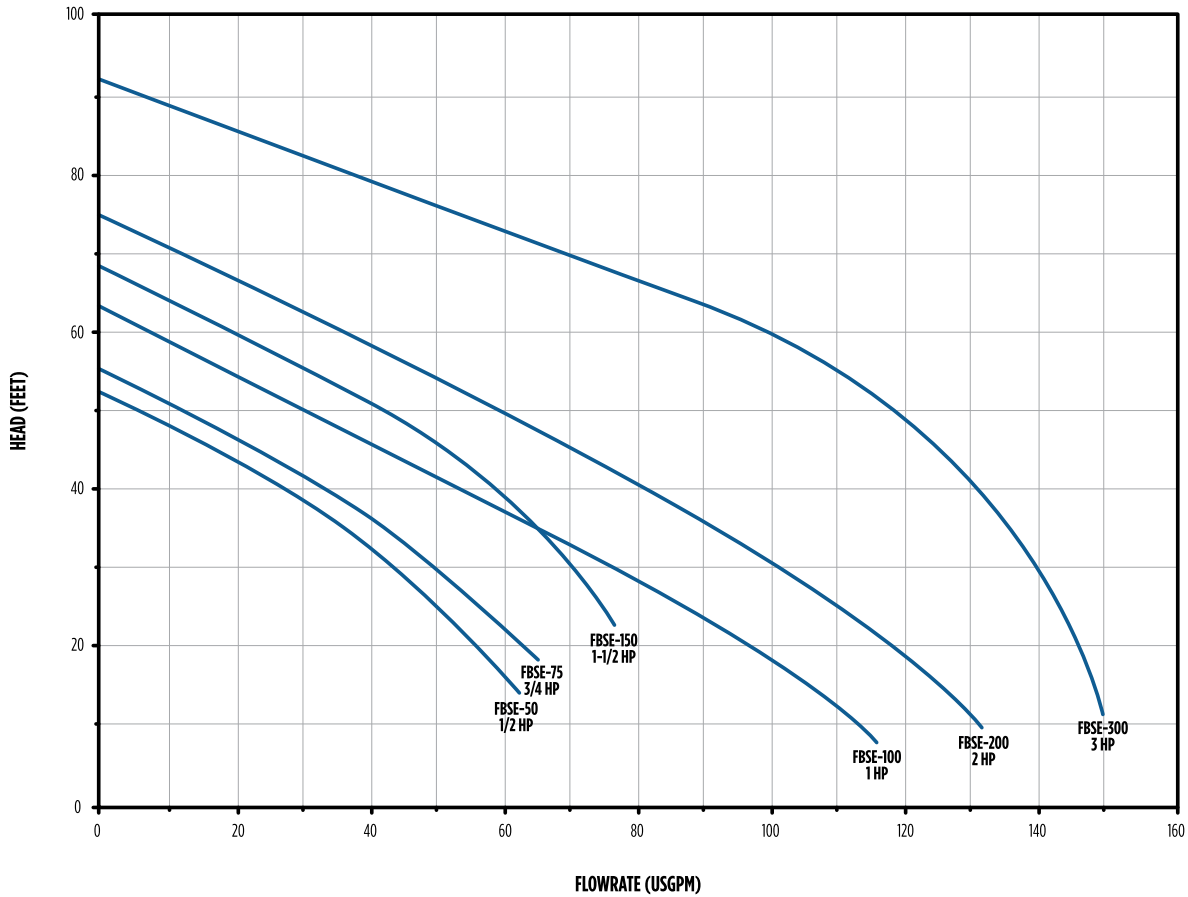
Model	HP	Fig.	Dis. x Suc. (NPT)	CP	A	BA	C	D	E	F	K	X	Y	Z	ZO
FBSE-50-S	1/2	1	1-1/4" x 1-1/4"	15.46"	4.00"	1.69"	9.86"	3.98"	2.20"	3.00"	7.61"	5.23"	3.25"	2.00"	7.50"
FBSE-75-S	3/4	1	1-1/4" x 1-1/4"	15.96"	4.00"	1.69"	9.86"	3.98"	2.20"	3.00"	7.61"	5.23"	3.25"	2.00"	7.50"
FBSE-100-S	1	1	1-1/4" x 1-1/4"	16.96"	4.00"	1.69"	9.86"	3.98"	2.20"	3.00"	7.61"	5.23"	3.25"	2.00"	7.50"
FBSE-150-S	1-1/2	1	2" x 2"	17.91"	4.26"	1.69"	11.00"	3.98"	2.20"	3.00"	8.36"	5.44"	3.17"	2.13"	8.50"
FBSE-200-S	2	1	2" x 2"	19.16"	4.26"	1.69"	11.00"	3.98"	2.20"	3.00"	8.36"	5.44"	3.17"	2.13"	8.50"
FBSE-300-S	3	2	2" x 2"	19.23"	4.26"	0.85"	11.44"	4.38"	2.13"	N/A	8.37"	6.69"	3.17"	2.13"	8.50"
FBSE-300-T	3	2	2" x 2"	20.43"	4.26"	0.85"	11.44"	4.38"	2.13"	N/A	8.37"	6.69"	3.17"	2.13"	8.50"

NOTE: Dimensions are for estimating purposes only



SELF-PRIMING EFFLUENT PUMPS - FBSE SERIES

PERFORMANCE



Model	HP	Shut-off Head (ft)	Discharge Pressure (PSI)						
			10	20	30	40	50	60	70
			Gallons Per Minute (GPM)						
FBSE-50	1/2	52	-	56.0	44.0	27.0	6.0	-	-
FBSE-75	3/4	55	-	63.0	49.0	34.0	12.0	-	-
FBSE-100	1	64	113.0	97.0	76.0	54.0	30.0	8.0	-
FBSE-150	1-1/2	68	-	-	70.0	58.0	42.0	19.0	-
FBSE-200	2	75	131.0	118.0	101.0	82.0	59.0	36.0	12.0
FBSE-300	3	92	-	145.0	139.0	132.0	119.0	100.0	69.0