

CAST IRON CENTRIFUGAL PUMPS - FCE SERIES

FEATURES

- Cast iron volute and seal plate
- Volute can be rotated in 90degree increments for ease of installation
- Modified PPO impeller with stainless steel hub for optimum efficiency and performance
- Phenolic/Ceramic mechanical shaft seal with nitrile elastomers and 18-8SS components
- Powered by high quality, industry proven, UL778 approved, indoor/outdoor square-flange motors; 2-compartment design for ease of service
- Back pull-out design; access to pump parts without disturbing the plumbing
- Phenolic/Ceramic mechanical shaft seal with nitrile elastomers and 18-8SS components
- Can be mounted in a vertical or horizontal position.
- Maximum fluid temperature of 160 °F/71 °C; maximum working pressure 75 psi



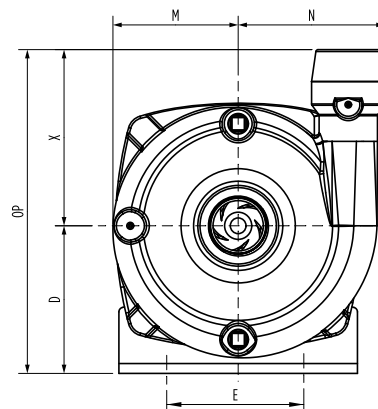
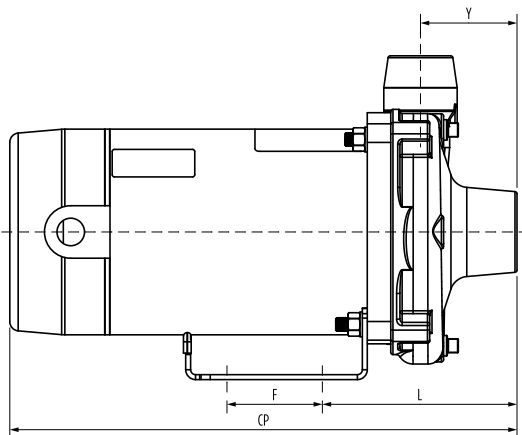
ORDERING INFORMATION

HP	Dis. x Suc. (FNPT)	Single-Phase					Three-Phase				
		Model	Voltage	S.F.A.	Order No.	Wt. (lbs)	Model No.	Voltage	S.F.A.	Order No.	Wt. (lbs)
1/2	1" x 1-1/4"	FCE05CI	115/230	12.4/6.2	90200005	31	FCE05CI-T	208-230/460	3/1.5	90203005	29
3/4	1" x 1-1/4"	FCE07CI	115/230	14.8/7.4	90200007	32	FCE07CI-T		3.6/1.8	90203007	31
1	1" x 1-1/4"	FCE1CI	115/230	19.2/9.6	90200010	37	FCE1CI-T		4.7/2.35	90203010	34
1-1/2	1" x 1-1/4"	FCE15CI	115/230	24.0/12.0	90200015	42	FCE15CI-T		6.8/3.4	90203015	39
2	1-1/2" x 1-1/4"	FCE2CI	230	11.2	90200020	46	FCE2CI-T		8.5/4.25	90203020	42

DIMENSIONS

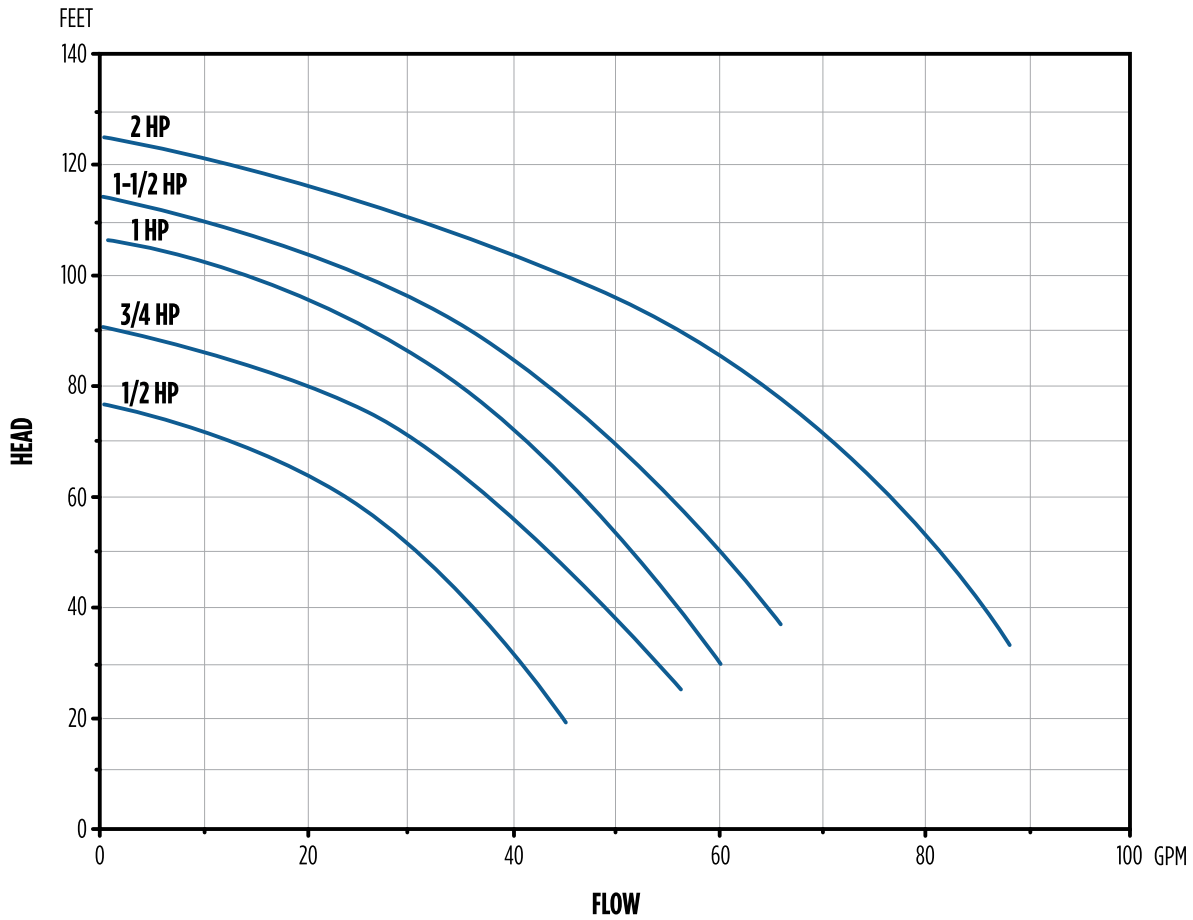
Model	HP	CP	D	E	F	L	M	N	OP	X	Y
FCE05CI FCE05CI-T	1/2	13.75	4.00	4.88	3.00	5.53	3.69	4.00	8.90	4.90	2.63
FCE07CI FCE07CI-T	3/4	14.07	4.00	4.88	3.00	5.53	3.69	4.00	8.90	4.90	2.63
FCE1CI FCE1CI-T	1	15.57	4.00	4.88	3.00	5.53	3.69	4.00	8.90	4.90	2.63
FCE15CI FCE15CI-T	1-1/2	15.90	4.00	4.88	3.00	5.53	3.69	4.00	8.90	4.90	2.63
FCE2CI FCE2CI-T	2	15.82	4.46	4.88	3.00	5.88	4.12	4.72	10.78	6.31	2.88

NOTE: Dimensions are for estimating purposes only



CAST IRON CENTRIFUGAL PUMPS - FCE SERIES

PERFORMANCE



Model	HP	Total Head (ft)						Shut-off Head (ft)
		30	40	50	70	90	110	
FCE05CI / FCE05CI-T	1/2	42	35	31	12	-	-	76
FCE07CI / FCE07CI-T	3/4	54	48	43	31	2	-	90
FCE1CI / FCE1CI-T	1	60	56	52	42	26	-	106
FCE15CI / FCE15CI-T	1-1/2	-	65	60	49	35	10	113
FCE2CI / FCE2CI-T	2	-	86	82	71	56	31	124