

## STAINLESS STEEL CENTRIFUGAL PUMPS - DDS SERIES

### FEATURES

- 304 stainless steel volute and seal plate
- Volute can be rotated in 90 degree increments for ease of installation
- Mechanical shaft seal; FKM elastomers for added chemical resistance
- Enclosed thermoplastic impeller design for increased efficiency
- Mechanical seal with carbon/ceramic faces, FKM elastomer, and stainless steel components
- Back pull-out design; provides access to pump parts without disturbing the plumbing
- Maximum fluid temperature of 140 °F/60 °C ; maximum working pressure of 150 psi
- Powered by high quality, industry proven, UL778 approved, indoor/outdoor square-flange motors; 2-compartment design for ease of service

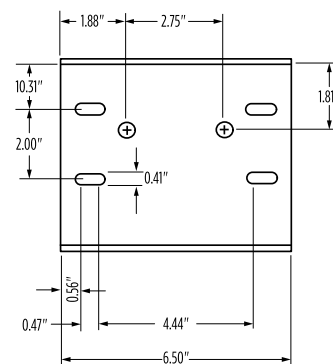
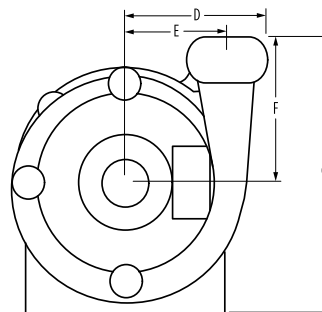
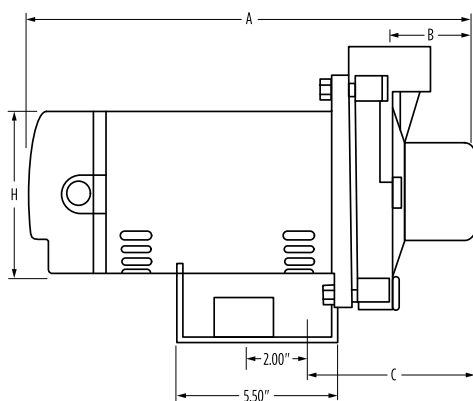


### ORDERING INFORMATION

HP	Dis. x Suc. (FNPT)	Single-Phase (115/230 V)				Three-Phase (208-230/460 V)			
		Model	Order No.	S.F.A.	Wt. (lbs)	Model	Order No.	S.F.A.	Wt. (lbs)
1/2	1" x 1-1/4"	5FPDDSI-S	93178056	12/6	25	5FPDDSI-T	93178098	2.9-2.6/1.3	25
3/4		7FPDDSI-S	93178064	14.2/7.1	29	7FPDDSI-T	93178106	4.1-3.8/1.9	29
1		1FPDDSI-S	93178072	14.8/7.4	31	1FPDDSI-T	93178114	4.8-4.6/2.3	31
1-1/2		15FPDDSI-S	93178080	16.4/8.2	36	15FPDDSI-T	93178122	6.4-6.2/3.1	36

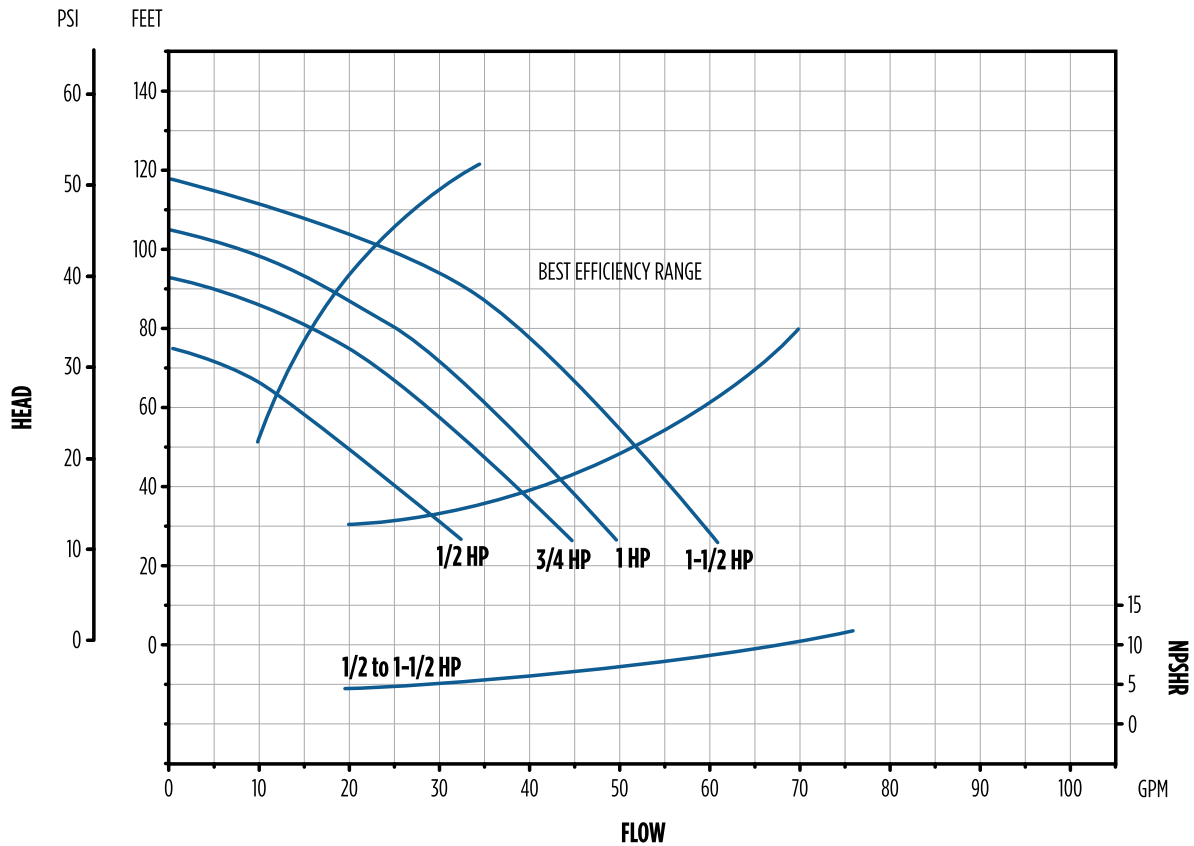
### DIMENSIONS

Model	HP	A	B	C	D	E	F	G	H
5FPDDSI-S	1/2	14.69"	2.38"	5.31"	4.44"	3.50"	4.63"	8.75"	5.50"
5FPDDSI-T									
7FPDDSI-S	3/4								
7FPDDSI-T									
1FPDDSI-S	1								
1FPDDSI-T									
15FPDDSI-S	1-1/2								
15FPDDSI-T									



# STAINLESS STEEL CENTRIFUGAL PUMPS - DDS SERIES

## PERFORMANCE



Model	HP	Total Head (ft)											Shut-off Head (ft)	
		30	35	40	45	50	60	70	80	90	100	110		
		Capacities (GPM)												
5FPDDSI-S	1/2	30.0	27.0	25.0	22.0	19.0	14.0	-	-	-	-	-	-	74
5FPDDSI-T														
7FPDDSI-S	3/4	-	41.0	38.0	36.0	34.0	29.0	23.0	16.0	-	-	-	93	
7FPDDSI-T														
1FPDDSI-S	1	-	-	-	42.0	40.0	36.0	31.0	25.0	18.0	-	-	105	
1FPDDSI-T														
15FPDDSI-S	1-1/2	-	-	-	-	52.0	47.0	44.0	39.0	34.0	25.0	-	118	
15FPDDSI-T														