

JET PUMPS - CONVERTIBLE VERSAJET

FEATURES

- Heavy-duty cast iron pump case includes (3) 1" discharge/pressure ports for optimum installation flexibility, plus a 1/4" NPT port for pressure gauge mounting
- Each rating is available with one of (5) factory mounted suction flanges to enable the pump to replace a deep well pump unit installed in the field without altering the existing suction and pressure pipe connections; includes vacuum port for AVC connection
- Adjustable height pump base further enables matching the pump to existing plumbing
- Thermoplastic impeller and diffuser are precision molded for high efficiency and dependability
- Phenolic/Ceramic mechanical shaft seal with nitrile elastomers and 18-8SS hardware ensures positive sealing and longevity
- Adjustable pressure switch is factory set at 30/50 psi
- Water temperatures up to 120 °F/49 °C; 75 psi maximum working pressure
- Powered by high quality, industry proven, UL778 approved, indoor/outdoor square-flange motors



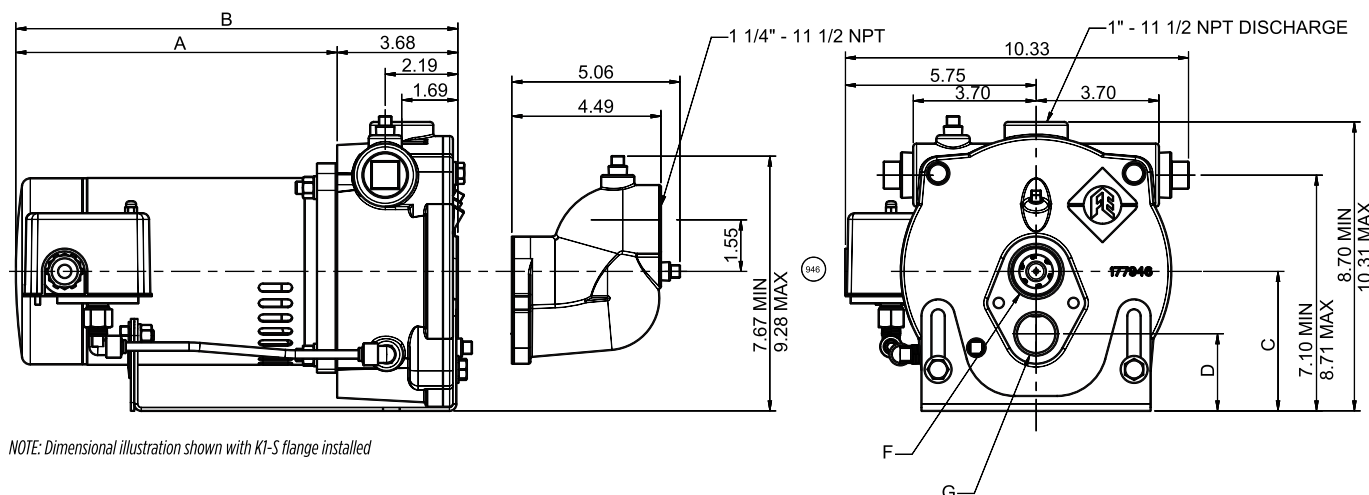
ELECTRICAL INFORMATION

Model	HP	Voltage	S.F.A.
FCVJ05CI	1/2	115/230	9.4/4.7
FCVJ07CI	3/4		12.4/6.2
FCVJ10CI	1		14.8/7.4
FCVJ15CI	1-1/2		19.9/9.95

NOTE: Deep-well installations require a 4" inside well diameter and control valve 96150951

DIMENSIONS

Model	HP	A	B
FCVJ05CI	1/2	9.63"	13.31"
FCVJ07CI	3/4	10.38"	14.06"
FCVJ10CI	1	11.00"	13.68"
FCVJ15CI	1-1/2	11.88"	15.56"



NOTE: Dimensional illustration shown with K1-S flange installed

JET PUMPS - CONVERTIBLE VERSAJET

SHALLOW-WELL PERFORMANCE

CVJ Series				Discharge Pressure (PSI)						Shut-off Pressure (PSI)		
Model	HP	Injector Kit	Total Suction Lift (ft)	30	40	50	60	70	80			
				Gallons Per Minute (GPM)								
FCVJ05CI	1/2	SW1	5	11.5	7.0	3.9	-	-	-	61		
			10	10.2	6.4	3.2	-	-	-	59		
			15	9.1	5.8	2.4	-	-	-	57		
			20	8.0	5.1	1.7	-	-	-	55		
			25	6.5	4.4	0.8	-	-	-	53		
		SW2	5	10.6	6.6	4.6	2.4	-	-	71		
			10	9.3	6.2	4.1	1.9	-	-	69		
			15	8.2	5.7	3.7	1.4	-	-	67		
			20	6.8	5.2	3.1	1.0	-	-	65		
		SW3	25	5.2	4.8	2.6	0.6	-	-	63		
			5	8.0	5.8	4.6	3.2	1.9	0.8	88		
			10	6.9	5.5	4.3	2.9	1.7	0.6	86		
			15	5.9	5.2	4.0	2.7	1.4	-	84		
			20	-	4.7	3.6	2.4	1.2	-	82		
		FCVJ07CI	3/4	SW5	25	-	3.7	3.3	2.1	1.0	-	80
					5	-	-	-	-	-	-	-
10	16.7				14.0	8.2	2.8	-	-	65		
15	-				12.7	6.8	1.6	-	-	63		
20	-				11.3	5.7	-	-	-	61		
SW6	25			-	8.8	4.6	-	-	-	59		
	5			11.8	11.8	8.6	5.3	2.9	0.8	85		
	10			-	10.2	7.8	4.7	2.5	-	83		
	15			-	8.7	7.0	4.2	2.2	-	81		
	20			-	7.1	6.2	3.8	1.7	-	79		
SW7	25			-	-	5.5	3.4	1.2	-	77		
	5			-	8.2	7.9	5.7	3.8	2.4	101		
	10			-	7.1	6.9	5.3	3.6	2.2	99		
	15			-	-	6.1	4.8	3.3	1.9	97		
	20			-	-	5.1	4.4	3.1	1.7	95		
FCVJ10CI	1			SW4	25	-	-	4.1	4.0	2.7	1.4	93
		5	21.4		18.6	11.8	5.2	-	-	68		
		10	18.8		17.1	10.4	3.8	-	-	66		
		15	16.2		15.4	8.9	2.4	-	-	64		
		20	13.4		13.4	7.5	0.8	-	-	61		
		SW5	25	10.5	10.5	6.2	-	-	-	59		
			5	18.7	18.5	13.0	7.7	2.8	-	76		
			10	-	16.4	11.8	6.6	1.6	-	73		
			15	-	14.2	10.7	5.4	-	-	71		
			20	-	11.6	9.5	4.5	-	-	69		
		SW6	25	-	9.0	8.4	3.6	-	-	67		
			5	-	11.7	11.1	7.8	5.2	3.1	98		
			10	-	10.3	10.2	7.2	4.8	2.8	96		
			15	-	-	8.8	6.7	4.4	2.5	94		
			20	-	-	7.3	6.2	4.0	2.1	92		
		FCVJ15CI	1-1/2	SW4	25	-	-	5.7	5.6	3.6	1.7	90
5	-				21.3	20.5	13.5	6.6	-	81		
10	-				18.7	18.3	11.8	5.2	-	78		
15	-				16.0	15.9	10.1	3.8	-	76		
20	-				13.3	13.3	8.6	2.0	-	73		
SW5	25			-	10.5	10.5	-	-	-	71		
	5			-	-	18.3	15.2	9.5	4.4	89		
	10			-	-	16.1	13.8	8.5	3.4	87		
	15			-	-	13.9	12.4	7.4	2.3	85		
	20			-	-	11.4	10.9	6.0	1.1	82		
SW6	25			-	-	8.8	8.8	4.7	-	80		
	5			-	-	11.4	11.3	9.3	6.7	118		
	10			-	-	-	10.1	8.6	6.2	116		
	15			-	-	-	8.7	8.0	5.7	113		
	20			-	-	-	7.2	7.1	5.3	111		
25	-			-	-	-	5.7	4.8	108			

JET PUMPS - CONVERTIBLE VERSAJET

DEEP-WELL PERFORMANCE

CVJ Series				Discharge Pressure (PSI)						Shut-off Pressure (PSI)		
Model	HP	Injector Kit	Total Suction Lift (ft)	30	35	40	45	50	55			
				Gallons Per Minute (GPM)								
FCVJ05CI	1/2	DW2	30	8.0	4.4	1.5	-	-	-	56		
			40	6.3	3.0	-	-	-	51			
			50	4.6	1.6	-	-	-	46			
			60	2.9	-	-	-	-	41			
			70	1.6	-	-	-	-	36			
			70	1.6	-	-	-	-	36			
		DW5	30	6.0	4.5	3.0	2.0	1.2	-	87		
			40	5.3	3.8	2.5	1.6	0.8	-	81		
			50	4.4	3.1	2.0	1.1	-	76			
			60	3.6	2.4	1.5	0.7	-	70			
			70	3.0	1.9	1.0	-	-	64			
			80	2.3	1.3	0.6	-	-	58			
90	1.7	0.8	-	-	-	51						
FCVJ07CI	3/4	DW2	30	11.1	7.2	4.0	1.3	-	65			
			40	9.3	5.7	2.7	-	-	60			
			50	7.4	4.2	1.5	-	-	55			
			60	5.6	2.7	-	-	-	51			
			70	4.1	1.3	-	-	-	45			
			80	2.7	-	-	-	-	40			
			90	1.2	-	-	-	-	35			
			DW1	30	-	6.6	5.0	3.4	2.2	1.3	97	
				40	6.6	6.0	4.2	2.8	1.7	0.9	92	
		50		6.6	5.1	3.5	2.3	1.3	-	86		
		60		5.9	4.1	2.7	1.7	0.8	-	81		
		70		5.0	3.4	2.2	1.2	-	-	76		
		80		4.1	2.7	1.6	0.8	-	-	70		
		90		3.1	2.0	1.1	-	-	-	65		
		90		3.1	2.0	1.1	-	-	-	65		
		90		3.1	2.0	1.1	-	-	-	65		
		FCVJ10CI	1	DW2	30	12.2	9.9	6.3	3.5	0.8	-	74
					40	11.4	8.2	4.9	2.2	-	-	69
50	9.7				6.5	3.5	0.8	-	-	64		
60	7.9				4.8	2.1	-	-	-	59		
70	6.1				3.4	0.8	-	-	-	53		
80	4.3				2.0	-	-	-	-	48		
90	2.5				0.6	-	-	-	-	43		
DW4	30				-	7.9	5.9	4.1	2.7	1.4	94	
	40				7.9	6.9	5.0	3.4	2.1	0.9	88	
	50			7.5	5.8	4.1	2.6	1.4	-	83		
	60			6.6	4.7	3.2	1.9	0.8	-	77		
	70			5.5	3.9	2.5	1.3	-	-	71		
	80			4.4	3.1	1.7	0.6	-	-	66		
	90			3.3	2.3	1.0	-	-	-	60		
	90			3.3	2.3	1.0	-	-	-	60		
	90			3.3	2.3	1.0	-	-	-	60		
FCVJ15CI	1-1/2			DW3	30	-	16.5	9.8	3.5	-	-	67
					40	-	13.0	6.9	1.0	-	-	62
		50	-		9.4	4.1	-	-	-	57		
		60	-		5.9	1.2	-	-	-	52		
		60	-		5.9	1.2	-	-	-	52		
		60	-		5.9	1.2	-	-	-	52		
		DW2	30	-	12.2	10.3	7.0	4.1	1.5	87		
			40	-	11.4	8.6	5.5	2.8	-	82		
			50	-	9.7	6.9	4.0	1.4	-	76		
			60	-	8.2	5.2	2.5	-	-	71		
			70	-	6.6	3.8	1.3	-	-	66		
			80	-	4.9	2.5	-	-	-	60		
			90	-	3.3	1.1	-	-	-	55		
			DW4	30	-	7.9	7.8	6.3	4.8	3.3	111	
				40	-	7.9	7.3	5.4	4.0	2.6	105	
		50		-	7.8	6.3	4.6	3.2	2.0	99		
		60		-	7.0	5.2	3.7	2.4	1.3	93		
		70		-	6.0	4.4	3.0	1.8	0.7	87		
		80		-	5.1	3.6	2.3	1.2	-	82		
		90	-	4.1	2.8	1.6	0.6	-	76			

JET PUMPS - CONVERTIBLE VERSAJET

ORDERING INFORMATION

REPLACEMENT DEEP WELL PUMPS

(Where the existing deep well injector assembly remains in the well, connected to the suction & pressure pipes and only the surface pump and motor are being replaced)

1. Select the replacement pump from the following chart, based upon the pump brand, series and horsepower rating of the unit being replaced. Please consult performance charts to verify new pump will meet design expectations.

Convertible Versajet with Suction Flange Factory Mounted				
Model	HP	Order Number	Suction Flange	Accepts SW Injector
CVJ05CI-S	1/2	96136005	K1-S	Yes
CVJ07CI-S	3/4	96136007		
CVJ10CI-S	1	96136010		
CVJ15CI-S	1-1/2	96136015		
CVJ05CI-G	1/2	96135005	K2-G	No
CVJ07CI-G	3/4	96135007		
CVJ10CI-G	1	96135010		
CVJ15CI-G	1-1/2	96135015		
CVJ05CI-F	1/2	96134005	K3-F	No
CVJ07CI-F	3/4	96134007		
CVJ10CI-F	1	96134010		
CVJ15CI-F	1-1/2	96134015		
CVJ05CI-M	1/2	96133005	K4-M	No
CVJ07CI-M	3/4	96133007		
CVJ10CI-M	1	96133010		
CVJ15CI-M	1-1/2	96133015		
CVJ05CI-J	1/2	96137005	K5-J	No
CVJ07CI-J	3/4	96137007		
CVJ10CI-J	1	96137010		
CVJ15CI-J	1-1/2	96137015		

NEW DEEP WELL PUMP INSTALLATIONS (MINIMUM 4" I.D. WELL REQUIRED)

1. Select the pump from the above chart using the appropriate suction flange after having consulted the performance charts to verify the desired flow and pressure will be achieved from the depth from which well water is to be lifted using the following deep well injector kit.
2. To maintain sufficient back-pressure on the deep well injector, a deep well control valve should be installed on the discharge line. (1" MNPT x 1" FNPT connections)

Deep Well Injector	Order Number
DW1-5	96152000

NOTE: This kit contains all nozzle & venturi combinations, plus instructions of how to choose and install the correct ones for your specific application

Deep Well Control Valve	Order Number
DW-CV	96150951

JET PUMPS - CONVERTIBLE VERSAJET

ORDERING INFORMATION (CONT.)

NEW OR REPLACEMENT SHALLOW WELL PUMP INSTALLATIONS

1. Select the pump with K1-S suction flange the from the following chart, based upon the horsepower rating and performance needed. Note that only the K1-S suction flange will allow the shallow well injector kit to bolt up to it successfully.

Convertible Versajet with Suction Flange Factory Mounted				
Model	HP	Order Number	Suction Flange	Accepts SW Injector
CVJ05CI-S	1/2	96136005	K1-S	Yes
CVJ07CI-S	3/4	96136007		
CVJ10CI-S	1	96136010		
CVJ15CI-S	1-1/2	96136015		

2. Order the following shallow well injector kit to fit the pump selected. This kit contains nozzles and venturi to enable it to fit all shallow well applications described in the performance charts.

Shallow Well Injector	Order Number
SW1-7	96151000

NOTE: This kit contains all nozzle & venturi combinations, plus instructions of how to choose and install the correct ones for your specific application

ALTERNATE SUCTION FLANGE KITS

1. Should an alternate suction flange kit be needed to retrofit a pump to enable it to serve a specific application, the following are available and include all necessary hardware for mounting.

Suction Flange Model	Order Number
K1-S (Sta-Rite)	96150946
K2-G (Goulds)	96150947
K3-F (F&W)	96150948
K4-M (Myers)	96150949
K5-J (Jacuzzi)	96150952