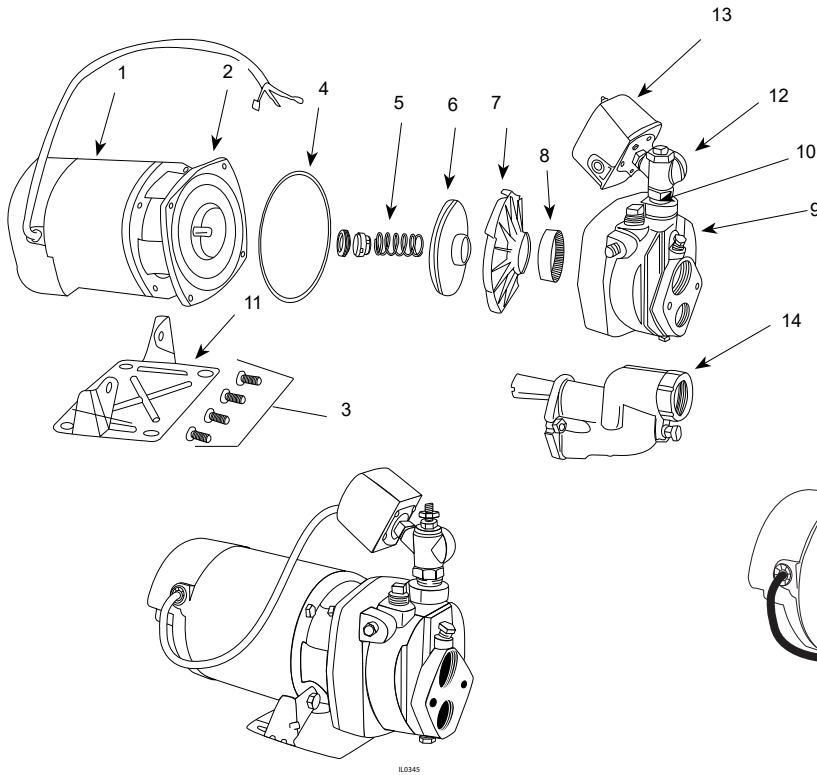
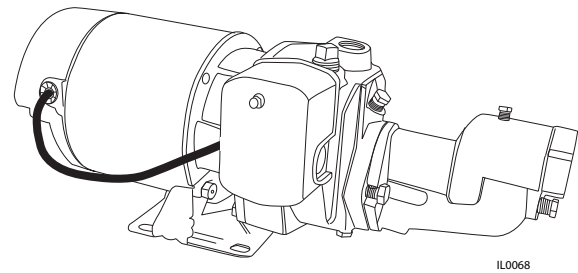


CONVERTIBLE and SHALLOW WELL JET PUMP REPAIR PARTS "CPH" SERIES (For Pricing Refer To Repair Parts Price List)



"CPH" Convertible

SERVICE KIT FOR JET PUMPS	
MODEL NO	SERVICE KIT FOR:
148143	1/3HP, CPJ & CPH Jet Pumps
148141	1/2HP, CPJ & CPH Jet Pumps
148140	3/4HP, CPJ & CPH Jet Pumps
023705	1HP, CPJ & CPH Jet Pumps and VPH10
KIT CONTAINS	
Impeller, Diffuser, Rotary Seal, Square Cut Ring, Diffuser Rubber	



"CPHS" Shallow Well

ITEM	HORSEPOWER		1/3	1/2	3/4	1
	MODEL NO.: "CPH" Convertible "CPHS" Shallow Well		CPH03	CPH05	CPH07	CPH10
	PART NO.			CPH05R	CPH07R	CPH10R
	DESCRIPTION		CPH03S	CPH05S	CPH07S	CPH10S
			QTY.			
1	Motor, Nema J (Thd) Motor Cover w/screws Screws, Cover	021301R 021302	98J103 1	98J105 1	98J107 1	98J110 1
†	Motor Lead Wire	136135A	1	1	1	1
2	Mounting Ring		135314	135314	136137	136137
3	Hex Hd. Cap Screws 3/8 x 3/4"	*	4	4	4	4
4	Ring, Square Cut		132583	132583	132429	132429
5	Seal, Rotary w/Spring	131100	1	1	1	1
6	Impeller		139348††	139349††	134137	134138
7	Diffuser		132424	132424	132425□	132425□
8	Rubber, Diffuser	132428	1	1	1	1
9	Pump Body		134311	134311	134312	134312
10	Plug, Priming	*	1/2" NPT	1/2" NPT	1/2" NPT	1/2" NPT
11	Base	128034	1	1	1	1
12	Control Assembly "CPH" Convertible	134349	1	1	1	1
	Control Body	135019	1	1	1	1
	Flow Control Screw	124330	1	1	1	1
13	Pressure Switch "CPH" Convertible			132527	132527	132527
13	Pressure Switch "CPHS" Shallow Well	132527	1	1	1	1
14	Shallow Well Ejector Package-"CPHS"		SW03E-1626	SW05E-1630	SW07E-1432	SW10E-1334
†	Ejector Gasket Pkg w/Bolts	132404	1	1	1	1
†	Ejector Gasket	130969	1	1	1	1

(*) Standard hardware item
(†) Not shown
(††) Impeller w/ 138138 Seal Ring
(□) Diffuser w/ 134240 Insert