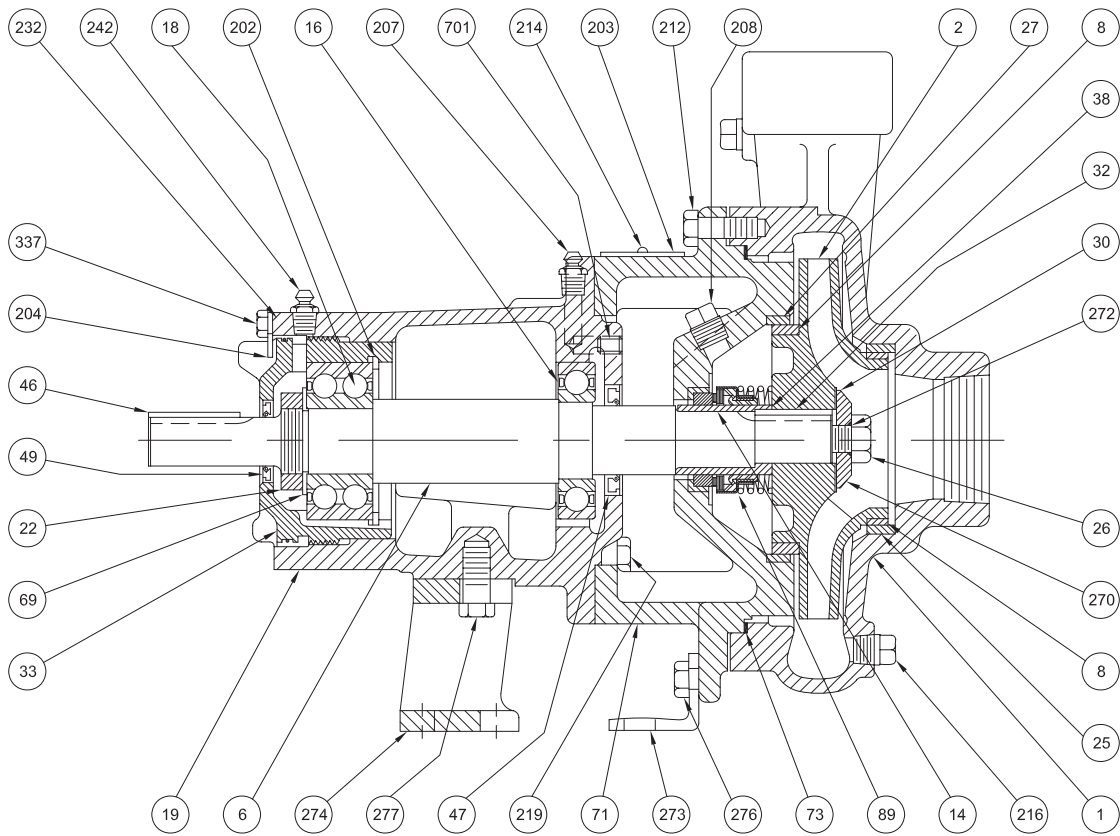


End Suction Pumps



ITEM No.	DESCRIPTION
001	Casing
002	Impeller
006	Shaft
008	Impeller Ring (Optional)
014	Sleeve
*016	Inboard Bearing
*018	Outboard Bearing
019	Frame
022	Bearing Lock Nut
025	Casing Ring
026	Impeller Cap Screw
027	Cover Ring
030	Impeller Washer Gasket
032	Impeller Key
033	Bearing Housing
*038	Sleeve Gasket
046	Coupling Key
047	I.B. Lip Seal
049	O.B. Lip Seal
069	Bearing Lockwasher
071	Adapter

ITEM No.	DESCRIPTION
*073	Casing Gasket
*089	Mechanical Seal
202	Snap Ring
203	Nameplate
204	Bearing Housing Clip
207	Grease Fitting
208	Pipe Plug
212	Cap Screw
214	Drive Screw
216	Pipe Plug
219	Cap Screw
232	O-Ring
242	Grease Fitting
*270	Impeller Washer
272	O-Ring
273	Foot (Adapter)
274	Foot (Frame)
276	Cap Screw
277	Cap Screw
337	Cap Screw
701	Set Screw

* Recommended Spare Parts.