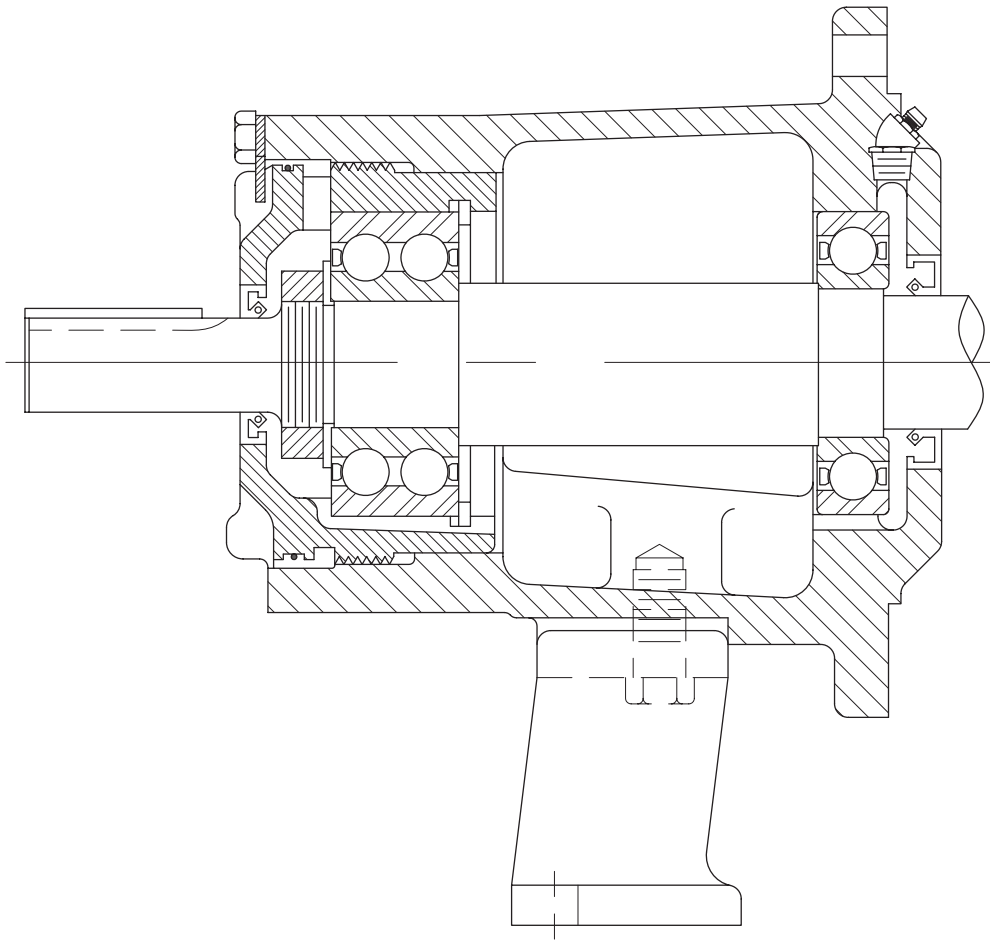


End Suction Pumps



FRAME	Max HP 3550 RPM	Max HP 1750 RPM	Max HP 1150 RPM
1B	36	18	12
2B	100	50	32
3B	125	62	42
4B	200	100	145