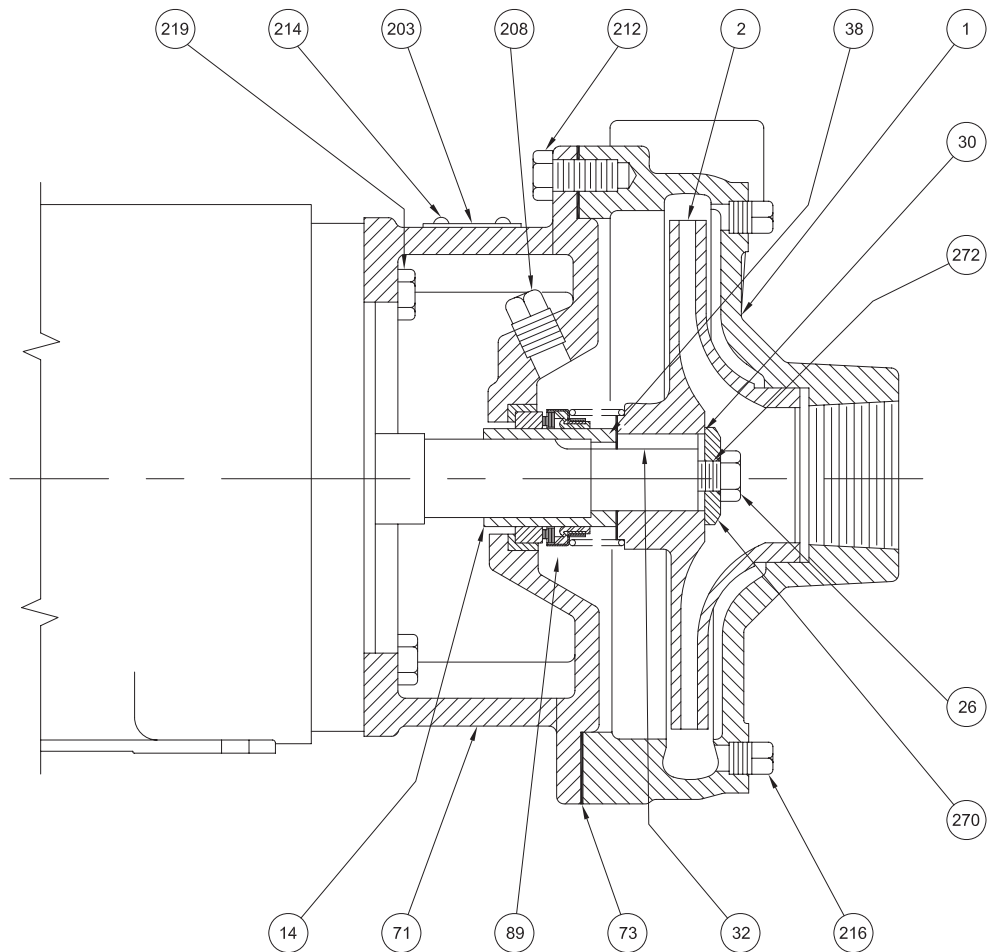


End Suction Pumps



ITEM No.	DESCRIPTION
001	Casing
002	Impeller
014	Shaft Sleeve
*026	Cap Screw
*030	Impeller Gasket
032	Impeller Key
038	Sleeve Gasket
071	Adapter
*073	Casing Gasket

ITEM No.	DESCRIPTION
*089	Mechanical Seal
203	Nameplate
208	Pipe Plug
212	Cap Screw
214	Drive Screw
216	Pipe Plug
219	Cap Screw
*270	Impeller Washer
*272	O-Ring

(+) Furnish ONLY in pairs as complete unit

(*) For Domestic Service we recommend these parts be carried in stock as spares

(±) Double Wearing Rings furnished as special equipment ONLY.