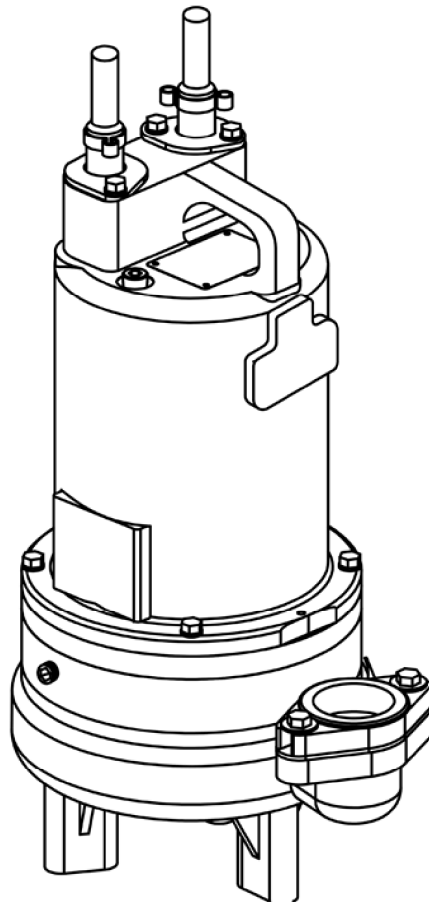


# STEP-SS – 1HP

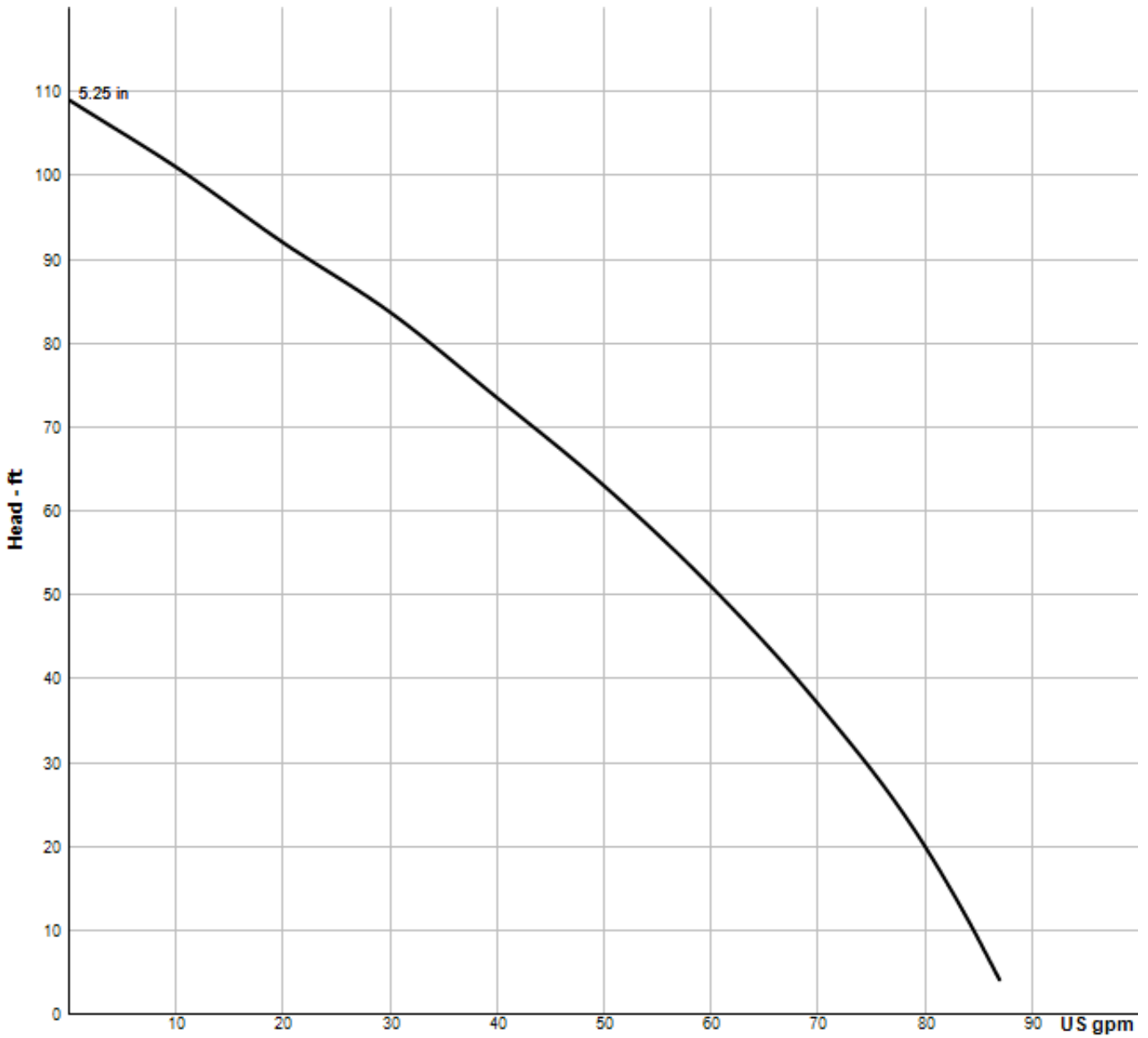
**3/4" Spherical Solids Handling - Single Seal**



## Specifications

<b>SEAL:</b>	<ul style="list-style-type: none"> <li>• <b>Design:</b> Single mechanical</li> <li>• <b>Material:</b> Carbon/ceramic/Buna-N</li> <li>• <b>Hardware:</b> 300 Series stainless</li> </ul>
<b>DISCHARGE:</b>	2" NPT, Female, vertical
<b>LIQUID TEMPERATURE:</b>	104°F (40°C) Continuous
<b>VOLUTE:</b>	Cast iron ASTM A-48, class 30
<b>MOTOR HOUSING:</b>	Cast iron ASTM A-48, class 30
<b>SEAL PLATE:</b>	Cast iron ASTM A-48, class 30
<b>IMPELLER:</b>	<ul style="list-style-type: none"> <li>• <b>Design:</b> Single Vane, Enclosed</li> <li>• <b>Material:</b> Polypropylene with stainless steel insert</li> </ul>
<b>SHAFT:</b>	416 Stainless steel
<b>SQUARE RINGS:</b>	Buna-N
<b>HARDWARE:</b>	300 Series Stainless Steel
<b>PAINT:</b>	Air Dry Enamel
<b>CORD ENTRY:</b>	20 ft. (6.1m) Cord with plug on 120 volt & 240 volt, 1 phase. Quick connect custom
<b>UPPER BEARING:</b>	Single Row, Ball, Oil lubricated
<b>LOWER BEARING:</b>	Single Row, Ball, Oil lubricated
<b>MOTOR:</b>	<ul style="list-style-type: none"> <li>• <b>Design:</b> NEMA L -Single Phase, NEMA B -Three Phase Torque Curve, Oil Filled, Squirrel Cage Induction</li> <li>• <b>Insulation:</b> Class B</li> </ul>
<b>SINGLE PHASE:</b>	Permanent Split Capacitor (PSC)
<b>THREE PHASE:</b>	200-240/480 is Tri-voltage. 600V. Requires overload protection to be included in control panel
<b>LEVEL CONTROL:</b>	"A" - Wide angle, PVC, mechanical, pipe mounted, 20 ft. (6.1m) cord with piggy-back plug

**Curves**



Pump HP	Impeller Dia mm (in.)
1	133 (5.25)
.5	117 (4.62)

Model Information

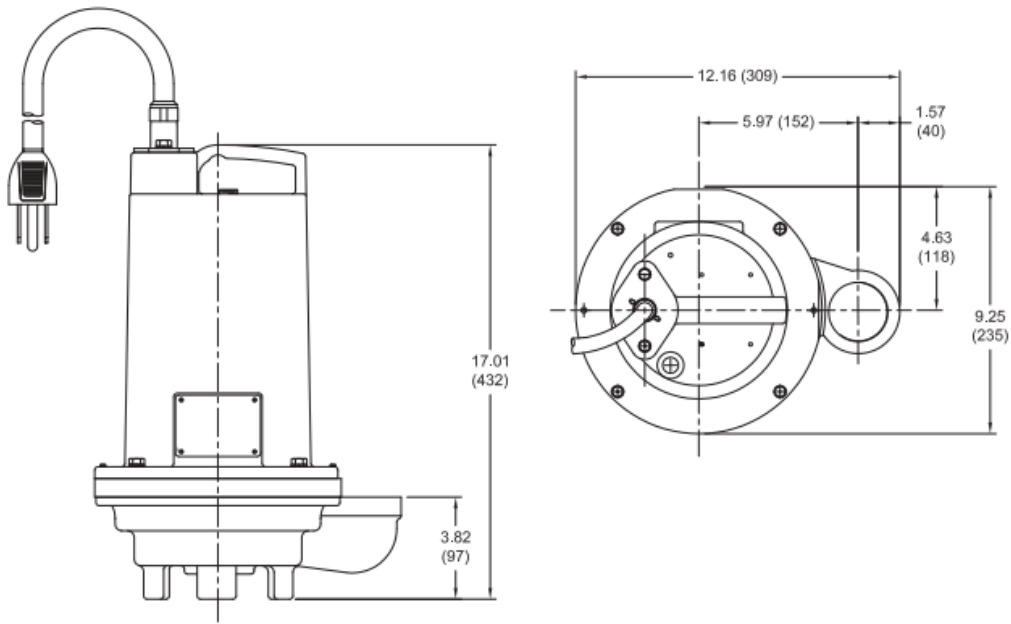
PUMP MODEL NUMBER	STEP1022SS	STEP1092SS	STEP1042SS	STEP1052SS
PART NUMBER	105054	105055	105056	105057
HP	1	1	1	1
VOLTAGE/PHASE	240/1	200/240/3	480/3	600/3
HZ	60	60	60	60
RPM (NOMINAL)	3450	3450	3450	3450
NEMA START CODE	F	H/J	J	L
FLA	8.3	5.9/5.6	2.8	2.2
LRA	21.8	19.9/18.4	9.1	8.7
CORD SIZE	14/3	14/4	14/4	14/4
CORD TYPE	SOW	SOW	SOW	SOW
CORD O.D INCH (MM)	0.530 (13.5)	0.570 (14.5)	0.570 (14.5)	0.570 (14.5)



**IMPORTANT**

- 1.) PUMP MAY BE OPERATED "DRY" FOR EXTENDED PERIODS WITHOUT DAMAGE TO MOTOR AND/OR SEALS.
- 2.) INSTALLATIONS SUCH AS DECORATIVE FOUNTAINS OR WATER FEATURES PROVIDED FOR VISUAL ENJOYMENT MUST BE INSTALLED IN ACCORDANCE WITH THE NATIONAL ELECTRIC CODE ANSI/NFPA 70 AND/OR THE AUTHORITY HAVING JURISDICTION. THIS PUMP IS NOT INTENDED FOR USE IN SWIMMING POOLS, RECREATIONAL WATER PARKS, OR INSTALLATIONS IN WHICH HUMAN CONTACT WITH PUMPED MEDIA IS A COMMON OCCURRENCE.

**Drawings**



All dimensions are in inches (mm)