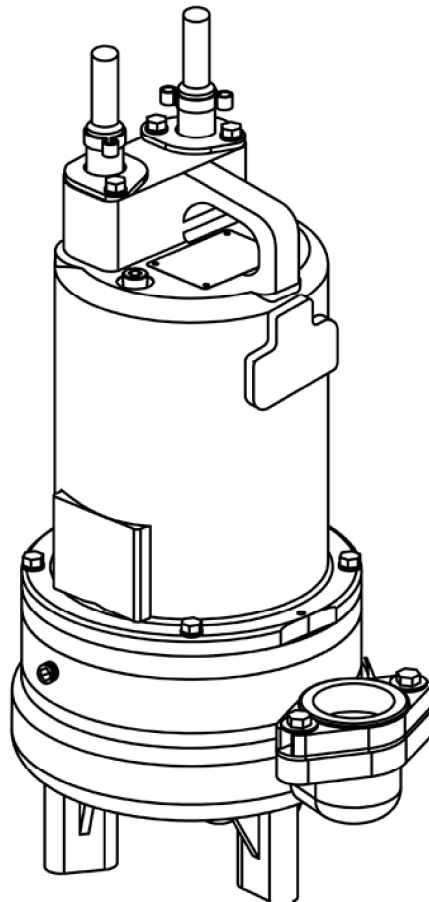


STEP-SS – .5HP

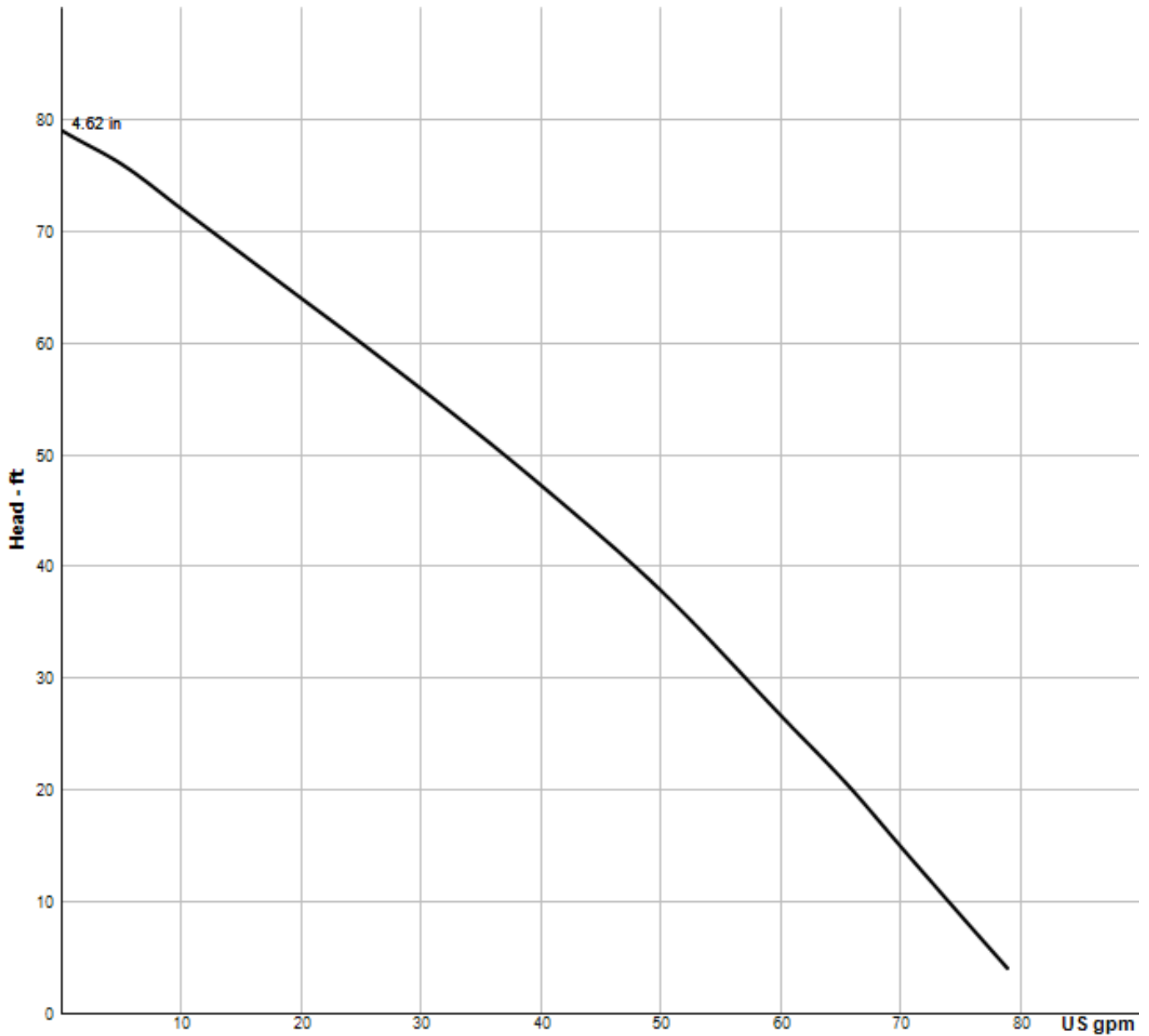
3/4" Spherical Solids Handling - Single Seal



Specifications

SEAL:	<ul style="list-style-type: none"> • Design: Single mechanical • Material: Carbon/ceramic/Buna-N • Hardware: 300 Series stainless
DISCHARGE:	2" NPT, Female, vertical
LIQUID TEMPERATURE:	104°F (40°C) Continuous
VOLUTE:	Cast iron ASTM A-48, class 30
MOTOR HOUSING:	Cast iron ASTM A-48, class 30
SEAL PLATE:	Cast iron ASTM A-48, class 30
IMPELLER:	<ul style="list-style-type: none"> • Design: Single Vane, Enclosed • Material: Polypropylene with stainless steel insert
SHAFT:	416 Stainless steel
SQUARE RINGS:	Buna-N
HARDWARE:	300 Series Stainless Steel
PAINT:	Air Dry Enamel
CORD ENTRY:	20 ft. (6.1m) Cord with plug on 120 volt & 240 volt, 1 phase. Quick connect custom
UPPER BEARING:	Single Row, Ball, Oil lubricated
LOWER BEARING:	Single Row, Ball, Oil lubricated
MOTOR:	<ul style="list-style-type: none"> • Design: NEMA L -Single Phase, NEMA B -Three Phase Torque Curve, Oil Filled, Squirrel Cage Induction • Insulation: Class B
SINGLE PHASE:	Permanent Split Capacitor (PSC)
THREE PHASE:	200-240/480 is Tri-voltage. 600V. Requires overload protection to be included in control panel
LEVEL CONTROL:	"A" - Wide angle, PVC, mechanical, pipe mounted, 20 ft. (6.1m) cord with piggy-back plug

Curves



Pump HP	Impeller Dia mm (in.)
1	133 (5.25)
.5	117 (4.62)

Model Information

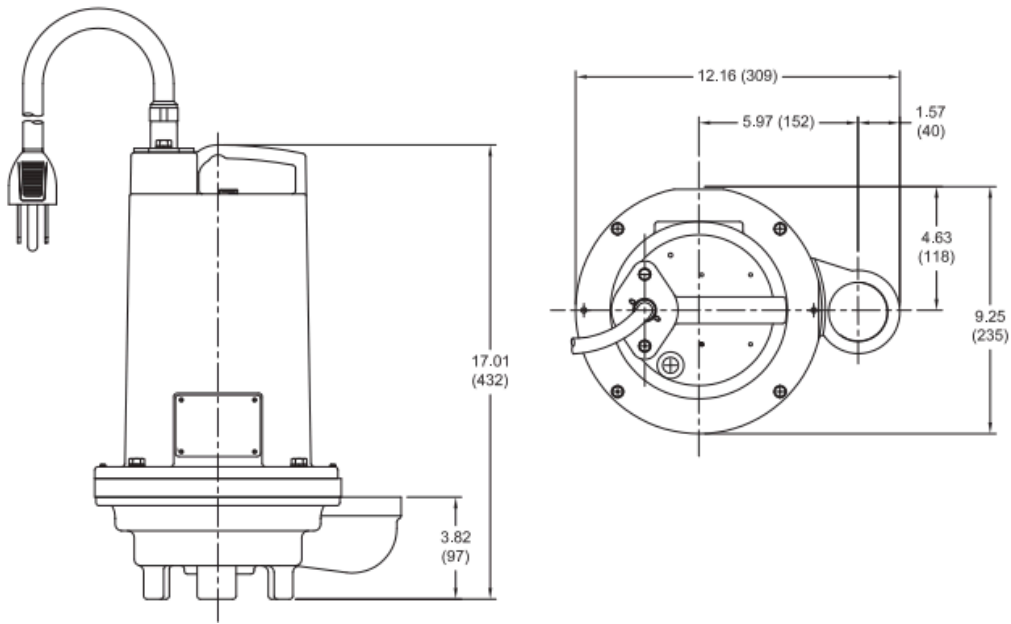
PUMP MODEL NUMBER	STEP512SS	STEP512SSA	STEP522SS	STEP592SS	STEP542SS
PART NUMBER	105045	105045A	105046	105047	105048
HP	0.5	0.5	0.5	0.5	0.5
VOLTAGE/PHASE	120/1	120/1	240/1	200/240/3	480/3
HZ	60	60	60	60	60
RPM (NOMINAL)	3450	3450	3450	3450	3450
NEMA START CODE	G	G	E	P/R	R
FLA	11.9	11.9	5.1	4.5/4.5	2.2
LRA	24.6	24.6	10.2	19.9/18.4	9.1
CORD SIZE	14/3	14/3	14/3	14/4	14/4
CORD TYPE	SJTOW	SJTOW	SOW	SOW	SOW
CORD O.D INCH (MM)	0.375 (9.5)	0.375 (9.5)	0.530 (13.5)	0.570 (14.5)	0.570 (14.5)



IMPORTANT

- 1.) PUMP MAY BE OPERATED "DRY" FOR EXTENDED PERIODS WITHOUT DAMAGE TO MOTOR AND/OR SEALS.
- 2.) INSTALLATIONS SUCH AS DECORATIVE FOUNTAINS OR WATER FEATURES PROVIDED FOR VISUAL ENJOYMENT MUST BE INSTALLED IN ACCORDANCE WITH THE NATIONAL ELECTRIC CODE ANSI/NFPA 70 AND/OR THE AUTHORITY HAVING JURISDICTION. THIS PUMP IS NOT INTENDED FOR USE IN SWIMMING POOLS, RECREATIONAL WATER PARKS, OR INSTALLATIONS IN WHICH HUMAN CONTACT WITH PUMPED MEDIA IS A COMMON OCCURRENCE.

Drawings



All dimensions are in inches (mm)