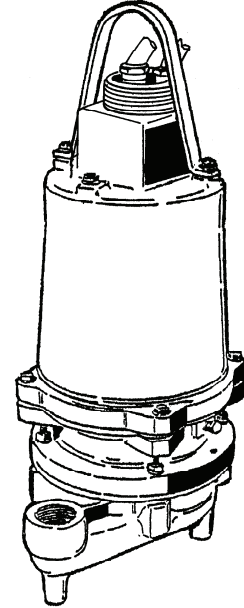


### Submersible Grinder XP

## Specifications:

<b>DISCHARGE</b> .....	1¼" NPT, Vertical
<b>LIQUID TEMPERATURE</b> .....	104°F (40°C) Continuous
<b>VOLUTE</b> .....	Cast Iron ASTM A-48, Class 30.
<b>MOTOR HOUSING</b> .....	Cast Iron ASTM A-48, Class 30.
<b>SEAL PLATE</b> .....	Cast Iron ASTM A-48, Class 30.
<b>IMPELLER: Design</b> .....	10 Vane, Vortex, With Pump Out Vanes On Back Side. Dynamically Balanced,
	ISO G6.3.
	Material .....85-5-5-5 Bronze
<b>SHREDDING RING</b> .....	Hardened 440C Stainless Steel Rockwell® C-55.
<b>CUTTER</b> .....	Hardened 440C Stainless Steel, Rockwell® C-55.
<b>SHAFT</b> .....	416 Stainless Steel
<b>SQUARE RINGS</b> .....	Buna-N
<b>HARDWARE</b> .....	300 Series Stainless Steel
<b>PAINT</b> .....	Air Dry Enamel.
<b>SEAL:</b>	
<i>Design</i> .....	Tandem Mechanical, Oil Filled Reservoir.
<i>Material</i> .....	Rotating Faces - Carbon Stationary Faces - Ceramic Elastomer - Buna-N Hardware -300 Series Stainless
<b>CORD ENTRY</b> .....	30 ft. (9.1 m) Std. Cord. Epoxy Sealed Housing with Secondary Pressure Grommet for Sealing and Strain Relief
<b>UPPER BEARING:</b>	
<i>Design</i> .....	Single Row, Ball, Oil Lubricated
<i>Load</i> .....	Radial
<b>LOWER BEARING:</b>	
<i>Design</i> .....	Single Row, Oil Lubrication
<i>Load</i> .....	Radial & Thrust
<b>MOTOR:</b>	
<i>Design</i> .....	NEMA L-Single Phase, NEMA B-Three Phase Torque Curve. Oil-Filled, Squirrel Cage Induction
<i>Insulation</i> .....	Class B.
<b>SINGLE PHASE:</b>	Capacitor Start/Capacitor Run. Requires overload protection to be included in control panel. Requires Barnes® Starter or Control Panel which Includes Capacitors, or Capacitor pack.
<b>THREE PHASE:</b>	Dual Voltage 230/460; Requires Overload Protection to be Included in control panel.
<b>MOISTURE SENSORS</b> .....	Normally Open (N/O), Requires relay in control panel
<b>TEMPERATURE SENSORS</b> .....	Normally Closed (N/C), Requires relay in control panel
<b>OPTIONAL EQUIPMENT</b> .....	Seal Material, Impeller Trims, Cord Length



## Series: XSGV-L

### 2HP, 3450RPM, 60Hz

Sample Specifications: Section 3 Page 14.

## DESCRIPTION:

THE GRINDER PUMP IS FOR USE IN **HAZARDOUS** LOCATIONS AND IS DESIGNED TO REDUCE DOMESTIC, COMMERCIAL, INSTITUTIONAL AND LIGHT INDUSTRIAL SEWAGE TO A FINELY GROUND SLURRY.



**WARNING:**  
CANCER AND REPRODUCTIVE HARM -  
WWW.P65WARNINGS.CA.GOV



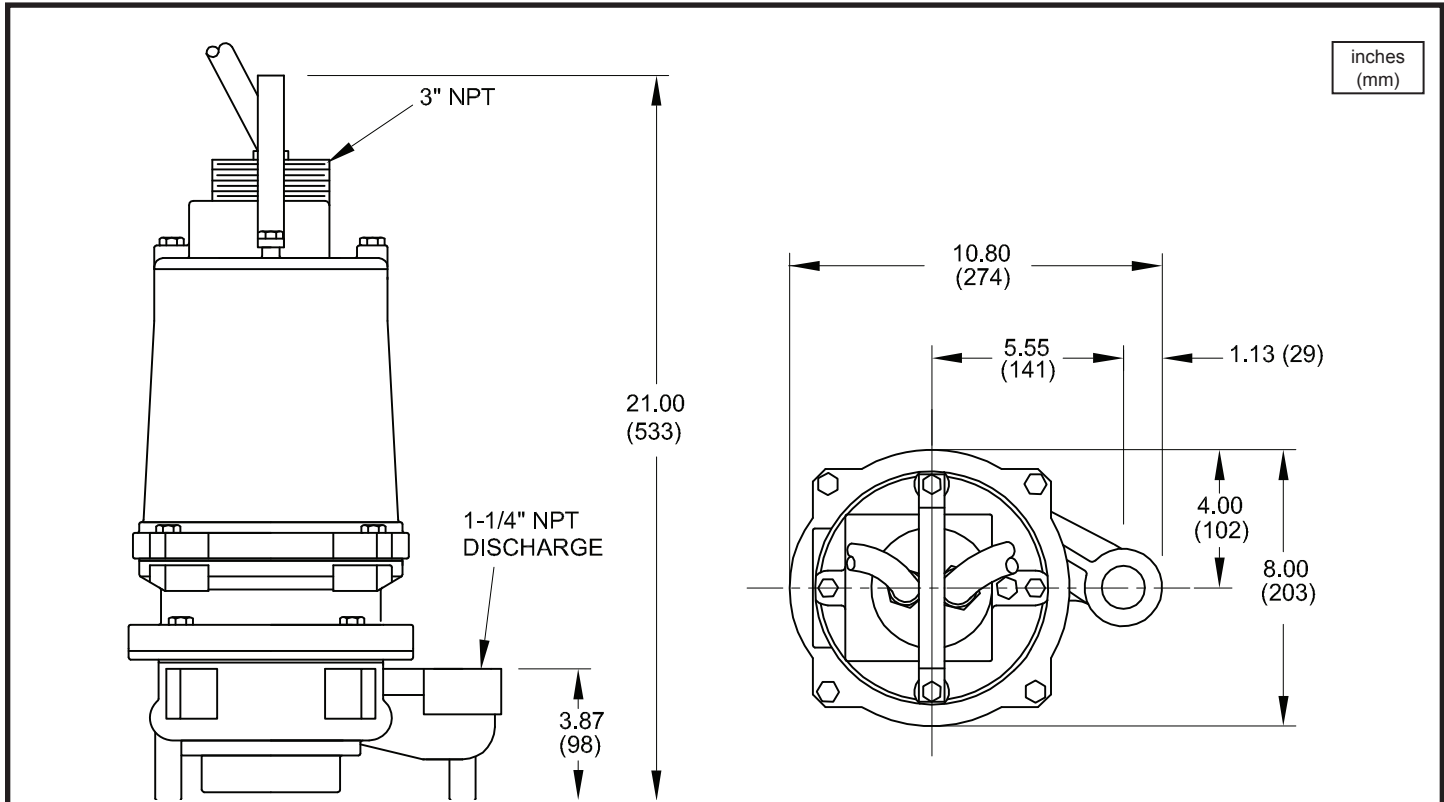
# Series XSGV-L

Class I, Group D, Division 1

# BARNES®

www.cranepumps.com

## Submersible Grinder XP



MODEL NO	PART NO	HP	VOLT/PH	Hz	RPM (Nom)	NEMA START CODE	FULL LOAD AMPS	LOCKED ROTOR AMPS	CORD SIZE	CORD TYPE	CORD O.D inch (mm)
XSGV2022L	127325	2	230/1	60	3450	H	15.0	53.8	10/4	SOW	0.75 (19)
XSGV2062L	127326	2	200/3	60	3450	J	11.0	42.0	10/4	SOW	0.75 (19)
XSGV2032L	127327	2	230/3	60	3450	J	9.0	36.0	10/4	SOW	0.75 (19)
XSGV2042L	127328	2	460/3	60	3450	J	4.5	18.0	10/4	SOW	0.75 (19)
XSGV2052L	127329	2	575/3	60	3450	J	3.2	14.4	10/4	SOW	0.75 (19)

Moisture & Temperature sensor cord for all models is 18/5 SOW, .476 (12mm) O.D.

### IMPORTANT !

- 1.) MOISTURE AND TEMPERATURE SENSORS MUST BE CONNECTED TO VALIDATE THE UL LISTING.
- 2.) A **NON-SPARKING** BREAK AWAY FITTING MUST BE USED TO VALIDATE THE UL LISTING.
- 3.) A SPECIAL MOISTURE SENSOR RELAY IS REQUIRED IN THE CONTROL PANEL FOR PROPER OPERATION OF THE MOISTURE SENSORS. CONTACT BARNES PUMPS FOR INFORMATION CONCERNING MOISTURE SENSING RELAYS FOR CUSTOMER SUPPLIED CONTROL PANELS.
- 4.) THESE PUMPS ARE UL LISTED FOR PUMPING WATER AND WASTEWATER. **DO NOT USE TO PUMP FLAMMABLE LIQUIDS.**
- 5.) INSTALLATIONS SUCH AS DECORATIVE FOUNTAINS OR WATER FEATURES PROVIDED FOR VISUAL ENJOYMENT MUST BE INSTALLED IN ACCORDANCE WITH THE NATIONAL ELECTRIC CODE ANSI/NFPA 70 AND/OR THE AUTHORITY HAVING JURISDICTION. THIS PUMP IS NOT INTENDED FOR USE IN SWIMMING POOLS, RECREATIONAL WATER PARKS, OR INSTALLATIONS IN WHICH HUMAN CONTACT WITH PUMPED MEDIA IS A COMMON OCCURRENCE.

SECTION 3C  
PAGE 2  
DATE 4/17

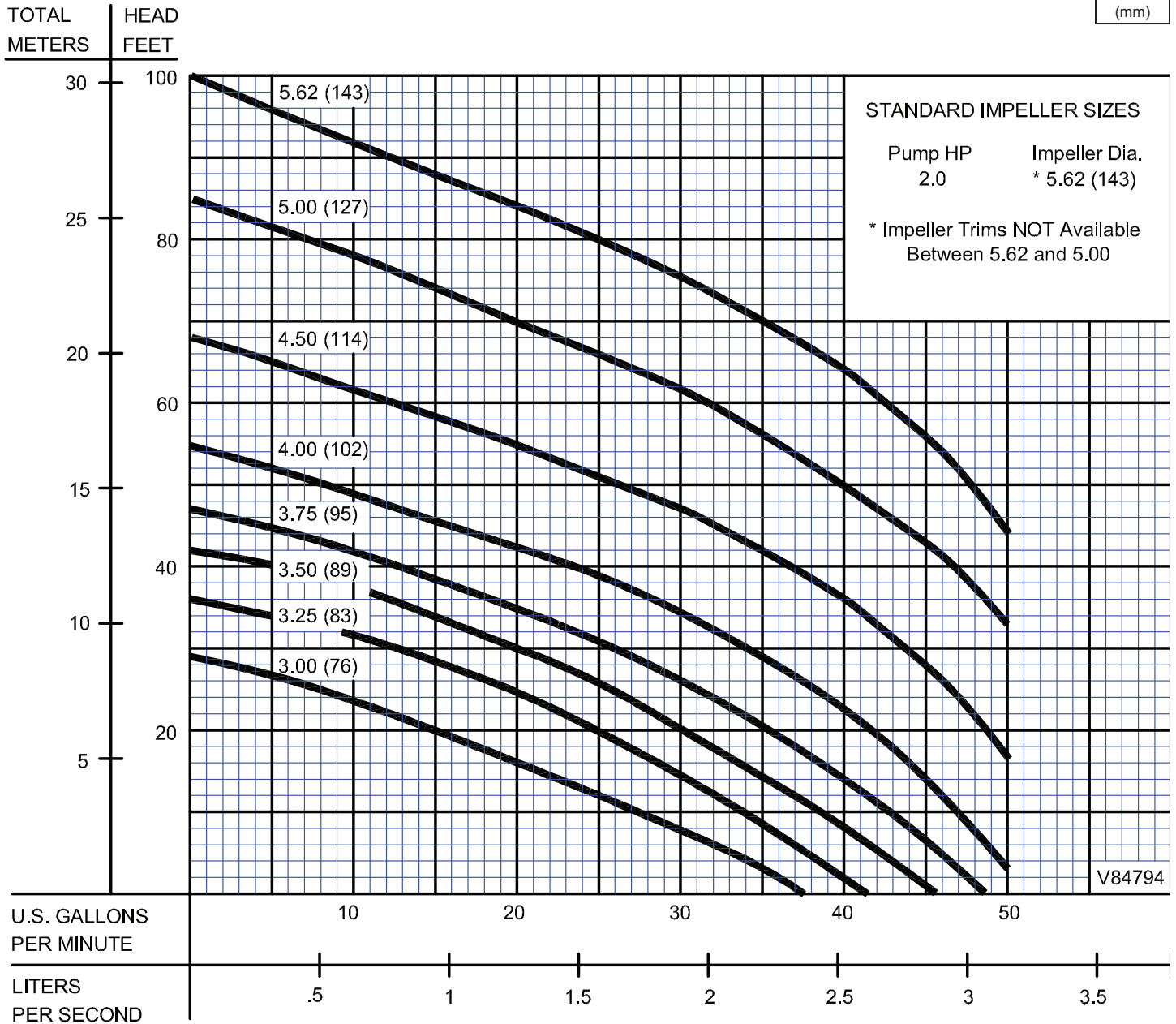
**CRANE**  
®

A Crane Co. Company

PUMPS & SYSTEMS

USA: (937) 778-8947 • Canada: (905) 457-6223 • International: (937) 615-3598

inches  
(mm)



Testing is performed with water, specific gravity 1.0 @ 68° F @ (20°C), other fluids may vary performance