

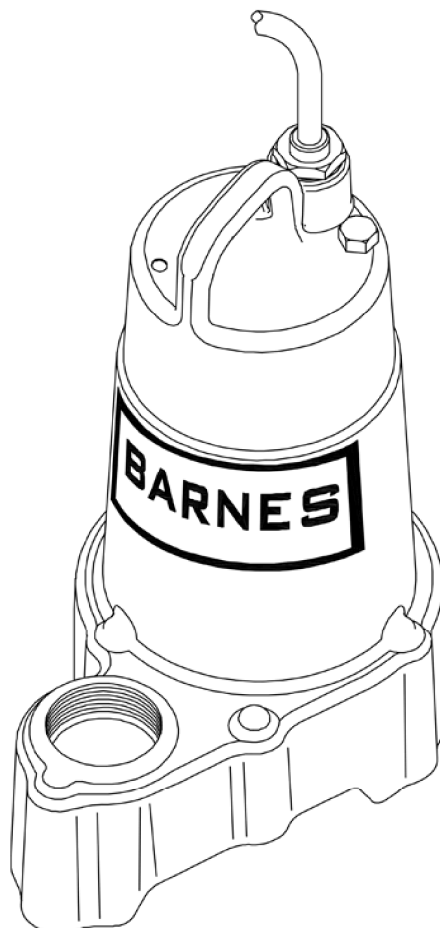
CRANE

PUMPS & SYSTEMS


BARNES

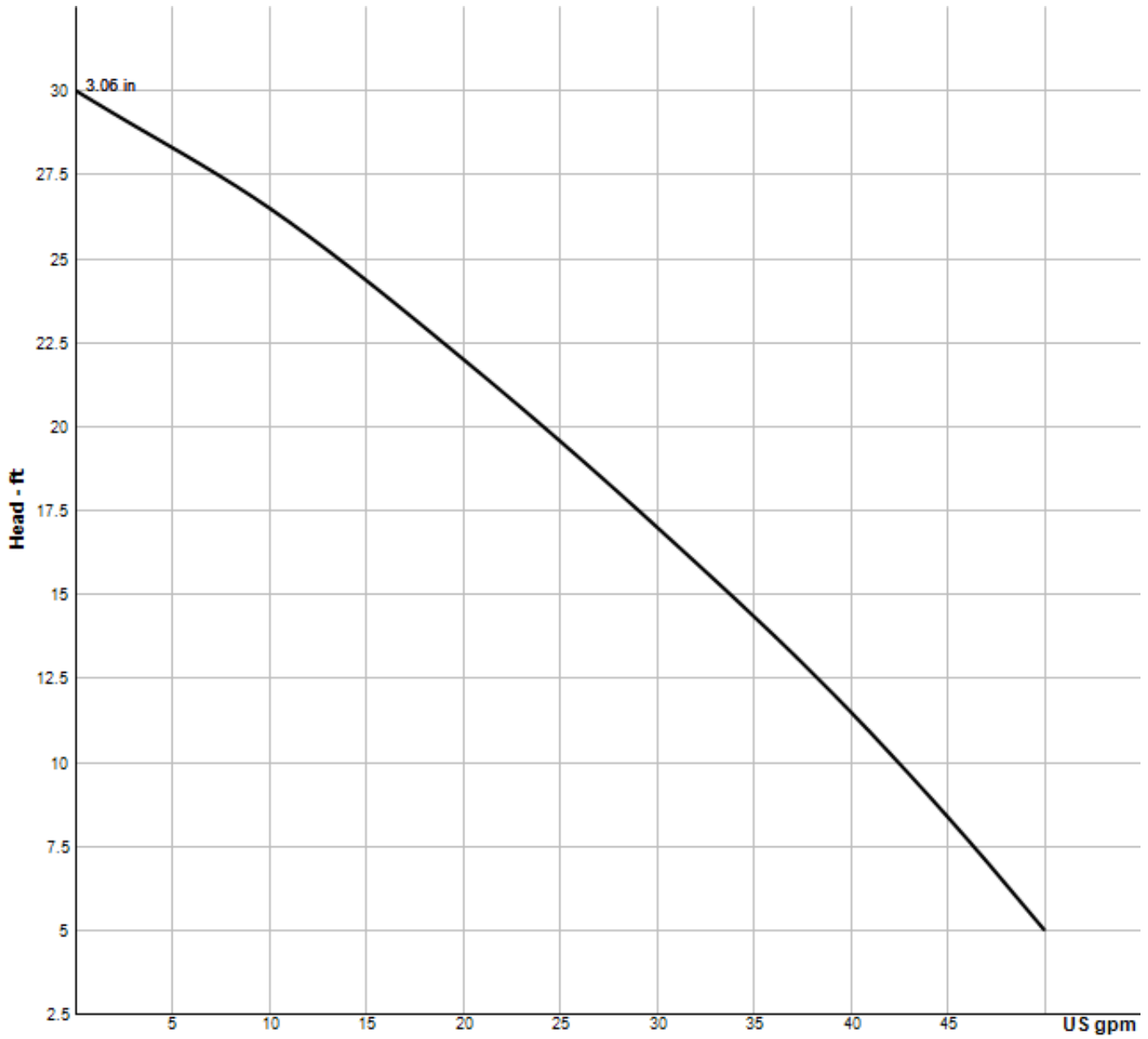
SP33 – 1/3 HP


**1/2" Spherical Solids Handling - Manual & Automatic,
Submersible Sump / Effluent**



DISCHARGE:	1½" NPT, Female, vertical
LIQUID TEMPERATURE:	104°F (40°C) Continuous
MOTOR HOUSING:	Cast iron
STRAINER:	Thermoplastic
IMPELLER:	<ul style="list-style-type: none"> • Design: 10 Vane vortex, with pump out vanes on back side. Balanced, ISO G6.3 • Material: Cast iron
SHAFT:	Stainless steel
O-RINGS:	Buna-N
HARDWARE:	300 Series stainless steel
PAINT:	Air dry enamel
SEAL:	<ul style="list-style-type: none"> • Design: Single mechanical, type 21 • Material: Carbon/Ceramic/Buna-N • Hardware: 300 Series Stainless
UPPER BEARING:	Single row, ball, oil lubricated
LOWER BEARING:	Single row, ball, oil lubricated
CORD ENTRY:	10 ft. (3m) or 20 ft. (6m) Cord with plug and pressure grommet for sealing and strain relief
MOTOR:	<ul style="list-style-type: none"> • Design: Oil filled • Insulation: Class B
SINGLE PHASE:	Permanent Split Capacitor (PSC). Includes thermal overload protection in motor
LEVEL CONTROL:	<ul style="list-style-type: none"> • SP33: None • SP33A: Wide angle, mechanical, 10 ft (3m) cord or 20 ft (6m) cord • SP33VF: Vertical float, PVC, snap action, 10 ft (3m) cord or 20 ft. (6m) cord • SP33D: Diaphragm switch, pressure operated, Snap Action, normally open, 10 Ft. (3m) cord
MINIMUM SUMP DIA:	<ul style="list-style-type: none"> • SP33A: 18" (457mm) • SP33, SP33VF, SP33D: 11" (279mm)

 GFCI Compatible to comply with NEC 210.8 (A)



 Testing is performed with water specific gravity of 1.0 @ 68°F (20°C), other fluids may vary performance

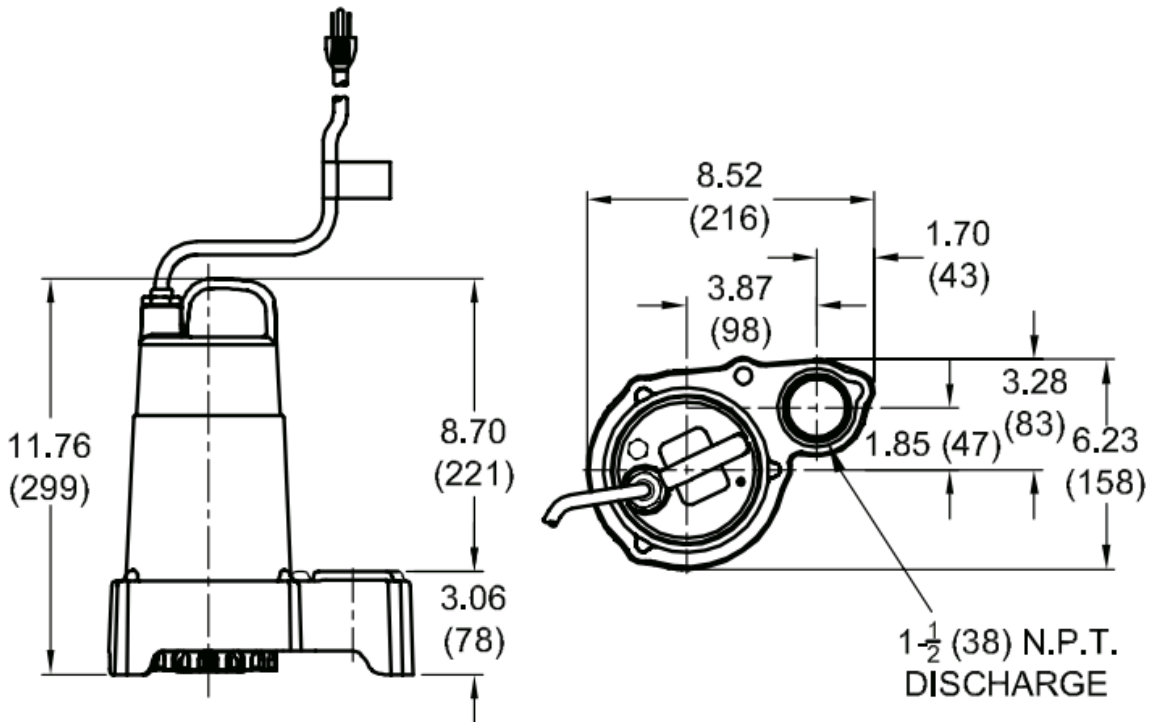
PUMP MODEL NUMBER	SP33	SP33X	SP33A	SP33AX	SP33VF	SP33VFX	SP33D
PART NUMBER	112547	112548	112549	112550	112551	112552	118371
HP	1/3	1/3	1/3	1/3	1/3	1/3	1/3
VOLTAGE/PHASE	120/1	120/1	120/1	120/1	120/1	120/1	120/1
HZ	60	60	60	60	60	60	60
RPM (NOMINAL)	3450	3450	3450	3450	3450	3450	3450
NEMA START CODE	B	B	B	B	B	B	B
FULL LOAD AMPS	5.8	5.8	5.8	5.8	5.8	5.8	5.8
CORD LENGTH	10 FT. (3M)	20 FT. (6M)	10 FT. (3M)	20 FT. (6M)	10 FT. (3M)	20 FT. (6M)	10 FT. (3M)
CORD SIZE	18/3	18/3	18/3	18/3	18/3	18/3	18/3
CORD TYPE	SJTOW / SJTW	SJTOW / SJTW	SJTOW / SJTW	SJTOW / SJTW	SJTOW / SJTW	SJTOW / SJTW	SJTOW / SJTW
WEIGHT (LBS)	30	30	30	30	30	30	30



IMPORTANT

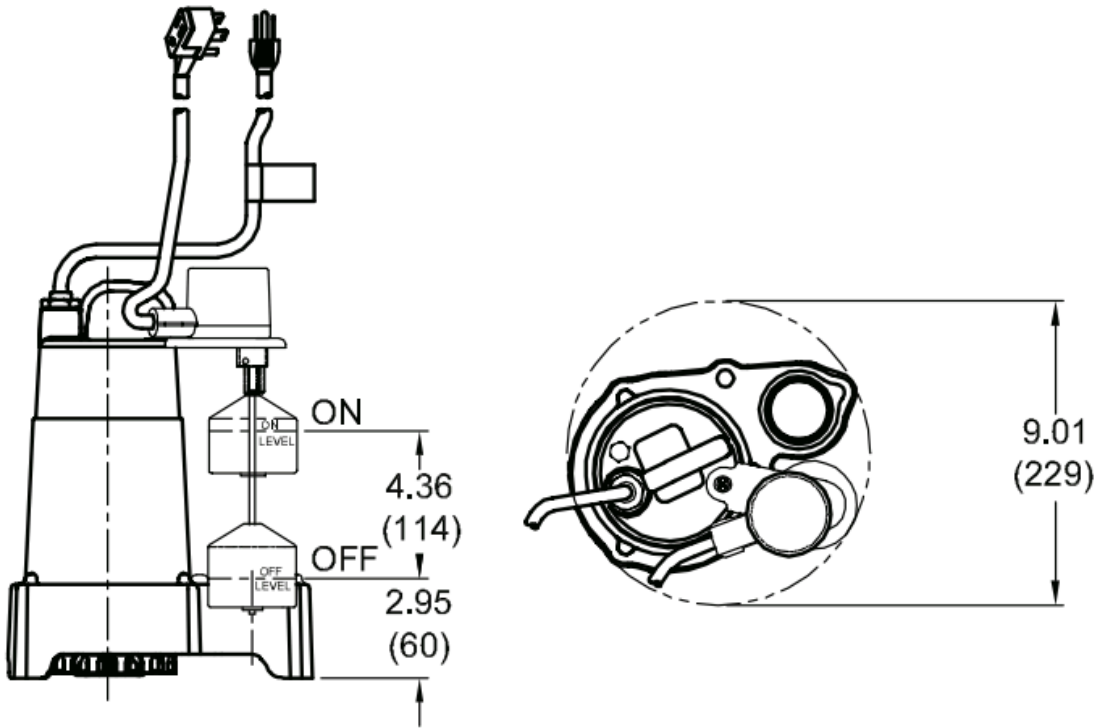
- 1.) PUMP MAY BE OPERATED "DRY" FOR EXTENDED PERIODS WITHOUT DAMAGE TO MOTOR AND/OR SEALS.
- 2.) INSTALLATIONS SUCH AS DECORATIVE FOUNTAINS OR WATER FEATURES PROVIDED FOR VISUAL ENJOYMENT MUST BE INSTALLED IN ACCORDANCE WITH THE NATIONAL ELECTRIC CODE ANSI/NFPA 70 AND/OR THE AUTHORITY HAVING JURISDICTION. THIS PUMP IS NOT INTENDED FOR USE IN SWIMMING POOLS, RECREATIONAL WATER PARKS, OR INSTALLATIONS IN WHICH HUMAN CONTACT WITH PUMPED MEDIA IS A COMMON OCCURRENCE.

SP33



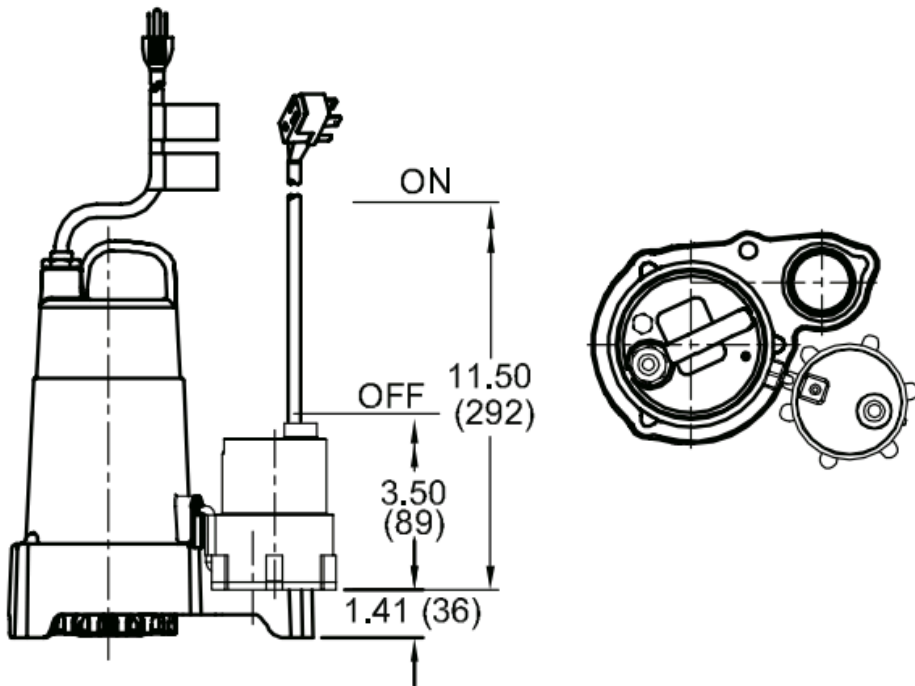
All dimensions are in inches (mm)

SP33VF

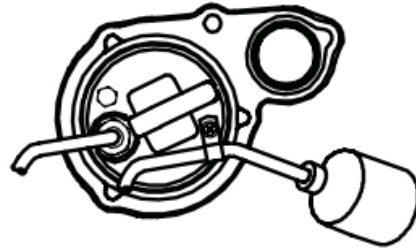
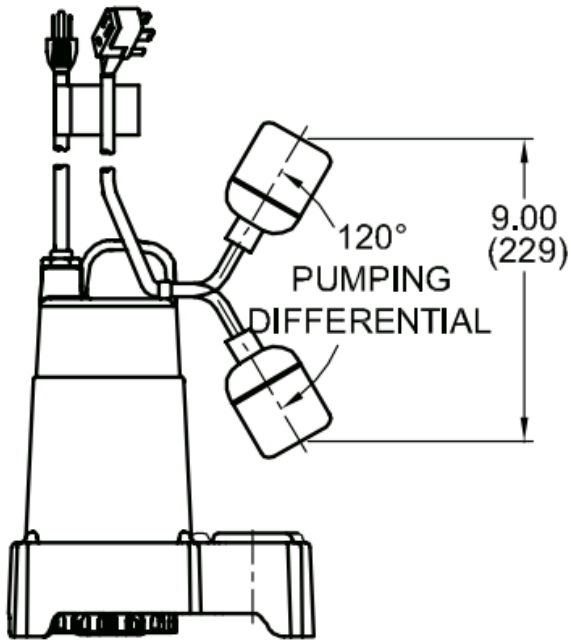


All dimensions are in inches (mm)

SP33D



SP33A



All dimensions are in inches (mm)