

SGVH – 2 HP

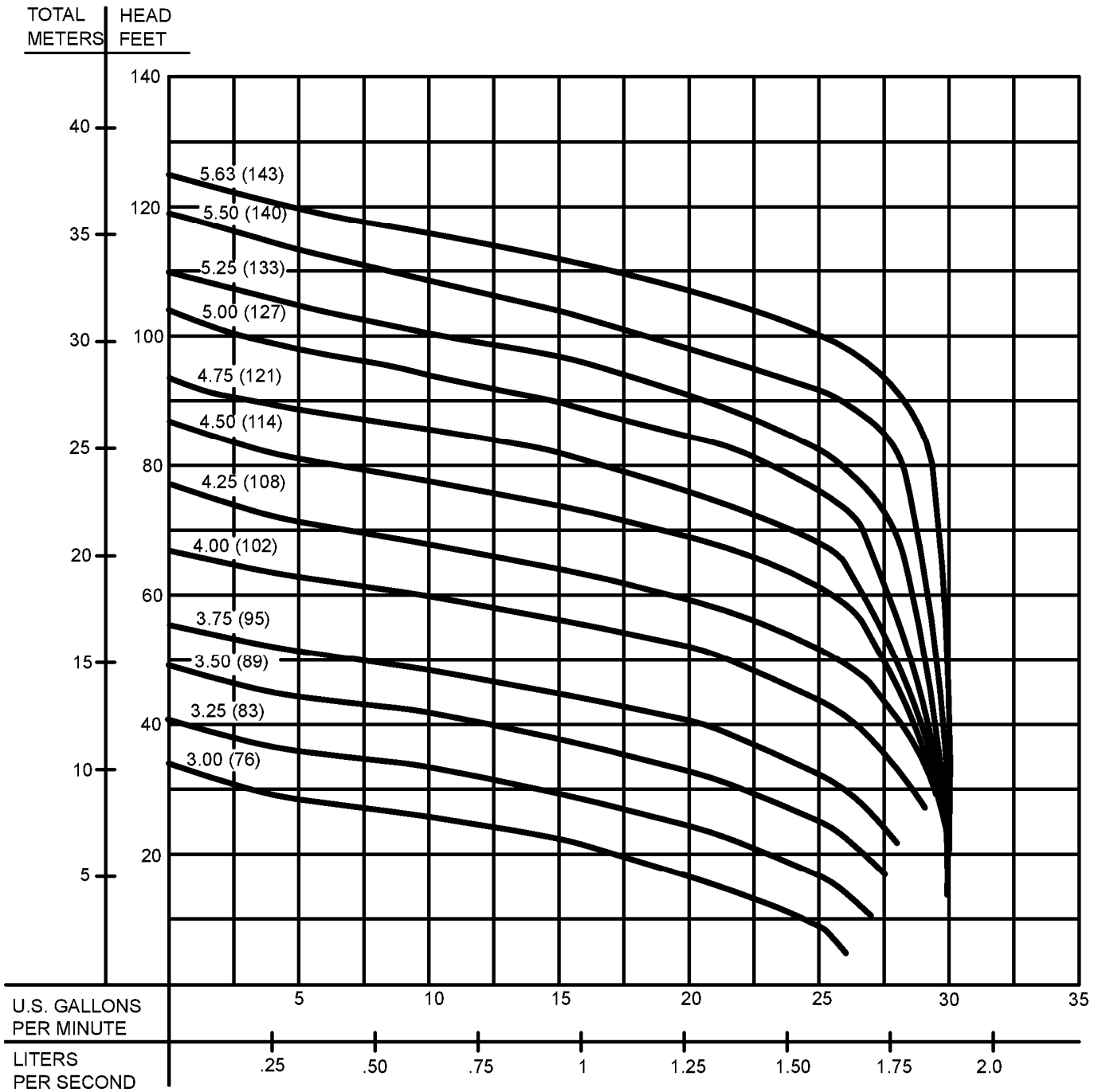
Recessed Vortex



Specifications

| | |
|------------------------------|---|
| DISCHARGE: | 1¼" NPT, Vertical, bolt-on flange |
| LIQUID TEMPERATURE: | 160°F (71°C) Intermittent |
| CORD ENTRY: | 30 ft. (9.1 m) Std. Cord. Custom molded quick connect, for sealing and strain relief |
| CORD: | CSA/UL Approved 12/4 type SOW |
| VOLUTE: | Cast iron ASTM A-48, class 30 |
| MOTOR HOUSING: | Cast iron ASTM A-48, class 30 |
| SEAL PLATE: | Cast iron ASTM A-48, class 30 |
| IMPELLER: | Design: 12 Vane, vortex, with pump out vanes on back side. Dynamically balanced, ISO G6.3 Material: Cast iron |
| SHREDDING RING: | Hardened 440C stainless steel Rockwell® C-55 |
| CUTTER: | Hardened 440C stainless steel, Rockwell® C-55 |
| SHAFT: | 416 Stainless steel |
| SQUARE RINGS: | Buna-N |
| HARDWARE: | 300 Series Stainless Steel |
| PAINT: | Air dry enamel |
| | Design: Tandem mechanical, oil filled reservoir |
| SEAL: | Material: <ul style="list-style-type: none"> • Rotating faces: Carbon • Stationary faces: Ceramic • Elastomer - Buna-N • Hardware: 300 Series stainless steel |
| UPPER BEARING: | Design: Single row, ball, oil lubricated Load: Radial |
| INTERMEDIATE BEARING: | Design: Single row, ball, oil lubricated Load: Radial & thrust |
| LOWER BEARING: | Design: Sleeve, oil lubrication Load: Radial |
| SINGLE PHASE: | Capacitor start/capacitor run. Includes overload protection in the motor. Requires Barnes® Starter or Control Panel which includes capacitors, or capacitor pack |
| THREE PHASE: | Dual voltage 240/480; requires overload protection to be included in the control panel |
| MOTOR: | Design: NEMA L-single phase, (SGVF2022L, SGVH2022L, SGVF2002L or SGVH2002L, includes overload protection in the motor). NEMA B-three phase torque curve. oil-filled, squirrel cage induction Insulation: Class B |

Curves



| Pump HP | Impeller Dia in. (mm) |
|---------|-----------------------|
| 2 | 5.63 (143) |

Model Information

| MODEL NUMBER | SGVF2002L* | SGVF2022L | SGVF2062L | SGVF2032L | SGVF2042L | SGVF2052L |
|------------------------------|------------|-----------|-----------|-----------|-----------|-----------|
| PART NUMBER | 110620 | 110615 | 110616 | 110617 | 110618 | 110619 |
| HP | 2 | 2 | 2 | 2 | 2 | 2 |
| VOLTAGE | 200 | 240 | 200 | 240 | 480 | 600 |
| PH/HZ | 1/60 | 1/60 | 3/60 | 3/60 | 3/60 | 3/60 |
| RPM (NOMINAL) | 3450 | 3450 | 3450 | 3450 | 3450 | 3450 |
| NEMA START CODE | F | H | J | J | J | J |
| FULL LOAD AMPS | 17.0 | 15.0 | 11.0 | 9.0 | 4.0 | 3.2 |
| LOCKED ROTOR AMPS | 53.0 | 53.8 | 42.0 | 36.0 | 18.0 | 14.4 |
| CORD SIZE | 12/4 | 12/4 | 12/4 | 12/4 | 12/4 | 12/4 |
| CORD O.D. | SOW | SOW | SOW | SOW | SOW | SOW |
| CORD O.D. ± .02 (.5) IN (MM) | 0.67 (17) | 0.67 (17) | 0.67 (17) | 0.67 (17) | 0.67 (17) | 0.67 (17) |



SEVERAL ALTERNATE CORDS ARE AVAILABLE. SENSOR CORD FOR ALL MODELS IS 14/3 SOW, 0.55 (14MM) ± .02 (.51MM) O.D. (NOT USED ON SGVF2022L, SGVF2022L,



TEMPERATURE SENSOR CORD. TEMPERATURE SENSOR CORD FOR ALL MODELS IS 18/5 SOW, 0.49 (12.4MM) ± .02 (.51MM) O.D., REPLACES



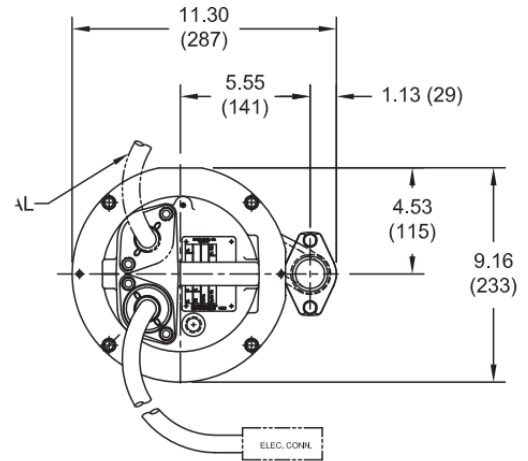
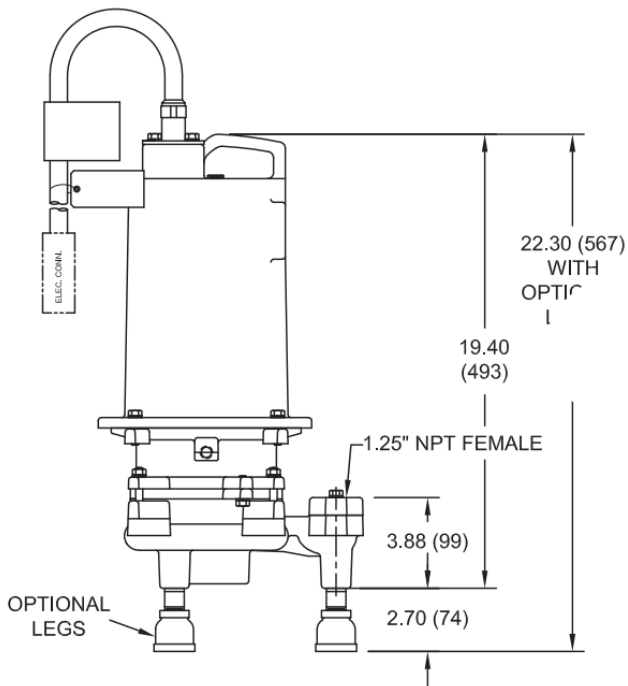
(*) THIS PUMP IS NOT CSA LISTED




Important

- 1.) MODELS SGVF2002L AND SGFH2002L ARE NOT CSA LISTED
- 2.) PUMP MAY BE OPERATED "DRY" FOR EXTENDED PERIODS WITHOUT DAMAGE TO MOTOR AND/OR SEALS.
- 3.) INSTALLATIONS SUCH AS DECORATIVE FOUNTAINS OR WATER FEATURES PROVIDED FOR VISUAL ENJOYMENT MUST BE INSTALLED IN ACCORDANCE WITH THE NATIONAL ELECTRIC CODE ANSI/NFPA 70 AND/OR THE AUTHORITY HAVING JURISDICTION. THIS PUMP IS NOT INTENDED FOR USE IN SWIMMING POOLS, RECREATIONAL WATER PARKS, OR INSTALLATIONS IN WHICH HUMAN CONTACT WITH PUMPED MEDIA IS A COMMON OCCURRENCE.

Drawing



 All dimensions are in inches (mm)