

SGVF – 2 HP

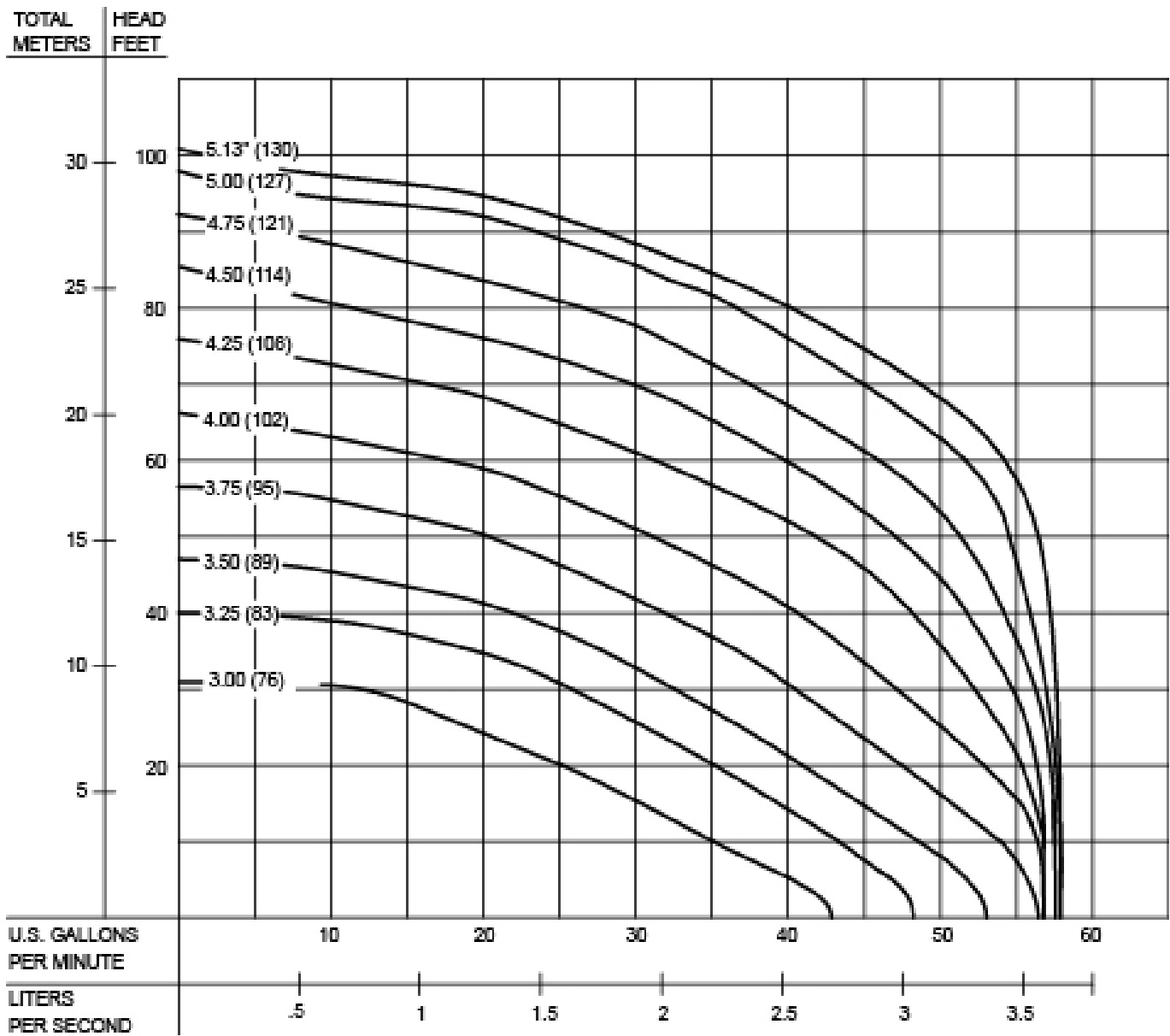
Recessed Vortex



Specifications

DISCHARGE:	1¼" NPT, Vertical, bolt-on flange
LIQUID TEMPERATURE:	160°F (71°C) Intermittent
CORD ENTRY:	30 ft. (9.1 m) Std. Cord. Custom molded quick connect, for sealing and strain relief
CORD:	CSA/UL Approved 12/4 type SOW
VOLUTE:	Cast iron ASTM A-48, class 30
MOTOR HOUSING:	Cast iron ASTM A-48, class 30
SEAL PLATE:	Cast iron ASTM A-48, class 30
IMPELLER:	Design: 12 Vane, vortex, with pump out vanes on back side. Dynamically balanced, ISO G6.3 Material: Cast iron
SHREDDING RING:	Hardened 440C stainless steel Rockwell® C-55
CUTTER:	Hardened 440C stainless steel, Rockwell® C-55
SHAFT:	416 Stainless steel
SQUARE RINGS:	Buna-N
HARDWARE:	300 Series Stainless Steel
PAINT:	Air dry enamel
	Design: Tandem mechanical, oil filled reservoir
SEAL:	Material: <ul style="list-style-type: none"> • Rotating faces: Carbon • Stationary faces: Ceramic • Elastomer - Buna-N • Hardware: 300 Series stainless steel
UPPER BEARING:	Design: Single row, ball, oil lubricated Load: Radial
INTERMEDIATE BEARING:	Design: Single row, ball, oil lubricated Load: Radial & thrust
LOWER BEARING:	Design: Sleeve, oil lubrication Load: Radial
SINGLE PHASE:	Capacitor start/capacitor run. Includes overload protection in the motor. Requires Barnes® Starter or Control Panel which includes capacitors, or capacitor pack
THREE PHASE:	Dual voltage 240/480; requires overload protection to be included in the control panel
MOTOR:	Design: NEMA L-single phase, (SGVF2022L, SGVH2022L, SGVF2002L or SGVH2002L, includes overload protection in the motor). NEMA B-three phase torque curve. oil-filled, squirrel cage induction Insulation: Class B

Curves



Pump HP	Impeller Dia in. (mm)
2	5.13 (130)

Model Information

MODEL NUMBER	SGVF2002L*	SGVF2022L	SGVF2062L	SGVF2032L	SGVF2042L	SGVF2052L
PART NUMBER	110614	110609	110610	110611	110612	110613
HP	2	2	2	2	2	2
VOLTAGE	200	240	200	240	480	600
PHASE/HZ	1/60	1/60	3/60	3/60	3/60	3/60
RPM (NOMINAL)	3450	3450	3450	3450	3450	3450
NEMA START CODE	F	H	J	J	J	J
FULL LOAD AMPS	17.0	15.0	11.0	9.0	4.0	3.2
LOCKED ROTOR AMPS	53.0	53.8	42.0	36.0	18.0	14.4
CORD SIZE	12/4	12/4	12/4	12/4	12/4	12/4
CORD O.D.	SOW	SOW	SOW	SOW	SOW	SOW
CORD O.D. ± .02 (.5) IN (MM)	0.67 (17)	0.67 (17)	0.67 (17)	0.67 (17)	0.67 (17)	0.67 (17)



SEVERAL ALTERNATE CORDS ARE AVAILABLE. SENSOR CORD FOR ALL MODELS IS 14/3 SOW, 0.55 (14MM) ± .02 (.51MM) O.D. (NOT USED ON SGVF2022L, SGVH2022L, SGVF2032L, SGVF2042L, SGVF2052L)



TEMPERATURE SENSOR CORD TEMPERATURE SENSOR CORD FOR ALL MODELS IS 18/5 SOW, 0.49 (12.4MM) ± .02 (.51MM) O.D., REPLACES 18/5 SOW, 0.49 (12.4MM) ± .02 (.51MM) O.D.



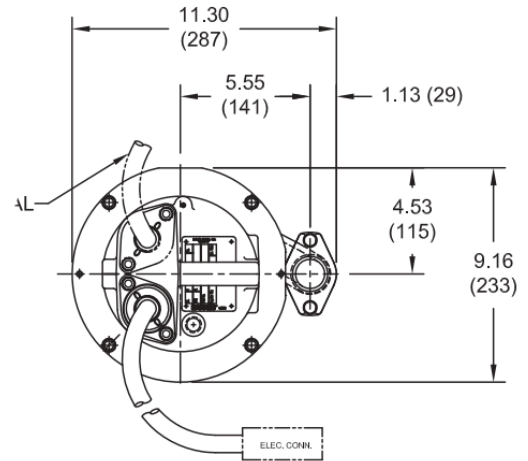
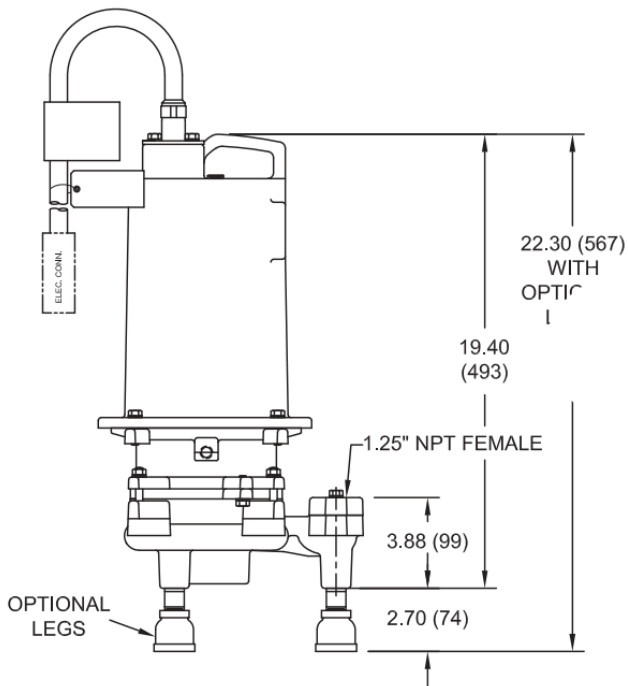
(*) THIS PUMP IS NOT CSA LISTED




Important

- 1.) MODELS SGVF2002L AND SGFH2002L ARE NOT CSA LISTED
- 2.) PUMP MAY BE OPERATED "DRY" FOR EXTENDED PERIODS WITHOUT DAMAGE TO MOTOR AND/OR SEALS.
- 3.) INSTALLATIONS SUCH AS DECORATIVE FOUNTAINS OR WATER FEATURES PROVIDED FOR VISUAL ENJOYMENT MUST BE INSTALLED IN ACCORDANCE WITH THE NATIONAL ELECTRIC CODE ANSI/NFPA 70 AND/OR THE AUTHORITY HAVING JURISDICTION. THIS PUMP IS NOT INTENDED FOR USE IN SWIMMING POOLS, RECREATIONAL WATER PARKS, OR INSTALLATIONS IN WHICH HUMAN CONTACT WITH PUMPED MEDIA IS A COMMON OCCURRENCE.

Drawing



 All dimensions are in inches (mm)