

# SGV – 3 HP

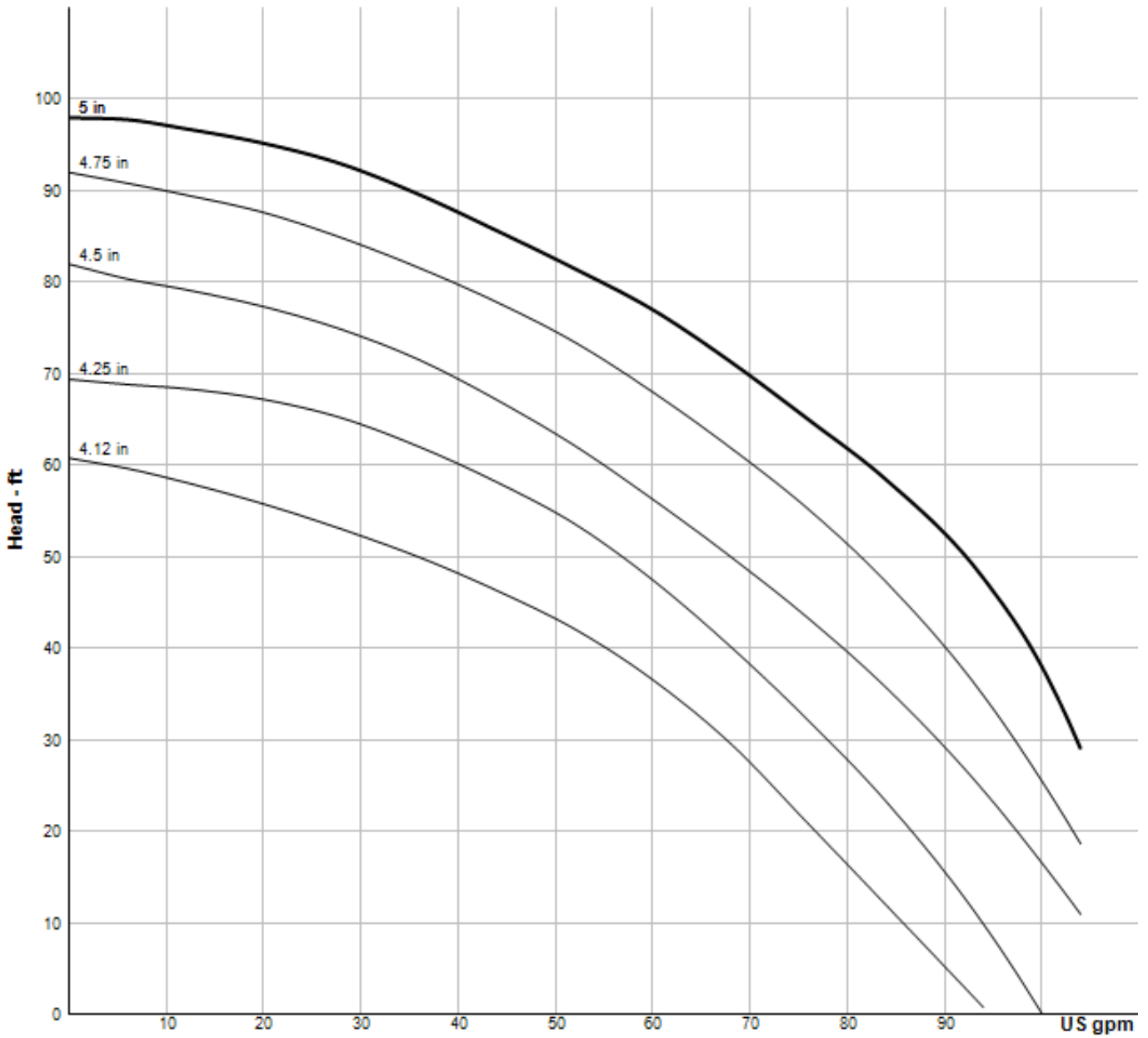
## Recessed Vortex



## Specifications

<b>DISCHARGE:</b>	2" NPT, Vertical
<b>LIQUID TEMPERATURE:</b>	104°F (40°C) Continuous
<b>CORD ENTRY:</b>	30 ft. (9.1 m) Std. Cord. Custom molded quick connect, for sealing and strain relief
<b>CORD:</b>	CSA/UL Approved 10/4, 6/4, 8/4 type SOW.
<b>VOLUTE:</b>	Cast iron ASTM A-48, class 30
<b>MOTOR HOUSING:</b>	Cast iron ASTM A-48, class 30
<b>SEAL PLATE:</b>	Cast iron ASTM A-48, class 30
<b>IMPELLER:</b>	<b>Design:</b> 12 Vane, vortex, with pump out vanes on back side. Dynamically balanced, ISO G6.3 <b>Material:</b> Cast iron
<b>SHREDDING RING:</b>	Hardened 440C stainless steel Rockwell® C-55
<b>CUTTER:</b>	Hardened 440C stainless steel, Rockwell® C-55
<b>SHAFT:</b>	416 Stainless steel
<b>SQUARE RINGS:</b>	Buna-N
<b>HARDWARE:</b>	300 Series Stainless Steel
<b>PAINT:</b>	Air dry enamel
<b>SEAL:</b>	<b>Design:</b> Tandem mechanical, oil filled reservoir <b>Material:</b> <ul style="list-style-type: none"> <li>• Rotating faces: Carbon</li> <li>• Stationary faces: Ceramic</li> <li>• Elastomer - Buna-N</li> <li>• Hardware: 300 Series stainless steel</li> </ul>
<b>UPPER BEARING:</b>	<b>Design:</b> Single row, ball, oil lubricated <b>Load:</b> Radial
<b>INTERMEDIATE BEARING:</b>	<b>Design:</b> Single row, ball, oil lubricated <b>Load:</b> Radial & thrust
<b>LOWER BEARING:</b>	<b>Design:</b> Sleeve, oil lubrication <b>Load:</b> Radial
<b>SINGLE PHASE:</b>	Capacitor start/capacitor run. Includes overload protection in the motor. Requires Barnes® Starter or Control Panel which includes capacitors, or capacitor pack
<b>THREE PHASE:</b>	Dual voltage 240/480; requires overload protection to be included in the control panel
<b>MOTOR:</b>	<b>Design:</b> NEMA L-single phase, NEMA B-three phase torque curve. oil-filled, squirrel cage induction <b>Insulation:</b> Class F

Curves



Pump HP	Impeller Dia in. (mm)
3	5.00 (127)
5	6.25 (159)
7.5	6.46 (164)

Model Information

MODEL NUMBER	SGV3072L	SGV3062L	SGV3032L	SGV3042L	SGV3052L
PART NUMBER	111608	111612	111609	111610	111611
HP	3	3	3	3	3
VOLTAGE/PHASE	200/240/1	200/3	240/3	480/3	600/3
HZ	60	60	60	60	60
RPM (NOMINAL)	3450	3450	3450	3450	3450
NEMA START CODE	G	J	K	K	J
FULL LOAD AMPS	25.2/21.7	17.0	14.5	7.2	5.6
LOCKED ROTOR AMPS	86/75	65.0	62.0	31.0	22.6
CORD SIZE	10/4	10/4	10/4	10/4	10/4
CORD O.D.	SOW	SOW	SOW	SOW	SOW
CORD O.D. ± .02 (.5) IN (MM)	0.75 (19)	0.75 (19)	0.75 (19)	0.75 (19)	0.75 (19)



**IMPORTANT**

- 1.) PUMP MAY BE OPERATED "DRY" FOR EXTENDED PERIODS WITHOUT DAMAGE TO MOTOR AND/OR SEALS.
- 2.) INSTALLATIONS SUCH AS DECORATIVE FOUNTAINS OR WATER FEATURES PROVIDED FOR VISUAL ENJOYMENT MUST BE INSTALLED IN ACCORDANCE WITH THE NATIONAL ELECTRIC CODE ANSI/NFPA 70 AND/OR THE AUTHORITY HAVING JURISDICTION. THIS PUMP IS NOT INTENDED FOR USE IN SWIMMING POOLS, RECREATIONAL WATER PARKS, OR INSTALLATIONS IN WHICH HUMAN CONTACT WITH PUMPED MEDIA IS A COMMON OCCURRENCE.



TEMPERATURE SENSOR CORD FOR PUMPS 0.75 (19) SOW CORD IS 14/2 SOW 0.55 (14MM) SOW (.54MM) O.D. TEMPERATURE SENSOR CORD FOR ALL

Drawing

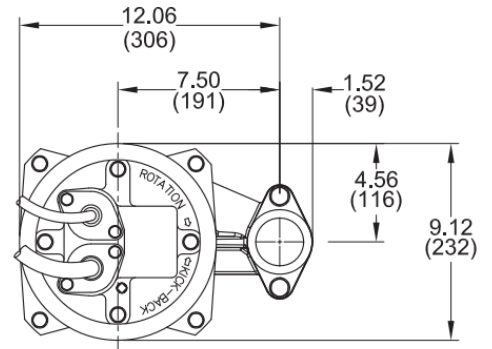
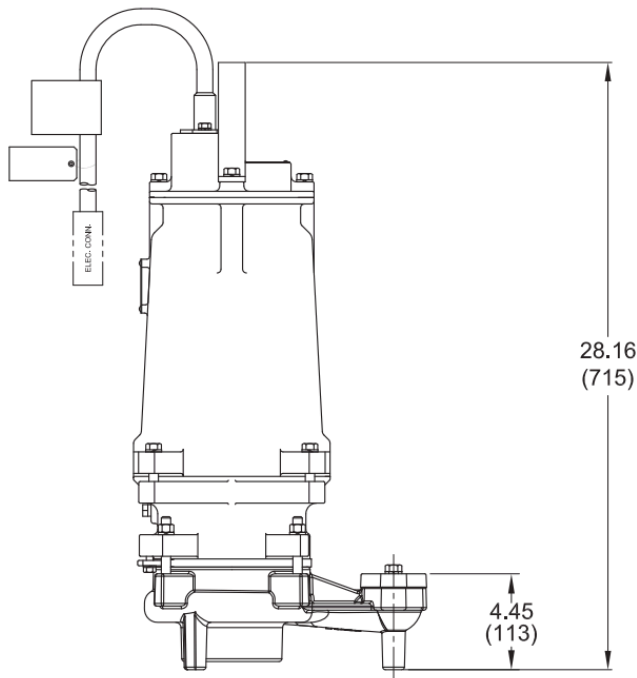


FIGURE SHOWN WITHOUT LIFTING BAIL



All dimensions are in inches (mm)