

OGVH – 2 HP

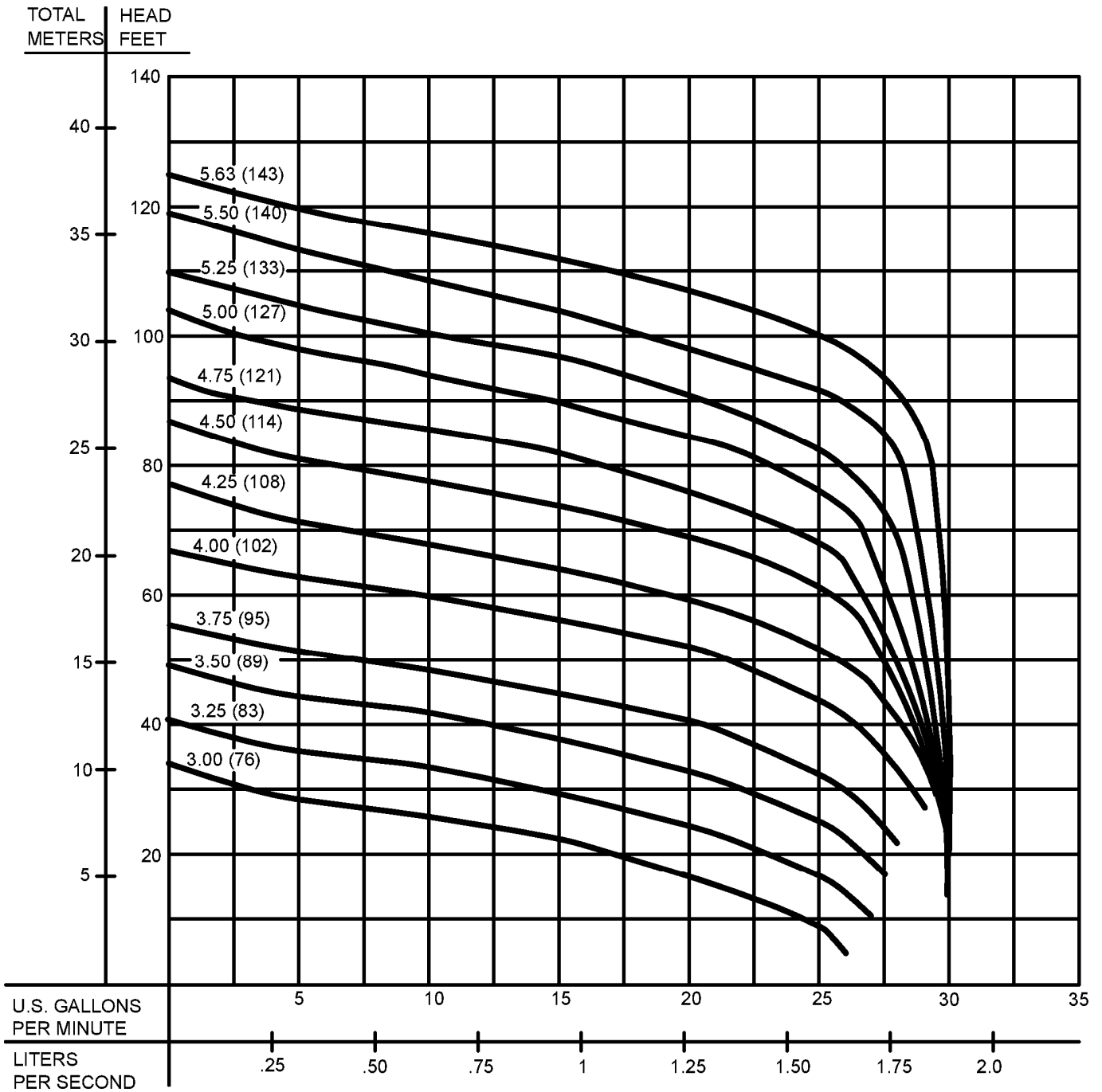
Recessed Vortex



Specifications

DISCHARGE:	1½" NPT, Vertical, bolt-on flange
LIQUID TEMPERATURE:	160°F (71°C) Intermittent
VOLUTE:	Cast iron ASTM A-48, class 30
MOTOR HOUSING:	Cast iron ASTM A-48, class 30
SEAL PLATE:	Cast iron ASTM A-48, class 30
IMPELLER:	Design: 12 Vane, vortex, with pump out vanes on back side. Dynamically balanced, ISO G6.3 Material: Cast iron
SHREDDING RING:	Hardened 440C stainless steel Rockwell® C-55
CUTTER:	Hardened 440C stainless steel, Rockwell® C-55
SHAFT:	416 Stainless steel
SQUARE RINGS:	Buna-N
HARDWARE:	300 Series Stainless Steel
PAINT:	Air dry enamel
	Design: Single mechanical
	Material:
SEAL:	<ul style="list-style-type: none"> • Rotating faces: Silicon-carbide • Stationary faces: Silicon-carbide • Elastomer - Buna-N • Hardware: 300 Series stainless
CORD ENTRY:	30 ft. (9.1 m) Std. cord. Custom molded quick connect, for sealing and strain relief
CORD:	Manual, CSA/UL approved, 12/4 type SOW
UPPER BEARING:	Design: Single row, ball, oil lubricated Load: Radial
LOWER BEARING:	Design: Single row, ball, oil lubrication Load: Radial & thrust
MOTOR:	Design: NEMA L-single phase torque curve. oil-filled, squirrel cage induction Insulation: Class F
SINGLE PHASE:	Capacitor start/capacitor run

Curves



Pump HP	Impeller Dia in. (mm)
2	5.63 (143)

Model Information

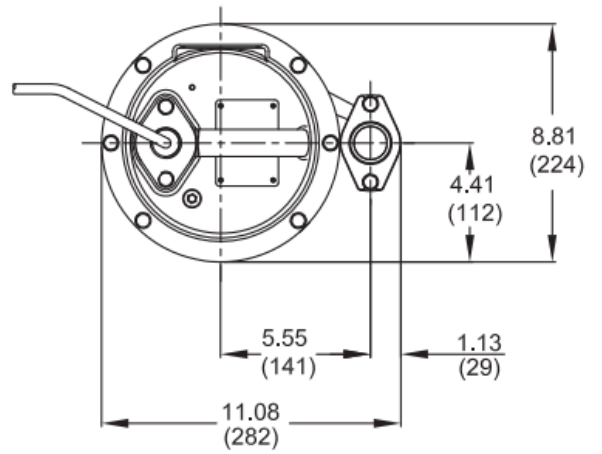
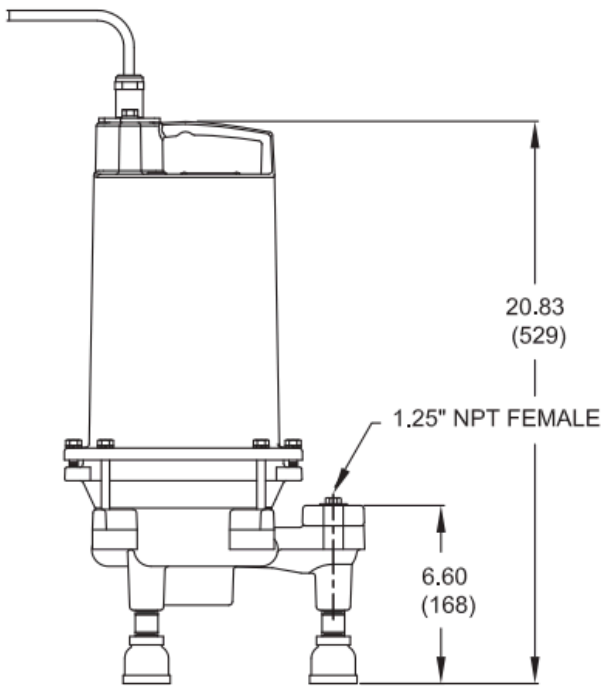
MODEL NUMBER	OGVH2022L
PART NUMBER	110649
HP	2
VOLTAGE	240
PHASE/HZ	1/60
RPM (NOMINAL)	3450
NEMA START CODE	H
FULL LOAD AMPS	15.0
LOCKED ROTOR AMPS	53.8
CORD SIZE	12/3
CORD O.D.	SOW
CORD O.D. ± .02 (.5) IN (MM)	0.61 (15.5)



IMPORTANT

- 1.) PUMP MAY BE OPERATED "DRY" FOR EXTENDED PERIODS WITHOUT DAMAGE TO MOTOR AND/OR SEALS.
- 2.) INSTALLATIONS SUCH AS DECORATIVE FOUNTAINS OR WATER FEATURES PROVIDED FOR VISUAL ENJOYMENT MUST BE INSTALLED IN ACCORDANCE WITH THE NATIONAL ELECTRIC CODE ANSI/NFPA 70 AND/OR THE AUTHORITY HAVING JURISDICTION. THIS PUMP IS NOT INTENDED FOR USE IN SWIMMING POOLS, RECREATIONAL WATER PARKS, OR INSTALLATIONS IN WHICH HUMAN CONTACT WITH PUMPED MEDIA IS A COMMON OCCURRENCE.

Drawing



All dimensions are in inches (mm)