

# Series OGVF-AU & OGVH-AU

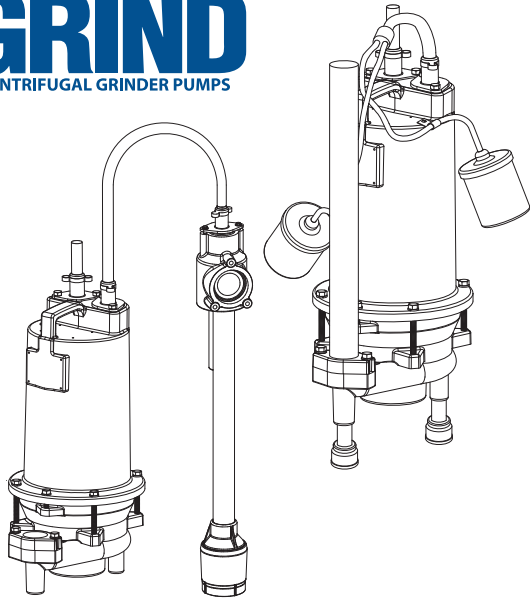
Recessed Vortex  
with Level Control

# BARNES®

www.cranepumps.com

## Submersible Grinder Pumps

**omni**  
**GRIND™**  
CENTRIFUGAL GRINDER PUMPS



### Series: OGVF-AU & OGVH-AU 2HP, 3450RPM, 60Hz with Level Control High-Flow and High Head

Sample Specifications: Section 3 Page 11.

#### DESCRIPTION:

THE GRINDER PUMP IS DESIGNED TO REDUCE DOMESTIC, COMMERCIAL, INSTITUTIONAL AND LIGHT INDUSTRIAL SEWAGE TO A FINELY GROUND SLURRY.



**WARNING:**  
CANCER AND REPRODUCTIVE HARM -  
WWW.P65WARNINGS.CA.GOV

#### Specifications:

<b>DISCHARGE</b> .....	1½" NPT, Vertical, Bolt-on Flange
<b>LIQUID TEMPERATURE</b> .....	160°F (71°C) Intermittent
<b>VOLUTE</b> .....	Cast Iron ASTM A-48, Class 30
<b>MOTOR HOUSING</b> .....	Cast Iron ASTM A-48, Class 30
<b>SEAL PLATE</b> .....	Cast Iron ASTM A-48, Class 30
<b>IMPELLER: Design</b> .....	12 Vane, Vortex, With Pump Out Vanes On Back Side. Dynamically Balanced, ISO G6.3.
<b>Material</b> .....	Cast Iron
<b>SHREDDING RING</b> .....	Hardened 440C Stainless Steel Rockwell® C-55.
<b>CUTTER</b> .....	Hardened 440C Stainless Steel, Rockwell® C-55.
<b>SHAFT</b> .....	416 Stainless Steel
<b>SQUARE RINGS</b> .....	Buna-N
<b>HARDWARE</b> .....	300 Series Stainless Steel
<b>PAINT</b> .....	Air Dry Enamel.
<b>SEAL: Design</b> .....	Single Mechanical
<b>Material</b> .....	Rotating Faces - Silicon-Carbide Stationary Faces - Silicon-Carbide Elastomer - Buna-N
<b>CORD ENTRY</b> .....	Hardware -300 Series Stainless 30 ft. (9.1 m) Std. Cord. Custom Molded Quick Connect, for Sealing and Strain Relief
<b>CORD</b> <i>Automatic</i> .....	CSA/UL Approved 12/5 Type SOW
<b>UPPER BEARING:</b>	
<i>Design</i> .....	Single Row, Ball, Oil Lubricated
<i>Load</i> .....	Radial
<b>LOWER BEARING:</b>	
<i>Design</i> .....	Single Row, Ball, Oil Lubrication:
<i>Load</i> .....	Radial & Thrust
<b>MOTOR: Design</b> .....	NEMA L-Single Phase Torque Curve. Oil-Filled, Squirrel Cage Induction.
<i>Insulation</i> .....	Class F.
<b>SINGLE PHASE</b> .....	Capacitor Start/Capacitor Run.
<b>LEVEL CONTROL:</b>	
<i>AU Series</i> .....	On/Off & Alarm Wide Angle, PVC Mechanical, Normally Open, Integral to pump. Custom molded quick connect for sealing and strain relief
<i>AUE Series</i> .....	<b>SOLD SEPARATELY (See Accessory Section C page 36A)</b> Model ESPS-150, Environmentally sealed pressure switch with CPVC housing, HNBR diaphragm, Custom molded quick connect for sealing and strain relief
<b>OPTIONAL EQUIPMENT</b> .....	Seal Material, Impeller Trims, Cord Length, Moveable Fitting
<b>RECOMMENDED:</b>	
<i>Accessories</i> .....	Break Away Fitting (BAF) Check Valve Control Panel
<i>Seal Kit PN</i> .....	108303



SECTION 3B  
PAGE 12  
DATE 3/19

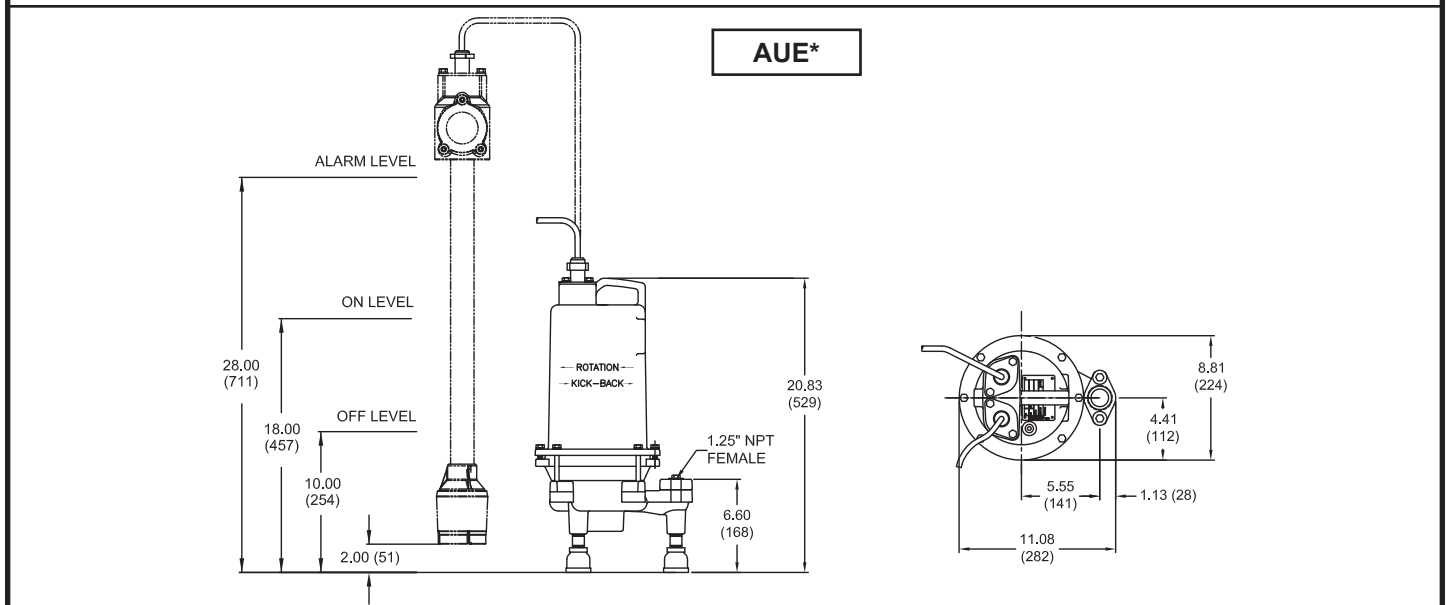
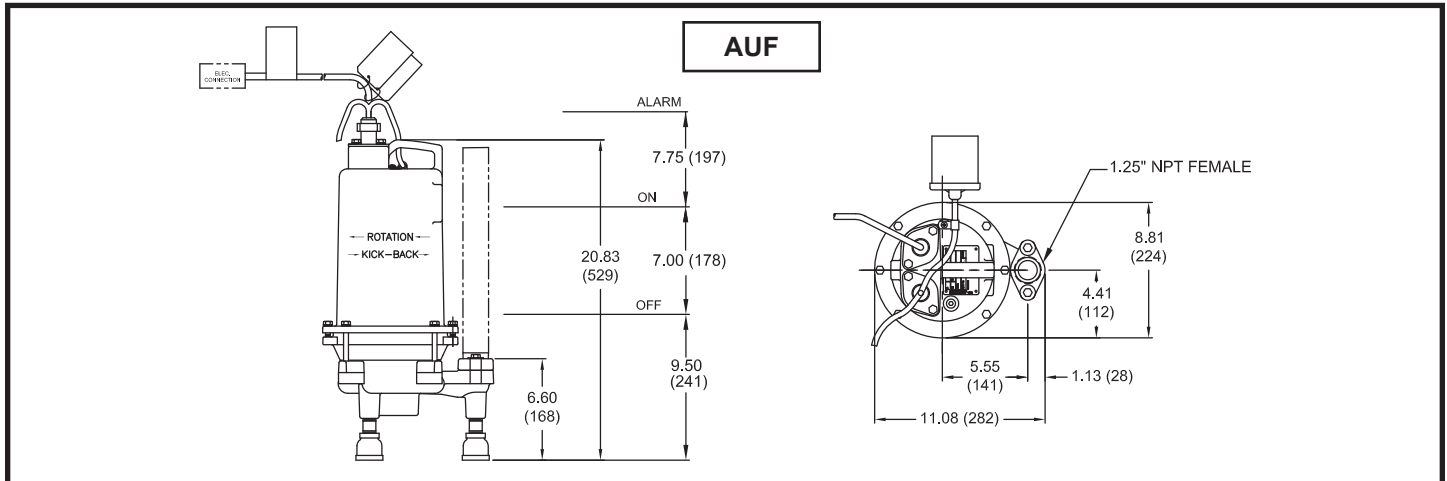
**CRANE**  
A Crane Co. Company

**PUMPS & SYSTEMS**

A Crane Co. Company

USA: (937) 778-8947 • Canada: (905) 457-6223 • International: (937) 615-3598

### Submersible Grinder Pumps



MODEL NO	PART NO	HP	VOLT	PH/Hz	RPM (Nom)	NEMA START CODE	FULL LOAD AMPS	LOCKED ROTOR AMPS	CORD SIZE	CORD TYPE	CORD O.D. ± .02 (.5) in (mm)
<b>HIGH-FLOW</b>											
OGVF2022AUF	110652	2	240	1 / 60	3450	H	15.0	53.8	12/5	SOW	.71 (18)
OGVF2022AUE*	116892	2	240	1 / 60	3450	H	15.0	53.8	12/5	SOW	.71 (18)
<b>HIGH-HEAD</b>											
OGVH2022AUF	110650	2	240	1 / 60	3450	H	15.0	53.8	12/5	SOW	.71 (18)
OGVH2022AUE*	116896	2	240	1 / 60	3450	H	15.0	53.8	12/5	SOW	.71 (18)

(\* ESPS Level Control Sold Separately, See Accessory Section C page 36A & B.

**IMPORTANT !**

- 1.) "AUF" SERIES PUMPS NOT UL OR CSA LISTED
- 2.) PUMP MAY BE OPERATED "DRY" FOR EXTENDED PERIODS WITHOUT DAMAGE TO MOTOR AND/OR SEALS.
- 3.) INSTALLATIONS SUCH AS DECORATIVE FOUNTAINS OR WATER FEATURES PROVIDED FOR VISUAL ENJOYMENT MUST BE INSTALLED IN ACCORDANCE WITH THE NATIONAL ELECTRIC CODE ANSI/NFPA 70 AND/OR THE AUTHORITY HAVING JURISDICTION. THIS PUMP IS NOT INTENDED FOR USE IN SWIMMING POOLS, RECREATIONAL WATER PARKS, OR INSTALLATIONS IN WHICH HUMAN CONTACT WITH PUMPED MEDIA IS A COMMON OCCURRENCE.

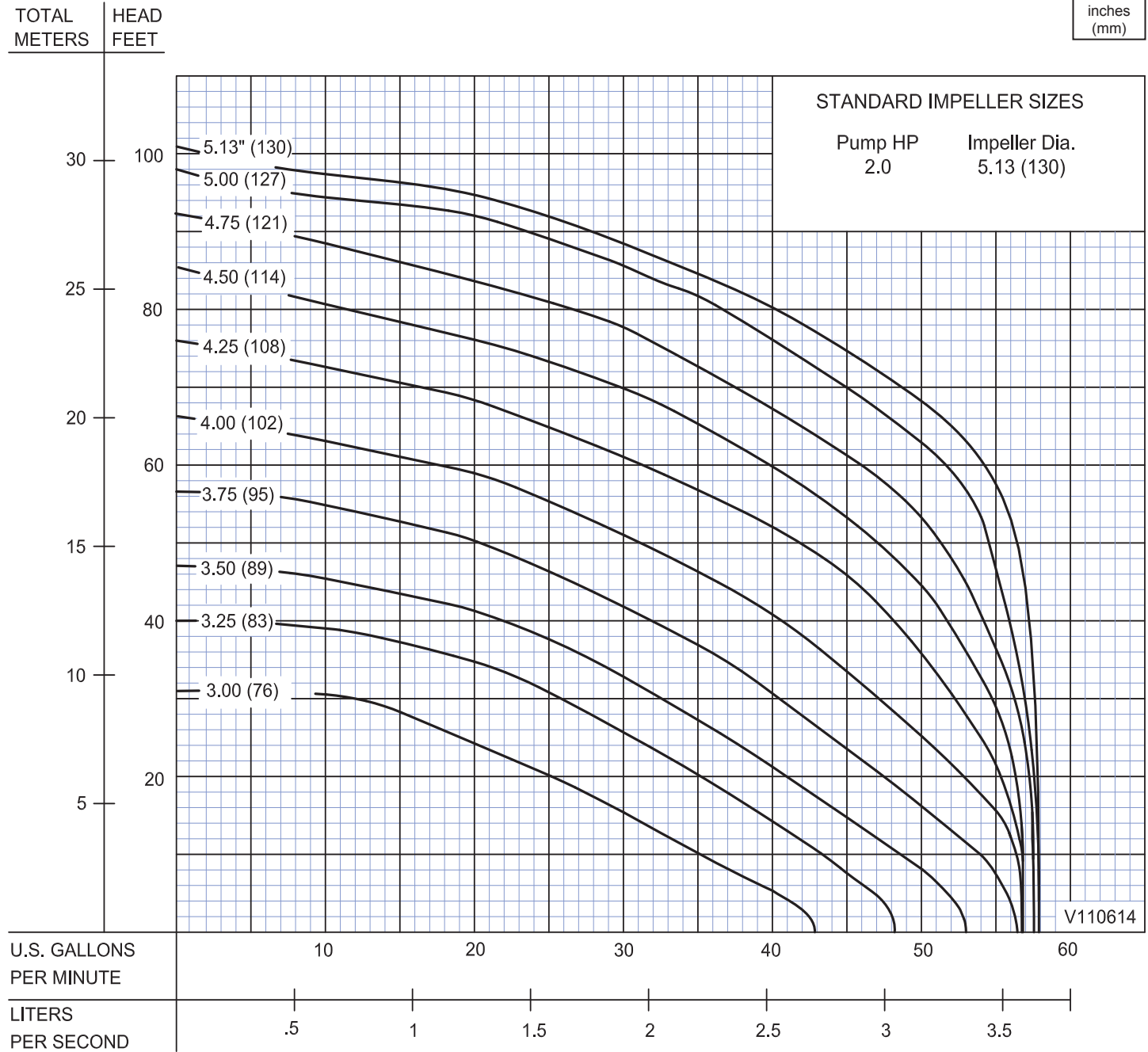
# Series OGVF-AU

Performance Curve  
2HP, 3450RPM, 60Hz, High-Flow

# BARNES®

www.cranepumps.com

## Submersible Grinder Pumps



Testing is performed with water, specific gravity 1.0 @ 68° F @ (20°C), other fluids may vary performance

SECTION 3B  
PAGE 14  
DATE 7/09

**CRANE®**

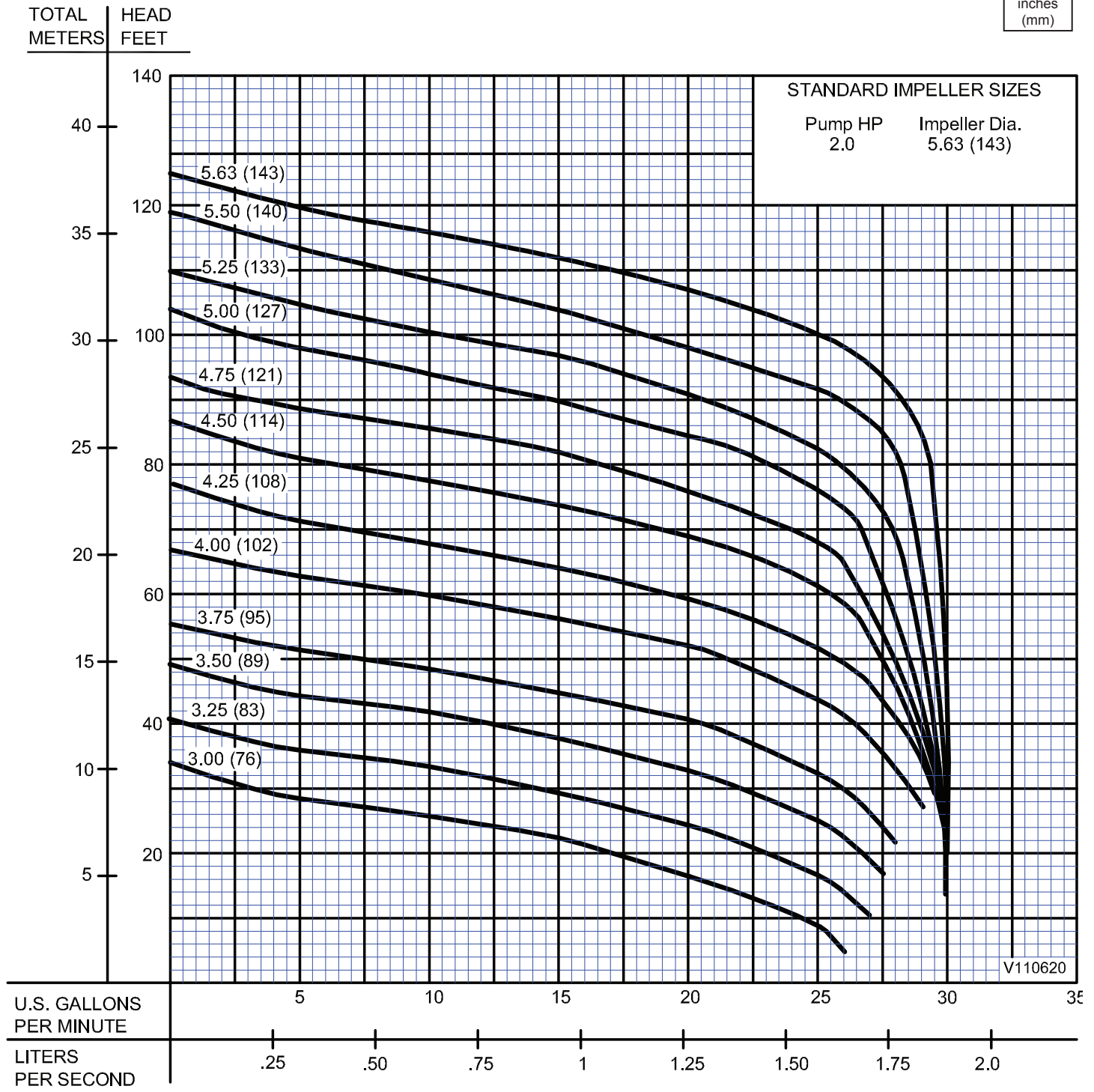
A Crane Co. Company

**PUMPS & SYSTEMS**

USA: (937) 778-8947 • Canada: (905) 457-6223 • International: (937) 615-3598

### Submersible Grinder Pumps

inches  
(mm)



Testing is performed with water, specific gravity 1.0 @ 68° F @ (20°C), other fluids may vary performance