

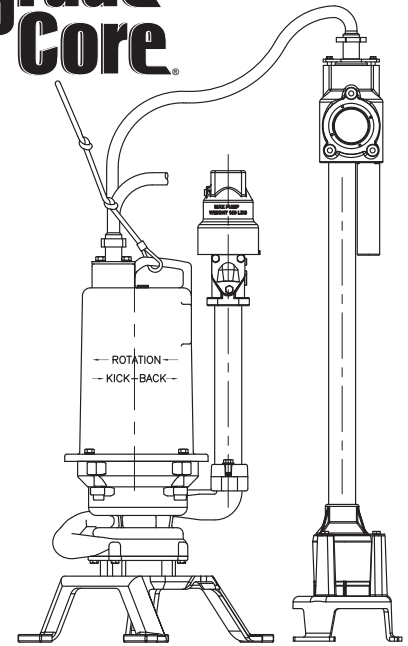
Submersible Grinder Pumps

Specifications:

| | |
|--------------------------------|---|
| DISCHARGE | 1 1/4" NPT |
| LIQUID TEMPERATURE | 104°F (40°C) Continuous |
| VOLUTE | Cast Iron ASTM A-48, Class 30 |
| MOTOR HOUSING | Cast Iron ASTM A-48, Class 30 |
| SEAL PLATE | Cast Iron ASTM A-48, Class 30 |
| IMPELLERS: <i>Design</i> | 12 Vane, Vortex, With Pump Out Vanes |
| | On Back Side. Dynamically Balanced, ISO G6.3. |
| | <i>Material</i> |
| | 85-5-5 Bronze |
| IMPELLER SPACER..... | 300 Series Stainless Steel |
| SHREDDING RING | Hardened 440C Stainless Steel |
| | Rockwell® C-55. |
| CUTTER | Hardened 440C Stainless Steel, |
| | Rockwell® C-55. |
| SHAFT | 416 Stainless Steel |
| SQUARE RINGS | Buna-N |
| HARDWARE | 300 Series Stainless Steel |
| PAINT | Air Dry Enamel. |
| SEAL: | |
| | <i>Design</i> |
| | Single Mechanical |
| | <i>Material</i> |
| | Rotating Faces - Silicon-Carbide |
| | Stationary Faces - Silicon-Carbide |
| | Elastomer - Buna-N |
| | Hardware -300 Series Stainless |
| CORD ENTRY | 15ft. (3.0m) Std. Cord. Custom Molded |
| | Quick Connect, for Sealing and Strain Relief (EQD Optional) |
| CORD | <i>Automatic</i> |
| | CSA/UL Approved 12/5 Type SOW |
| UPPER BEARING: | |
| | <i>Design</i> |
| | Single Row, Angular contact Ball |
| | <i>Lubrication</i> . Oil |
| | <i>Load</i> |
| | Radial & Thrust |
| LOWER BEARING: | |
| | <i>Design</i> |
| | Single Row, Angular contact Ball |
| | <i>Lubrication</i> Oil |
| | <i>Load</i> |
| | Radial & Thrust |
| MOTOR: <i>Design</i> | NEMA L-Single Phase Torque Curve, |
| | Oil-Filled, Squirrel Cage Induction |
| | <i>Insulation</i> |
| | Class F |
| SINGLE PHASE..... | Capacitor Start/Capacitor Run |
| SUPPORT PLATE | Painted Cast Iron with rubber feet, |
| | Stainless Steel Hardware |
| LEVEL CONTROL | Model ESPS-150, Environmentally sealed |
| | pressure switch with CPVC housing, |
| | HNBR diaphragm, Custom molded quick |
| | connect for sealing and strain relief |
| CHECK/ANTI-SIPHON VALVE | |
| | <i>Body</i> |
| | Cast Iron ASTM A-48, Class 30 |
| | <i>Seat</i> |
| | Bronze ASTM C836 |
| | <i>Flap</i> |
| | Fiber Reinforced Buna |



Upgrade Core



Series: OGP2022AUE 2HP, 3450RPM, 60Hz Upgrade Core with Level Control

DESCRIPTION:

THE GRINDER PUMP IS DESIGNED TO REDUCE DOMESTIC SEWAGE TO A FINELY GROUND SLURRY.



WARNING:

CANCER AND REPRODUCTIVE HARM -
WWW.P65WARNINGS.CA.GOV



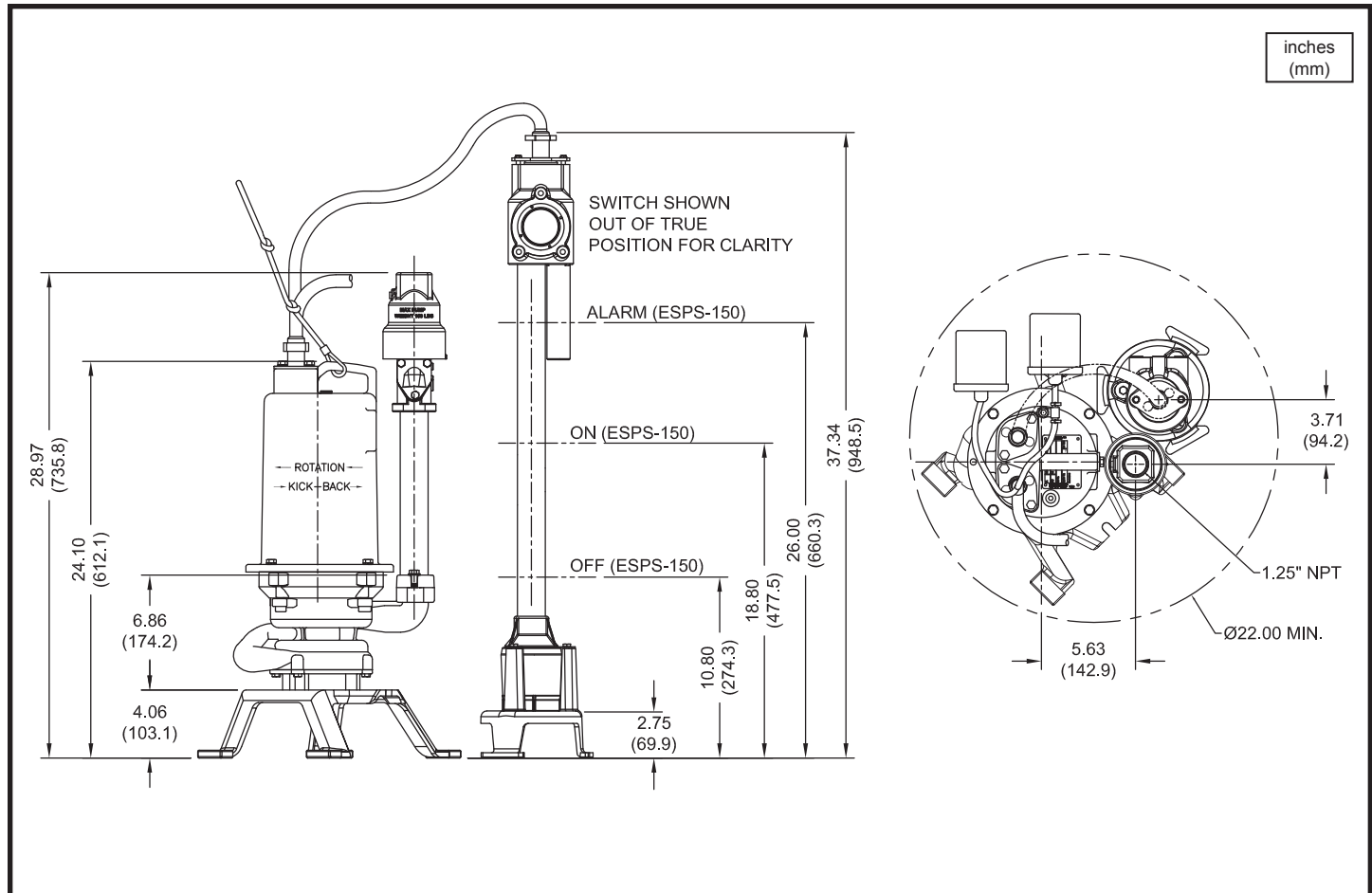
Model OGP2022AUE

1.25" NPT Upgrade Core

BARNES®

www.cranepumps.com

Submersible Grinder Pumps



| MODEL NO | PART NO | HP | VOLT/PH | Hz | RPM (Nom) | NEMA START CODE | FULL LOAD AMPS | LOCKED ROTOR AMPS | CORD SIZE | CORD TYPE | CORD O.D. ± .02 (.5) in (mm) | OPTIONAL EQD |
|------------|-----------|----|---------|----|-----------|-----------------|----------------|-------------------|------------|-----------|------------------------------|----------------|
| OGP2022AUE | 131281 | 2 | 240/1 | 60 | 3450 | H | 16.5 | 53.8 | 12/5 - 15' | SOW | .71 (18) | No |
| OGP2022AUE | 131281XC | 2 | 240/1 | 60 | 3450 | H | 16.5 | 53.8 | 12/5 - 30' | SOW | .71 (18) | No |
| OGP2022AUE | 131281E | 2 | 240/1 | 60 | 3450 | H | 16.5 | 53.8 | 12/5 - 15' | SOW | .71 (18) | 2000 Series |
| OGP2022AUE | 131281EXC | 2 | 240/1 | 60 | 3450 | H | 16.5 | 53.8 | 12/5 - 30' | SOW | .71 (18) | 2000 Series |
| OGP2022AUE | 131281T | 2 | 240/1 | 60 | 3450 | H | 16.5 | 53.8 | 12/5 - 30' | SOW | .71 (18) | Extreme Series |
| OGP2022AUE | 131281TXC | 2 | 240/1 | 60 | 3450 | H | 16.5 | 53.8 | 12/5 - 30' | SOW | .71 (18) | Extreme Series |

Optional Circuit Breakers - Ordered Separately

| PART NO. | DESCRIPTION |
|----------|---------------------------------|
| 113291B | 20 AMP, GE THQP Snap in Breaker |
| 105476 | 20 AMP, DIN Rail Breaker |

OPTIONAL INDOOR REMOTE ALARM LIGHT

| | PART NO. | PLATE COLOR |
|--|----------|-------------|
| | 130849B | ALMOND |
| | 130849W | WHITE |
| | 130849S | STAINLESS |

(Ordered Separately)

IMPORTANT !

- PUMP MAY BE OPERATED "DRY" FOR EXTENDED PERIODS WITHOUT DAMAGE TO MOTOR AND/OR SEALS.
- INSTALLATIONS SUCH AS DECORATIVE FOUNTAINS OR WATER FEATURES PROVIDED FOR VISUAL ENJOYMENT MUST BE INSTALLED IN ACCORDANCE WITH THE NATIONAL ELECTRIC CODE ANSI/NFPA 70 AND/OR THE AUTHORITY HAVING JURISDICTION. THIS PUMP IS NOT INTENDED FOR USE IN SWIMMING POOLS, RECREATIONAL WATER PARKS, OR INSTALLATIONS IN WHICH HUMAN CONTACT WITH PUMPED MEDIA IS A COMMON OCCURRENCE.

SECTION 3B
PAGE 30
DATE 8/16

CRANE®

A Crane Co. Company

PUMPS & SYSTEMS

USA: (937) 778-8947 • Canada: (905) 457-6223 • International: (937) 615-3598

Submersible Grinder Pumps



Performance curve includes impact of integral anti-siphon and check valve.
Testing is performed with water, specific gravity 1.0 @ 68° F @ (20°C), other fluids may vary performance