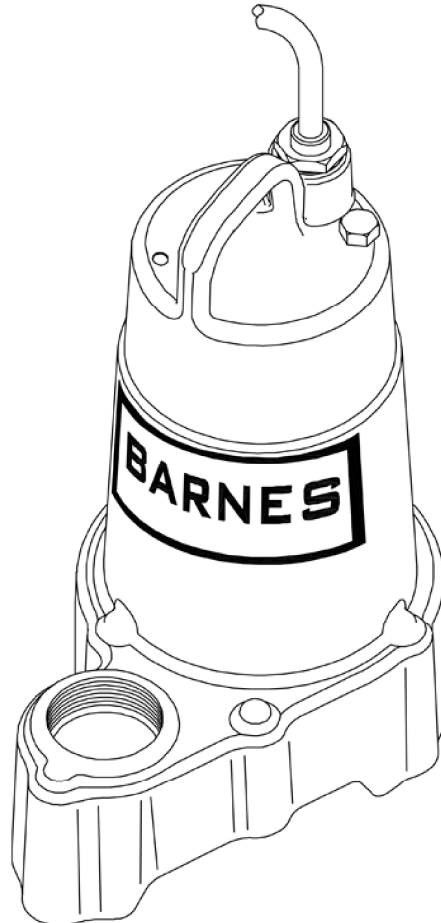
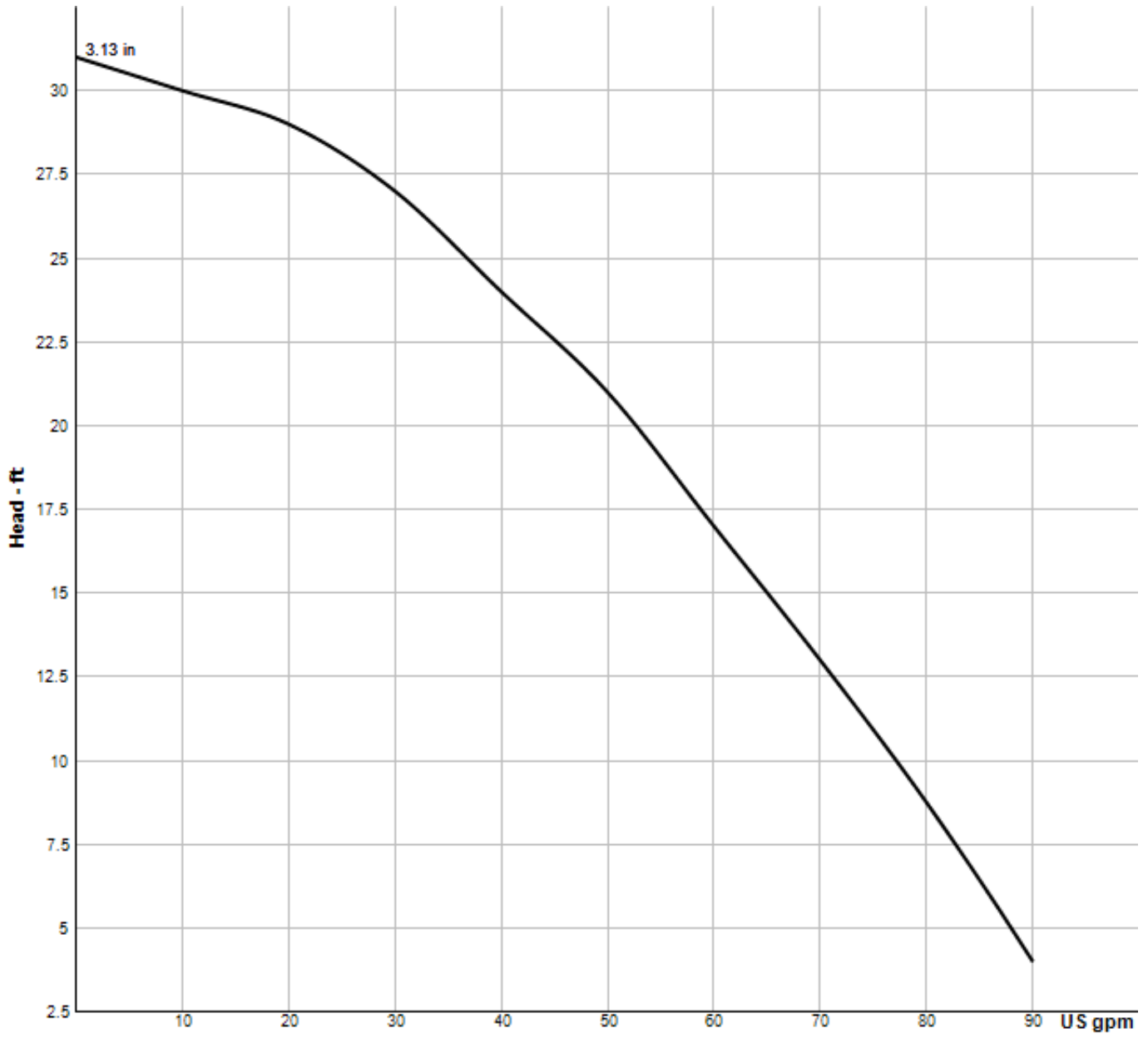


EP72X – 3/4 HP

3/4" Spherical Solids Handling - Manual & Automatic



DISCHARGE:	1½" NPT, Female, vertical
LIQUID TEMPERATURE:	104°F (40°C) Continuous
MOTOR HOUSING:	Cast iron
VOLUTE & STRAINER:	Thermoplastic
IMPELLER:	<ul style="list-style-type: none"> • Design: 10 Vane vortex, with pump out vanes on back side. Balanced, ISO G6.3 • Material: Cast iron
SHAFT:	Stainless steel
O-RINGS:	Buna-N
HARDWARE:	300 Series stainless steel
PAINT:	Air dry enamel
SEAL:	<ul style="list-style-type: none"> • Design: Single mechanical, type 21 • Material: Silicon Carbide/Silicon Carbide/Buna-N • Hardware: 300 Series stainless
CORD ENTRY:	20 ft. (6m) Quick connect cord with plug and pressure grommet for sealing and strain relief
UPPER BEARING:	Single row, ball, oil lubricated
LOWER BEARING:	Single row, ball, oil lubricated
MOTOR:	<ul style="list-style-type: none"> • Design: Oil filled • Insulation: Class B
SINGLE PHASE:	Permanent Split Capacitor (PSC). Includes thermal overload protection in motor
LEVEL CONTROL:	<ul style="list-style-type: none"> • EP72X: None • EP72AX: Wide angle, mechanical, 20 ft. (6m) cord with Piggy-Back plug • EP72VFX: Vertical float, PVC, snap action, 20 ft (6m) cord with Piggy-Back plug
MINIMUM SUMP DIA:	<ul style="list-style-type: none"> • EP72AX: 18" (457mm) • EP72X & EP72VXF: 12" (305mm)



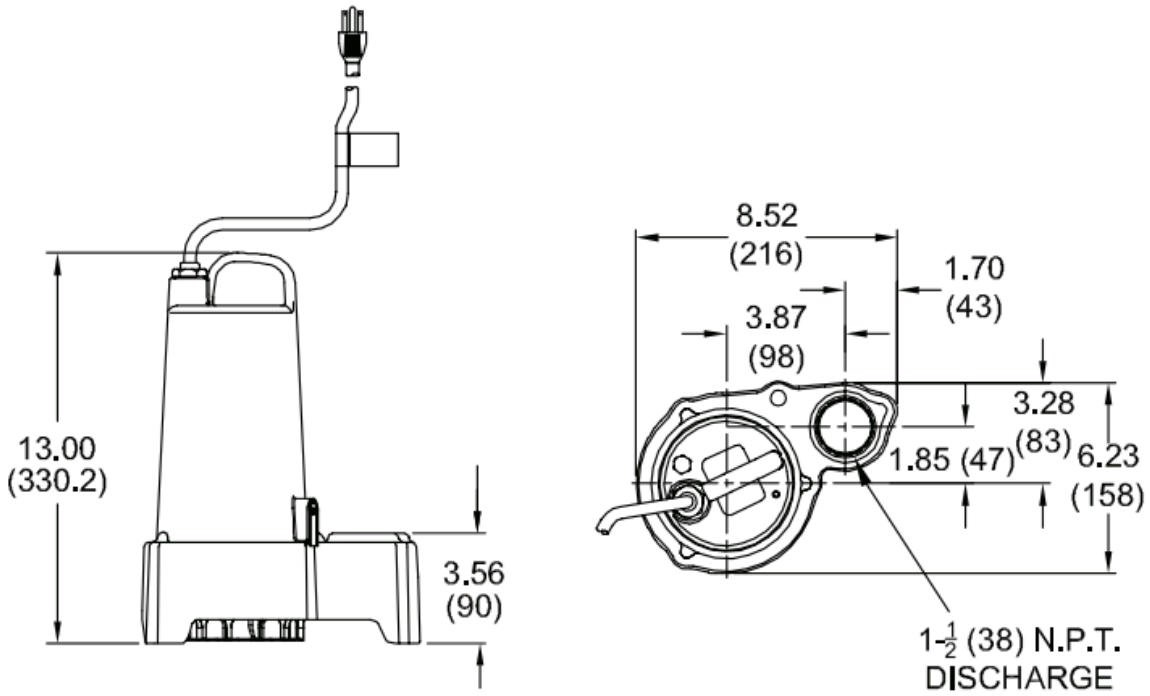
MODEL NUMBER	EP72X	EP72AX	EP72VFX
PART NUMBER	119331	119413	119414
HP	3/4	3/4	3/4
VOLTAGE/PHASE	240/1	240/1	240/1
HZ	60	60	60
RPM (NOMINAL)	3450	3450	3450
NEMA START CODE	A	A	A
FULL LOAD AMPS	4.3	4.3	4.3
CORD LENGTH	20 FT. (6M)	20 FT. (6M)	20 FT. (6M)
CORD SIZE	16/3	16/3	16/3
CORD TYPE	SJTOW	SJTOW	SJTOW
WEIGHT (LBS)	36	36	36



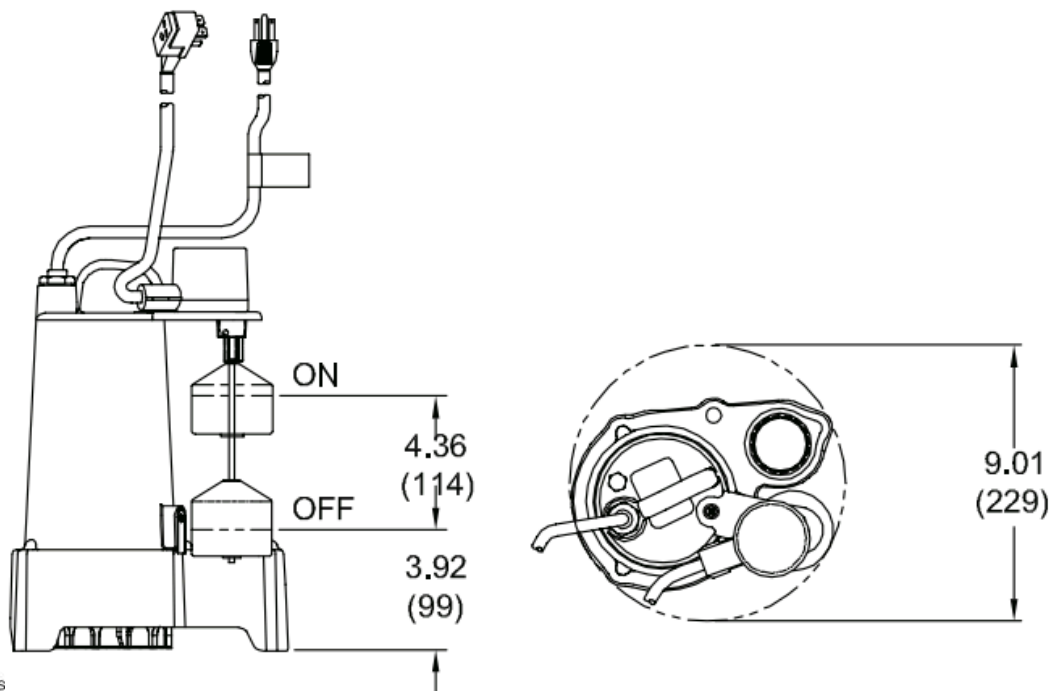
IMPORTANT

- 1.) PUMP MAY BE OPERATED "DRY" FOR EXTENDED PERIODS WITHOUT DAMAGE TO MOTOR AND/OR SEALS.
- 2.) INSTALLATIONS SUCH AS DECORATIVE FOUNTAINS OR WATER FEATURES PROVIDED FOR VISUAL ENJOYMENT MUST BE INSTALLED IN ACCORDANCE WITH THE NATIONAL ELECTRIC CODE ANSI/NFPA 70 AND/OR THE AUTHORITY HAVING JURISDICTION. THIS PUMP IS NOT INTENDED FOR USE IN SWIMMING POOLS, RECREATIONAL WATER PARKS, OR INSTALLATIONS IN WHICH HUMAN CONTACT WITH PUMPED MEDIA IS A COMMON OCCURRENCE.

EP72X

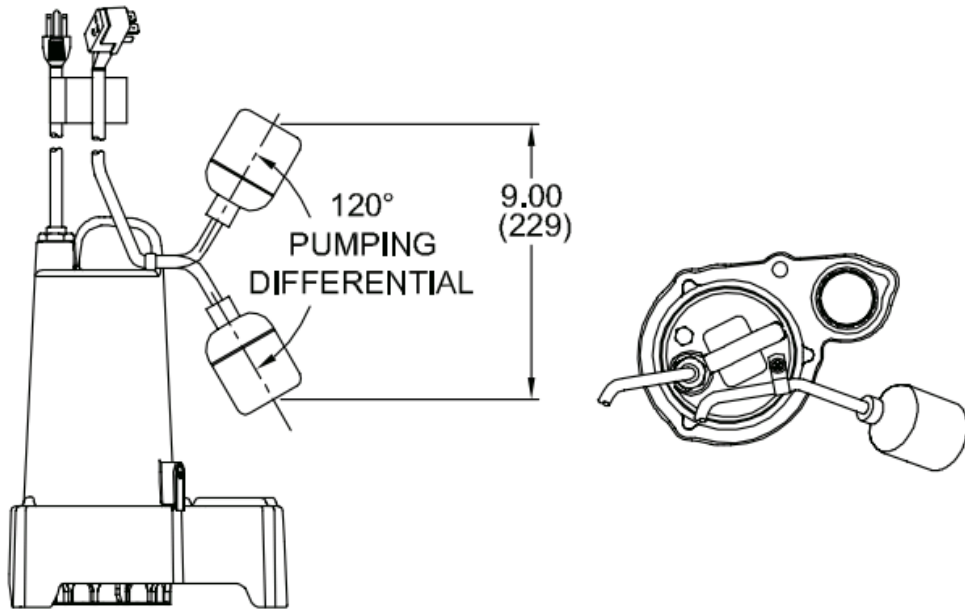


EP72VFX



All dimensions are in inches (mm)

EP72AX



All dimensions are in inches (mm)