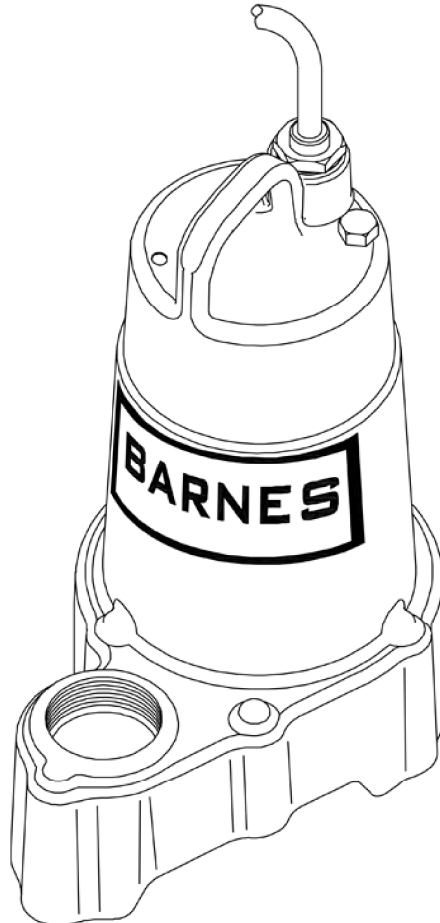
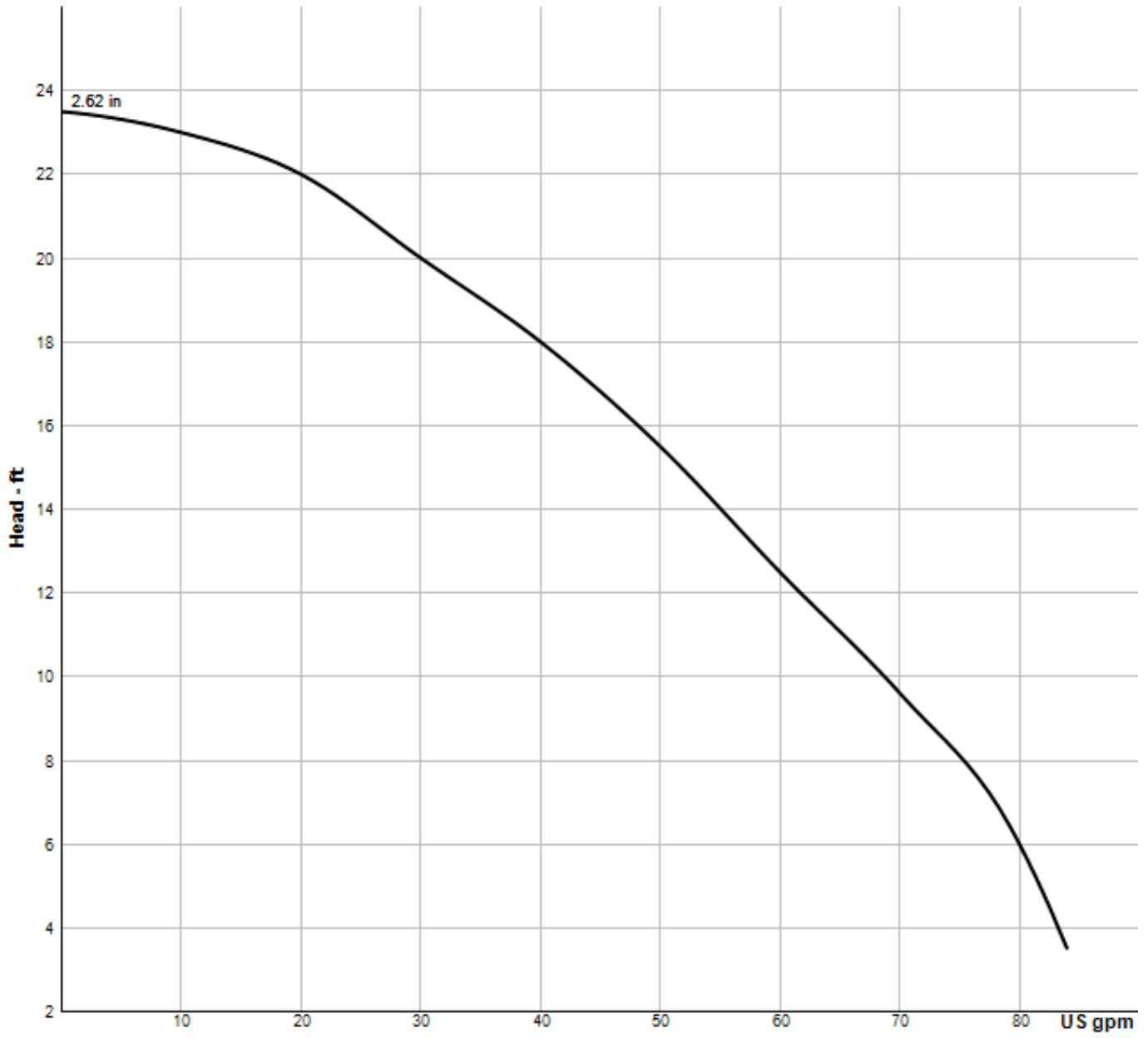


# EP52X – 1/2 HP

## 3/4" Spherical Solids Handling - Manual & Automatic



<b>DISCHARGE:</b>	1½" NPT, Female, vertical
<b>LIQUID TEMPERATURE:</b>	104°F (40°C) Continuous
<b>MOTOR HOUSING:</b>	Cast iron
<b>VOLUTE &amp; STRAINER:</b>	Thermoplastic
<b>IMPELLER:</b>	<ul style="list-style-type: none"> <li>• <b>Design:</b> 10 Vane vortex, with pump out vanes on back side. Balanced, ISO G6.3</li> <li>• <b>Material:</b> Cast iron</li> </ul>
<b>SHAFT:</b>	Stainless steel
<b>O-RINGS:</b>	Buna-N
<b>HARDWARE:</b>	300 Series stainless steel
<b>PAINT:</b>	Air dry enamel
<b>SEAL:</b>	<ul style="list-style-type: none"> <li>• <b>Design:</b> Single mechanical, type 21</li> <li>• <b>Material:</b> Silicon Carbide/Silicon Carbide/Buna-N</li> <li>• <b>Hardware:</b> 300 Series stainless</li> </ul>
<b>CORD ENTRY:</b>	20 ft. (6m) Quick connect cord with plug and pressure grommet for sealing and strain relief
<b>UPPER BEARING:</b>	Single row, ball, oil lubricated
<b>LOWER BEARING:</b>	Single row, ball, oil lubricated
<b>MOTOR:</b>	<ul style="list-style-type: none"> <li>• <b>Design:</b> Oil filled</li> <li>• <b>Insulation:</b> Class B</li> </ul>
<b>SINGLE PHASE:</b>	Permanent Split Capacitor (PSC). Includes thermal overload protection in motor
<b>LEVEL CONTROL:</b>	<ul style="list-style-type: none"> <li>• <b>EP52X:</b> None</li> <li>• <b>EP52AX:</b> Wide angle, mechanical, 20 ft. (6m) cord with Piggy-Back plug</li> <li>• <b>EP52VFX:</b> Vertical float, PVC, snap action, 20 ft (6m) cord with Piggy-Back plug</li> </ul>
<b>MINIMUM SUMP DIA:</b>	<ul style="list-style-type: none"> <li>• <b>EP52AX:</b> 18" (457mm)</li> <li>• <b>EP52X &amp; EP52VXF:</b> 12" (305mm)</li> </ul>



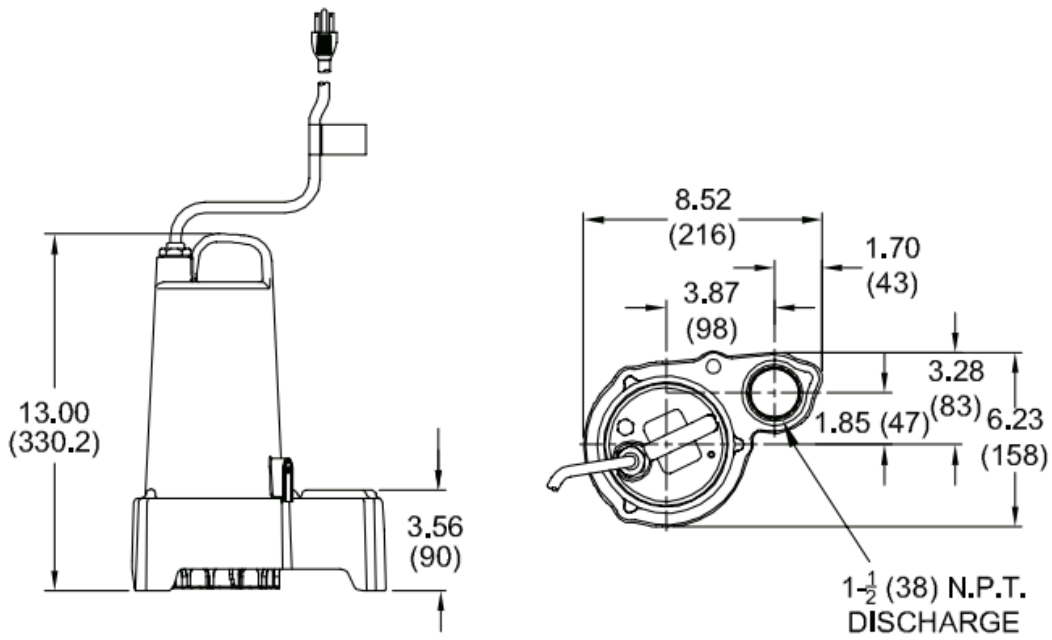
MODEL NUMBER	EP52X	EP52AX	EP52VFX
PART NUMBER	119330	119411	119412
HP	1/2	1/2	1/2
VOLTAGE/PHASE	240/1	240/1	240/1
HZ	60	60	60
RPM (NOMINAL)	3450	3450	3450
NEMA START CODE	D	D	D
FULL LOAD AMPS	3.4	3.4	3.4
CORD LENGTH	20 FT. (6M)	20 FT. (6M)	20 FT. (6M)
CORD SIZE	16/3	16/3	16/3
CORD TYPE	SJTOW / SJTW	SJTOW / SJTW	SJTOW / SJTW
WEIGHT (LBS)	35	35	35



**IMPORTANT**

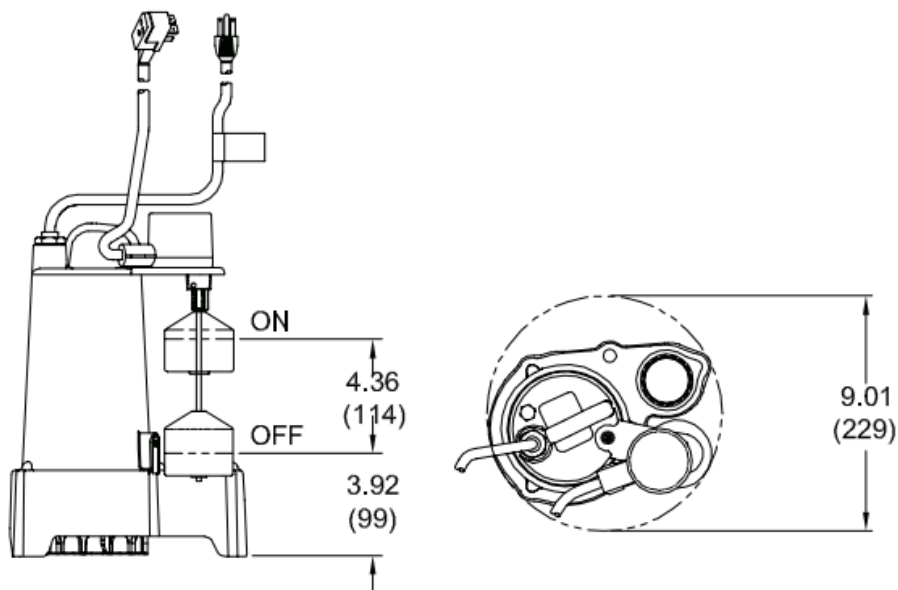
- 1.) PUMP MAY BE OPERATED "DRY" FOR EXTENDED PERIODS WITHOUT DAMAGE TO MOTOR AND/OR SEALS.
- 2.) INSTALLATIONS SUCH AS DECORATIVE FOUNTAINS OR WATER FEATURES PROVIDED FOR VISUAL ENJOYMENT MUST BE INSTALLED IN ACCORDANCE WITH THE NATIONAL ELECTRIC CODE ANSI/NFPA 70 AND/OR THE AUTHORITY HAVING JURISDICTION. THIS PUMP IS NOT INTENDED FOR USE IN SWIMMING POOLS, RECREATIONAL WATER PARKS, OR INSTALLATIONS IN WHICH HUMAN CONTACT WITH PUMPED MEDIA IS A COMMON OCCURRENCE.

**EP52X**

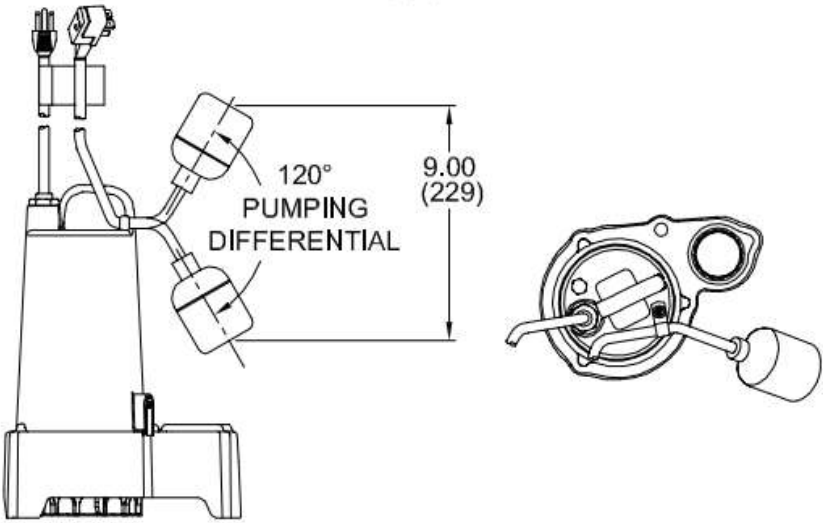


 All dimensions are in inches (mm)

**EP52VFX**



EP52AX



All dimensions are in inches (mm)