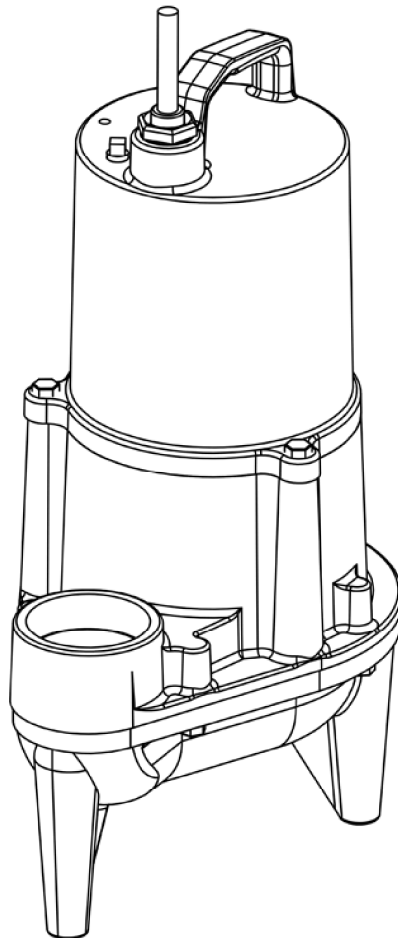
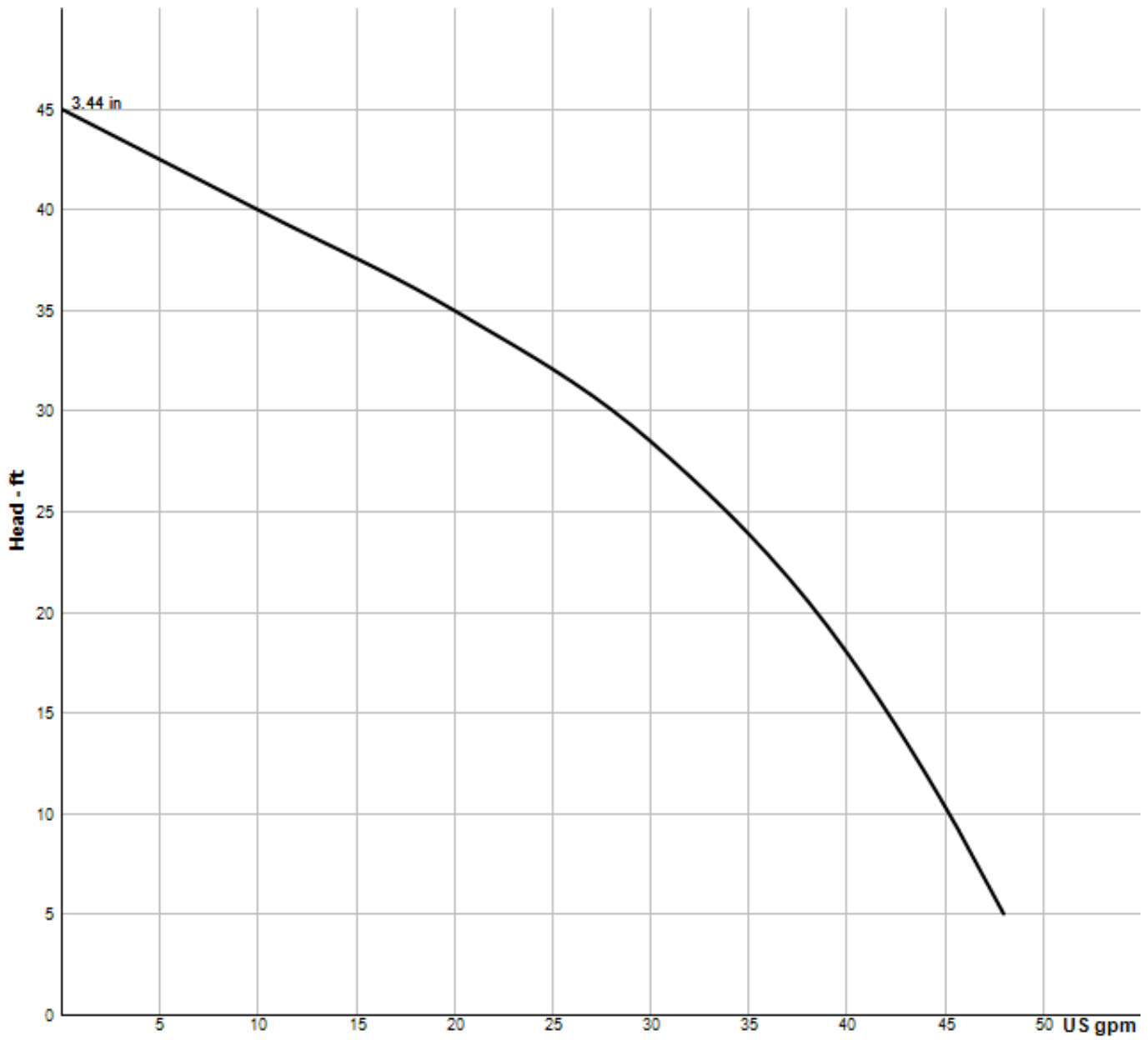


EHV412 – .5HP

3/4" Spherical Solids Handling - Manual & Automatic



CORD ENTRY:	20 ft. (6m) Cord with plug and pressure grommet for sealing and strain relief
DISCHARGE:	2" NPT, Female, vertical
LIQUID TEMPERATURE:	104°F (40°C) Continuous
VOLUTE:	Cast iron ASTM A-48, class 30
MOTOR HOUSING:	Cast iron ASTM A-48, class 30
SEAL PLATE:	Cast iron ASTM A-48, class 30
IMPELLER:	<ul style="list-style-type: none"> • Design: Single mechanical • Material: Carbon/Ceramic/Buna-N • Hardware: 300 Series stainless
SHAFT:	416 Stainless steel
SQUARE RINGS:	Buna-N
HARDWARE:	300 Series Stainless Steel
PAINT:	Air Dry Enamel
SEAL:	<ul style="list-style-type: none"> • Design: Single mechanical, oil filled reservoir • Material: Carbon/ceramic/Buna-N • Hardware: 300 Series stainless
UPPER BEARING:	Single Row, Ball, Oil lubricated
LOWER BEARING:	Single Row, Ball, Oil lubricated
MOTOR:	<ul style="list-style-type: none"> • Design: Oil Filled • Insulation: Class B
SINGLE PHASE:	Permanent Split Capacitor (PSC)
THREE PHASE:	200-240/480 is Tri-voltage. 600V. Requires overload protection to be included in control panel
LEVEL CONTROL:	<ul style="list-style-type: none"> • EHV412: None • EHV412A: Wide angle, mechanical, 20 ft (6m) cord pipe mounted • EHV412VF: Vertical float, PVC, snap action • EHV412AT: Wide angle, mechanical, 20 ft (6m) cord pump mounted



Pump HP	Impeller Dia mm (in.)
.5	87 (3.44)

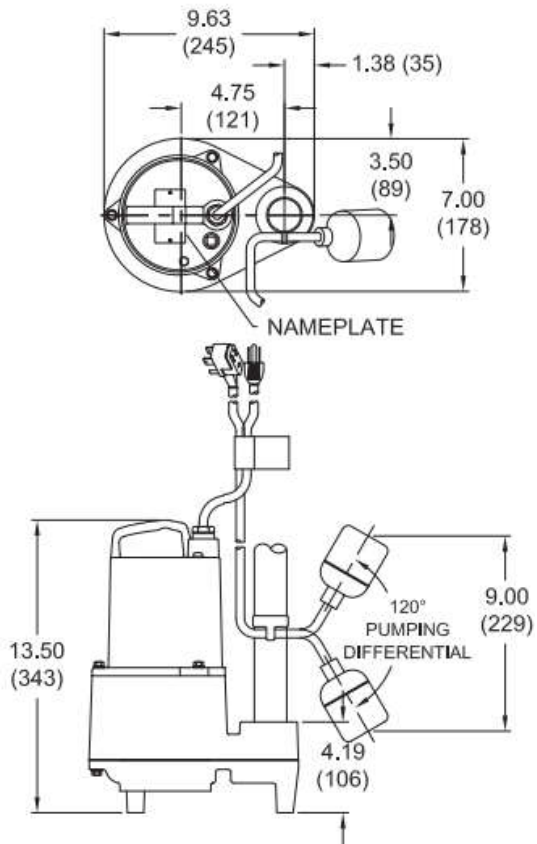
PUMP MODEL NUMBER	EHV412	EHV412A	EHV412VF	EHV412AT	EHV412
PART NUMBER	101298	103542	101300	103543	101298G
HP	0.5	0.5	0.5	0.5	0.5
VOLTAGE/PHASE	115/1	115/1	115/1	115/1	115/1
HZ	60	60	60	60	60
RPM (NOMINAL)	3450	3450	3450	3450	3450
NEMA START CODE	H	H	H	H	H
FLA	6.4	6.4	6.4	6.4	6.4
LRA	19.6	19.6	19.6	19.6	19.6
CORD LENGTH	20 FT. (6M)	20 FT. (6M)	20 FT. (6M)	20 FT. (6M)	30 FT. (9M)
CORD SIZE	14/3	14/3	14/3	14/3	14/3
CORD TYPE	SJTOW	SJTOW	SJTOW	SJTOW	SJTOW




IMPORTANT

- 1.) PUMP MAY BE OPERATED "DRY" FOR EXTENDED PERIODS WITHOUT DAMAGE TO MOTOR AND/OR SEALS.
- 2.) INSTALLATIONS SUCH AS DECORATIVE FOUNTAINS OR WATER FEATURES PROVIDED FOR VISUAL ENJOYMENT MUST BE INSTALLED IN ACCORDANCE WITH THE NATIONAL ELECTRIC CODE ANSI/NFPA 70 AND/OR THE AUTHORITY HAVING JURISDICTION. THIS PUMP IS NOT INTENDED FOR USE IN SWIMMING POOLS, RECREATIONAL WATER PARKS, OR INSTALLATIONS IN WHICH HUMAN CONTACT WITH PUMPED MEDIA IS A COMMON OCCURRENCE.

EHV412A, EHV412, EHV412AT



 All dimensions are in inches (mm)

EHV412VF