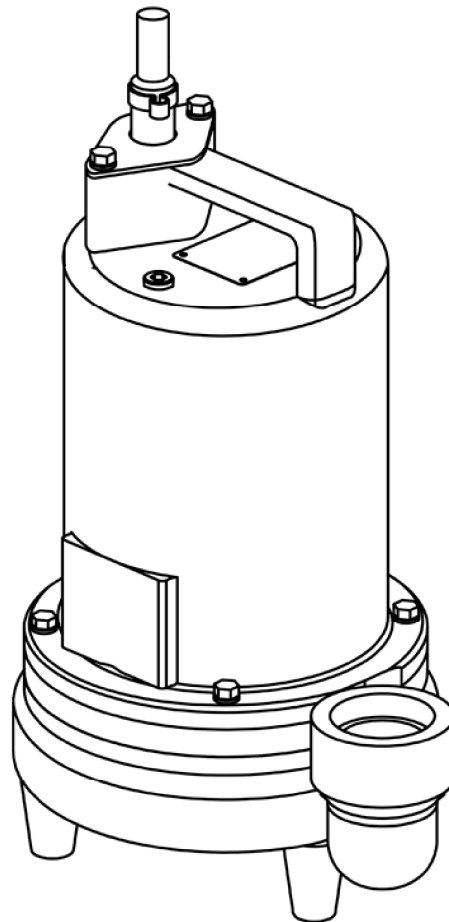


EH-L – 1.5HP

3/4" Spherical Solids Handling - Single Seal

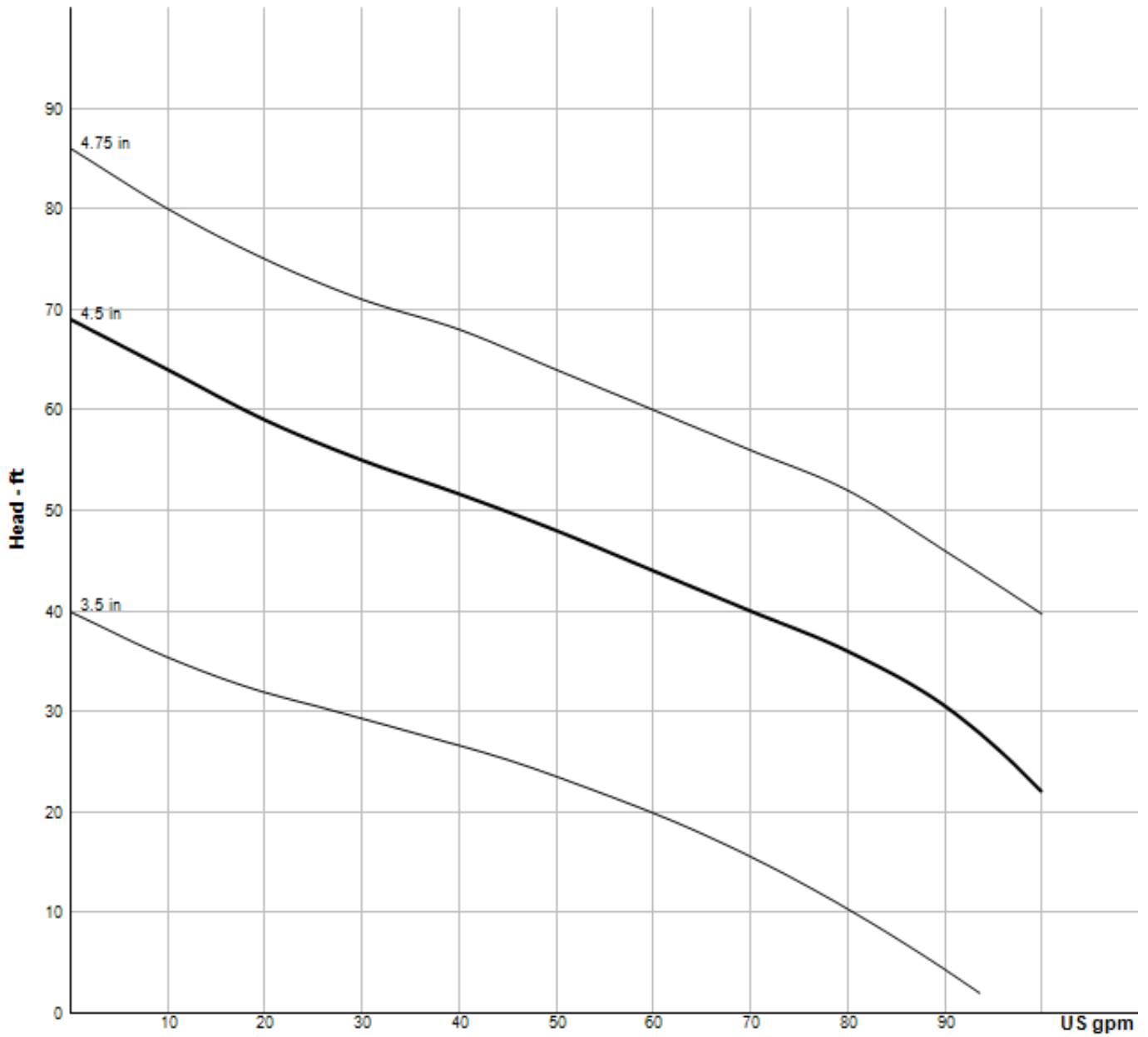


Specifications

LIQUID TEMPERATURE: 104°F (40°C) Continuous

SEAL:	<ul style="list-style-type: none"> • Design: Single mechanical • Material: Carbon/ceramic/Buna-N • Hardware: 300 Series stainless
MOTOR:	<ul style="list-style-type: none"> • Design: NEMA L -Single phase, NEMA B -three phase torque curve, oil filled, squirrel cage induction • Insulation: Class B
DISCHARGE:	2" NPT, Female, vertical
VOLUTE:	Cast iron ASTM A-48, class 30
MOTOR HOUSING:	Cast iron ASTM A-48, class 30
SEAL PLATE:	Cast iron ASTM A-48, class 30
IMPELLER:	<ul style="list-style-type: none"> • Design: 3 Vane, open, with pump out vanes on back side. Dynamically balanced, ISO G6.3 • Material: Polypropylene with stainless steel insert
CORD ENTRY:	20 ft. (6m) Cord with plug on 120 volt & .5HP, 240 volt, 1 phase. Quick connect, custom molded for sealing and strain relief
SHAFT:	416 Stainless steel
SQUARE RINGS:	Buna-N
HARDWARE:	300 Series Stainless Steel
PAINT:	Air Dry Enamel
UPPER BEARING:	Single Row, Ball, Oil lubricated
LOWER BEARING:	Single Row, Ball, Oil lubricated
THREE PHASE:	200-240/480 is Tri-voltage. 600V. Requires overload protection to be included in control panel
SINGLE PHASE:	Permanent Split Capacitor (PSC) Includes overload protection in motor

Curves



Pump HP	Impeller Dia mm (in.)
1.5	121 (4.75)
1	114 (4.50)
.5	99 (3.88)

Model Information

PUMP MODEL NUMBER	EH1522L	EH1592L	EH1542L	EH1552L
PART NUMBER	105076	105077	105078	105079
HP	1.5	1.5	1.5	1.5
VOLTAGE/PHASE	240/1	200/240/3	480/3	600/3
HZ	60	60	60	60
RPM (NOMINAL)	3450	3450	3450	3450
NEMA START CODE	E	H/F	K	K
FLA	10.9	7.8/7.0	3.5	2.7
LRA	30.6	29.2/18.7	14.6	11.6
CORD SIZE	14/3	14/4	14/4	14/4
CORD TYPE	SOW	SOW	SOW	SOW
CORD O.D INCH (MM)	0.530 (13.5)	0.570 (14.5)	0.570 (14.5)	0.570 (14.5)



IMPORTANT

- 1.) PUMP MAY BE OPERATED "DRY" FOR EXTENDED PERIODS WITHOUT DAMAGE TO MOTOR AND/OR SEALS.
- 2.) INSTALLATIONS SUCH AS DECORATIVE FOUNTAINS OR WATER FEATURES PROVIDED FOR VISUAL ENJOYMENT MUST BE INSTALLED IN ACCORDANCE WITH THE NATIONAL ELECTRIC CODE ANSI/NFPA 70 AND/OR THE AUTHORITY HAVING JURISDICTION. THIS PUMP IS NOT INTENDED FOR USE IN SWIMMING POOLS, RECREATIONAL WATER PARKS, OR INSTALLATIONS IN WHICH HUMAN CONTACT WITH PUMPED MEDIA IS A COMMON OCCURRENCE.