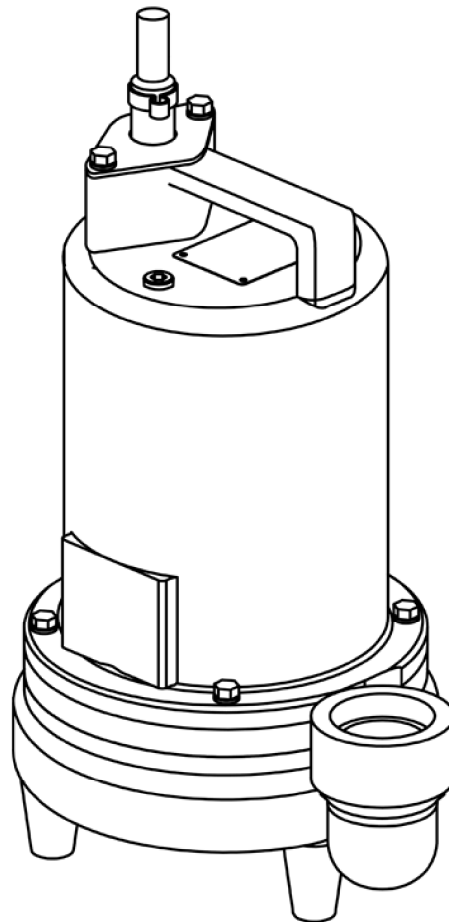


EH-HT – .5HP

3/4" Spherical Solids Handling - High Temperature, Single Seal

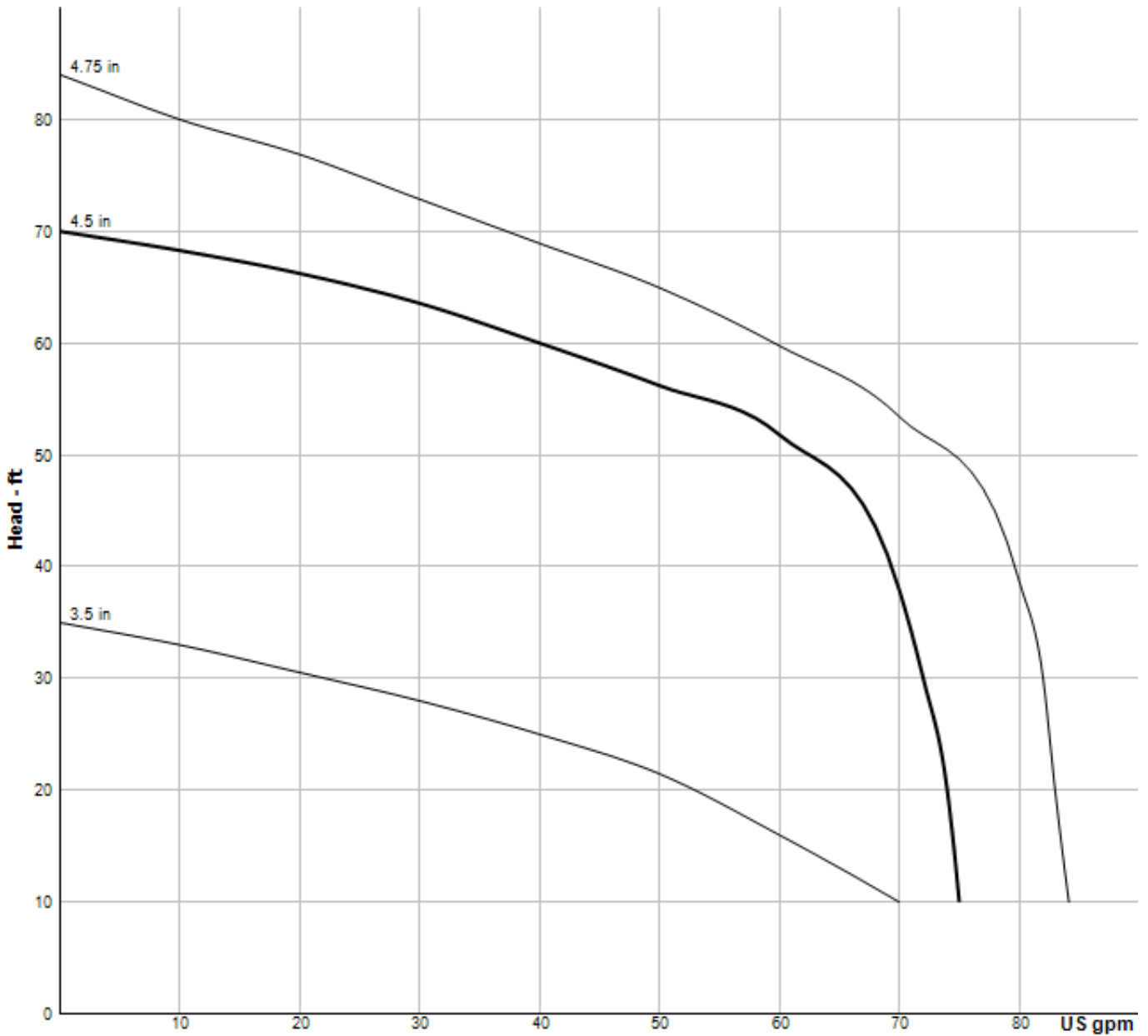


Specifications

LIQUID TEMPERATURE: 200°F (93°C) Continuous

| | |
|-----------------------|---|
| SEAL: | <ul style="list-style-type: none"> • Design: Single mechanical • Material: Carbon/ceramic/Buna-N • Hardware: 300 Series stainless |
| MOTOR: | <ul style="list-style-type: none"> • Design: NEMA L -Single phase, NEMA B -three phase torque curve, oil filled, squirrel cage induction • Insulation: Class f |
| DISCHARGE: | 2" NPT, Female, vertical |
| VOLUTE: | Cast iron ASTM A-48, class 30 |
| MOTOR HOUSING: | Cast iron ASTM A-48, class 30 |
| SEAL PLATE: | Cast iron ASTM A-48, class 30 |
| IMPELLER: | <ul style="list-style-type: none"> • Design: 3 Vane, open, with pump out vanes on back side. Dynamically balanced, ISO G6.3 • Material: Cast Iron ASTM A-48, Class 30 |
| CORD ENTRY: | 20 ft. (6m) Cord with plug on 120 volt & .5HP, 240 volt, 1 phase. Quick connect, custom molded for sealing and strain relief |
| SHAFT: | 416 Stainless steel |
| SQUARE RINGS: | Buna-N |
| HARDWARE: | 300 Series Stainless Steel |
| PAINT: | Air Dry Enamel |
| UPPER BEARING: | Single Row, Ball, Oil lubricated |
| LOWER BEARING: | Single Row, Ball, Oil lubricated |
| THREE PHASE: | 200-240/480 is Tri-voltage. 600V. Requires overload protection to be included in control panel |
| SINGLE PHASE: | <ul style="list-style-type: none"> • .5HP 120 Volt: Capacitor start, includes overload protection in motor • .5HP 240 Volt: Capacitor start, induction run Includes overload protection in motor • 1.5HP: Permanent split capacitor (PSC) includes overload protection in motor |

Curves



| Pump HP | Impeller Dia mm (in.) |
|---------------|-----------------------|
| 1.5 – 3 Phase | 121 (4.75) |
| 1.5 – 1 Phase | 114 (4.50) |
| .5 | 89 (3.50) |

Model Information

| PUMP MODEL NUMBER | EH512HT | EH522HT |
|---------------------------|----------------|----------------|
| PART NUMBER | 105084 | 105085 |
| HP | 0.5 | 0.5 |
| VOLTAGE/PHASE | 120/1 | 240/1 |
| HZ | 60 | 60 |
| RPM (NOMINAL) | 3450 | 3450 |
| NEMA START CODE | M | K |
| FLA | 11.5 | 5.3 |
| LRA | 34.0 | 18.5 |
| CORD SIZE | 14/3 | 14/3 |
| CORD TYPE | SOW | SOW |
| CORD O.D INCH (MM) | 0.530 (13.5) | 0.530 (13.5) |



IMPORTANT

- 1.) PUMP MAY BE OPERATED "DRY" FOR EXTENDED PERIODS WITHOUT DAMAGE TO MOTOR AND/OR SEALS.
- 2.) INSTALLATIONS SUCH AS DECORATIVE FOUNTAINS OR WATER FEATURES PROVIDED FOR VISUAL ENJOYMENT MUST BE INSTALLED IN ACCORDANCE WITH THE NATIONAL ELECTRIC CODE ANSI/NFPA 70 AND/OR THE AUTHORITY HAVING JURISDICTION. THIS PUMP IS NOT INTENDED FOR USE IN SWIMMING POOLS, RECREATIONAL WATER PARKS, OR INSTALLATIONS IN WHICH HUMAN CONTACT WITH PUMPED MEDIA IS A COMMON OCCURRENCE.
- 3.) MUST USE A HIGH TEMPERATURE WIDE ANGLE LEVEL CONTROL IN HIGH TEMPERATURE APPLICATIONS.