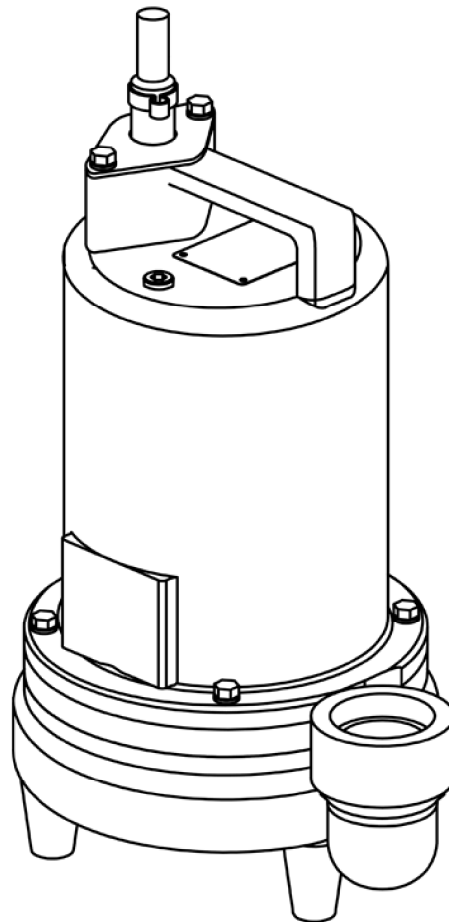


EH-HT – 1.5HP

3/4" Spherical Solids Handling - High Temperature, Single Seal

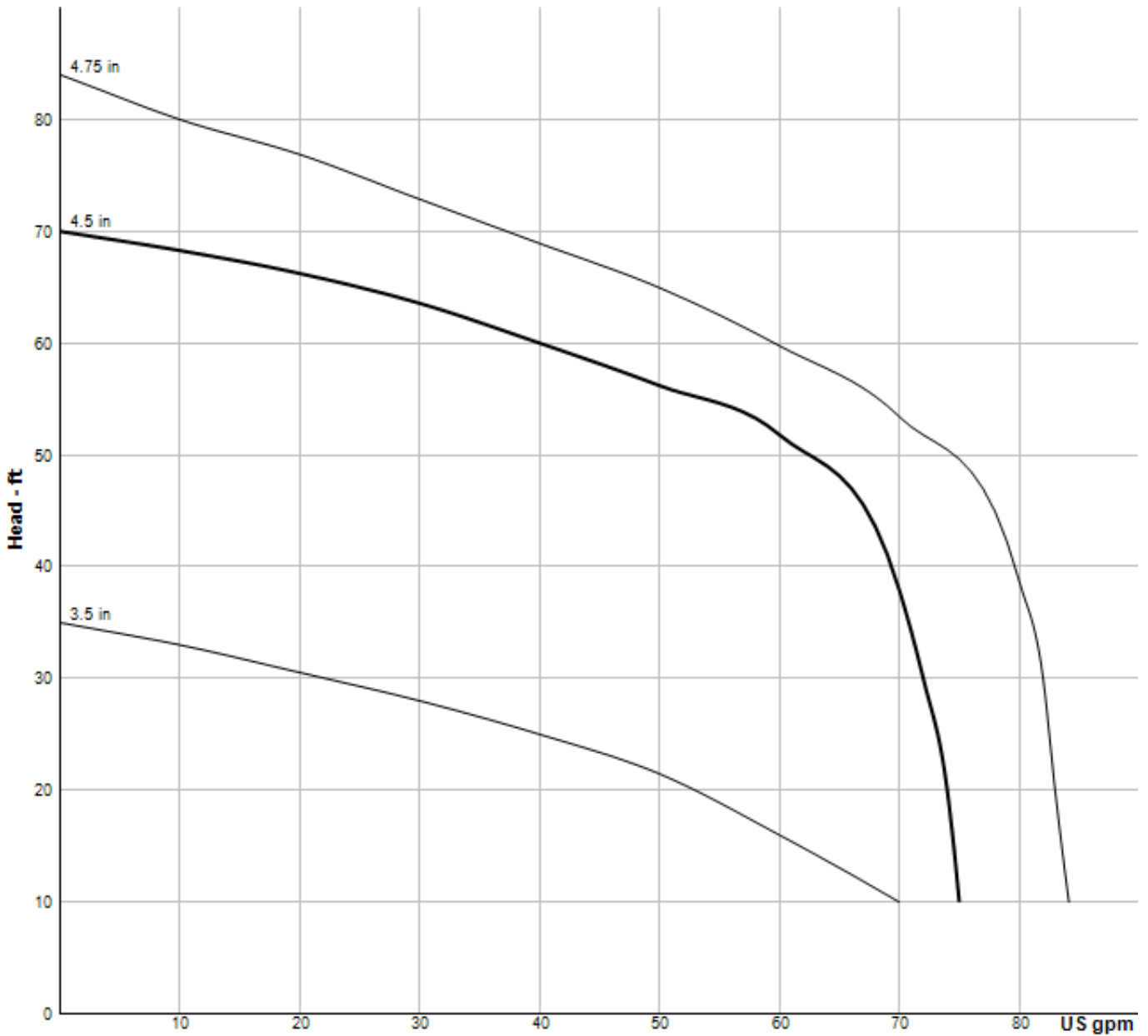


Specifications

LIQUID TEMPERATURE: 200°F (93°C) Continuous

SEAL:	<ul style="list-style-type: none"> • Design: Single mechanical • Material: Carbon/ceramic/Buna-N • Hardware: 300 Series stainless
MOTOR:	<ul style="list-style-type: none"> • Design: NEMA L -Single phase, NEMA B -three phase torque curve, oil filled, squirrel cage induction • Insulation: Class f
DISCHARGE:	2" NPT, Female, vertical
VOLUTE:	Cast iron ASTM A-48, class 30
MOTOR HOUSING:	Cast iron ASTM A-48, class 30
SEAL PLATE:	Cast iron ASTM A-48, class 30
IMPELLER:	<ul style="list-style-type: none"> • Design: 3 Vane, open, with pump out vanes on back side. Dynamically balanced, ISO G6.3 • Material: Cast Iron ASTM A-48, Class 30
CORD ENTRY:	20 ft. (6m) Cord with plug on 120 volt & .5HP, 240 volt, 1 phase. Quick connect, custom molded for sealing and strain relief
SHAFT:	416 Stainless steel
SQUARE RINGS:	Buna-N
HARDWARE:	300 Series Stainless Steel
PAINT:	Air Dry Enamel
UPPER BEARING:	Single Row, Ball, Oil lubricated
LOWER BEARING:	Single Row, Ball, Oil lubricated
THREE PHASE:	200-240/480 is Tri-voltage. 600V. Requires overload protection to be included in control panel
SINGLE PHASE:	<ul style="list-style-type: none"> • .5HP 120 Volt: Capacitor start, includes overload protection in motor • .5HP 240 Volt: Capacitor start, induction run Includes overload protection in motor • 1.5HP: Permanent split capacitor (PSC) includes overload protection in motor

Curves



Pump HP	Impeller Dia mm (in.)
1.5 – 3 Phase	121 (4.75)
1.5 – 1 Phase	114 (4.50)
.5	89 (3.50)

Model Information

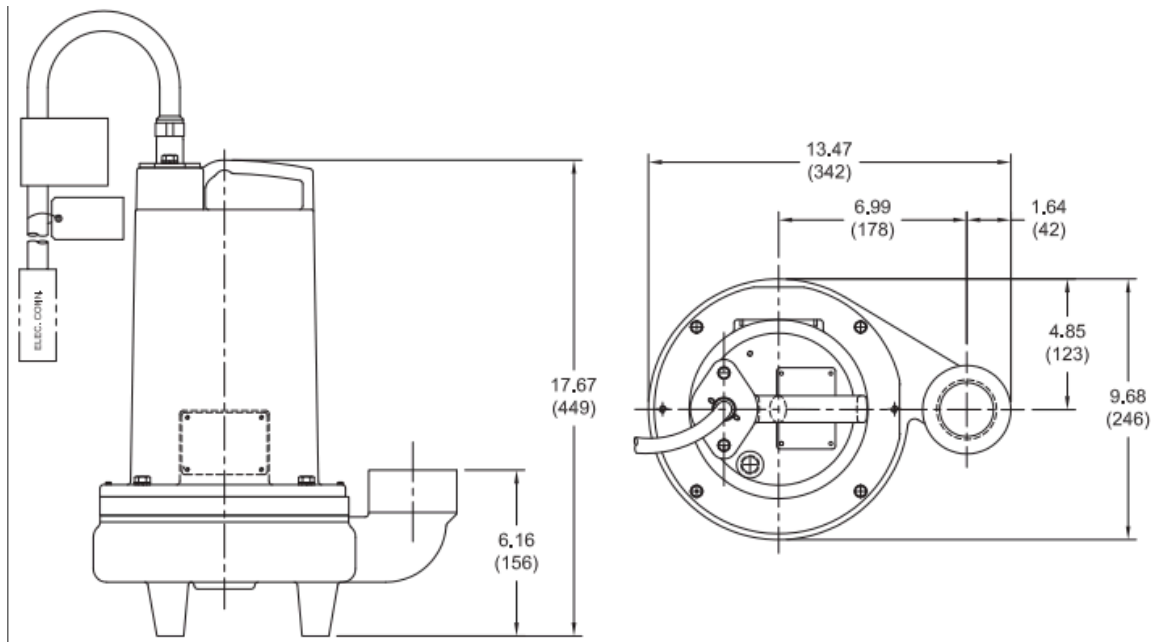
PUMP MODEL NUMBER	EH1522HT	EH1592HT	EH1542HT
PART NUMBER	105093	105094	105095
HP	1.5	1.5	1.5
VOLTAGE/PHASE	240/1	200/240/3	480/3
HZ	60	60	60
RPM (NOMINAL)	3450	3450	3450
NEMA START CODE	E	H/F	K
FLA	9	7.8/7.0	3.5
LRA	30.6	29.2/18.7	14.6
CORD SIZE	14/3	14/4	14/4
CORD TYPE	SOW	SOW	SOW
CORD O.D INCH (MM)	0.530 (13.5)	0.570 (14.5)	0.570 (14.5)




IMPORTANT

- 1.) PUMP MAY BE OPERATED "DRY" FOR EXTENDED PERIODS WITHOUT DAMAGE TO MOTOR AND/OR SEALS.
- 2.) INSTALLATIONS SUCH AS DECORATIVE FOUNTAINS OR WATER FEATURES PROVIDED FOR VISUAL ENJOYMENT MUST BE INSTALLED IN ACCORDANCE WITH THE NATIONAL ELECTRIC CODE ANSI/NFPA 70 AND/OR THE AUTHORITY HAVING JURISDICTION. THIS PUMP IS NOT INTENDED FOR USE IN SWIMMING POOLS, RECREATIONAL WATER PARKS, OR INSTALLATIONS IN WHICH HUMAN CONTACT WITH PUMPED MEDIA IS A COMMON OCCURRENCE.
- 3.) MUST USE A HIGH TEMPERATURE WIDE ANGLE LEVEL CONTROL IN HIGH TEMPERATURE APPLICATIONS.

Drawings



 All dimensions are in inches (mm)