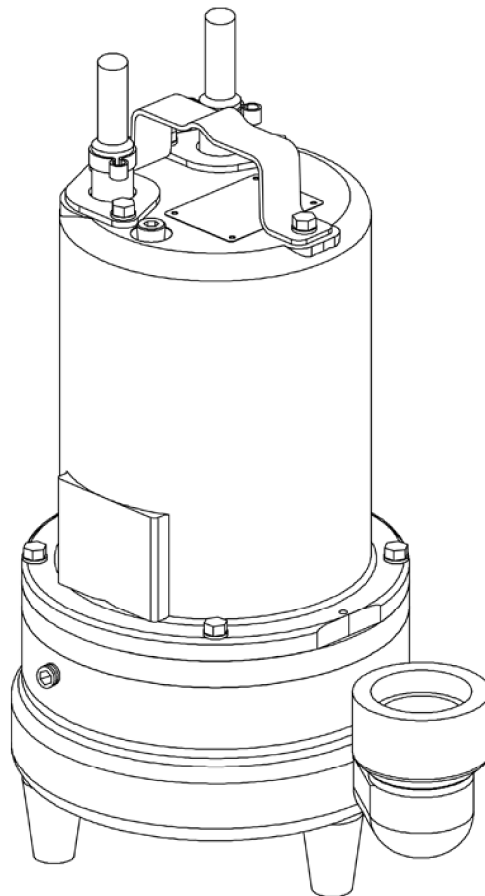


# **EH-DS – 1.5HP**

**3/4" Spherical Solids Handling - Double Seal**

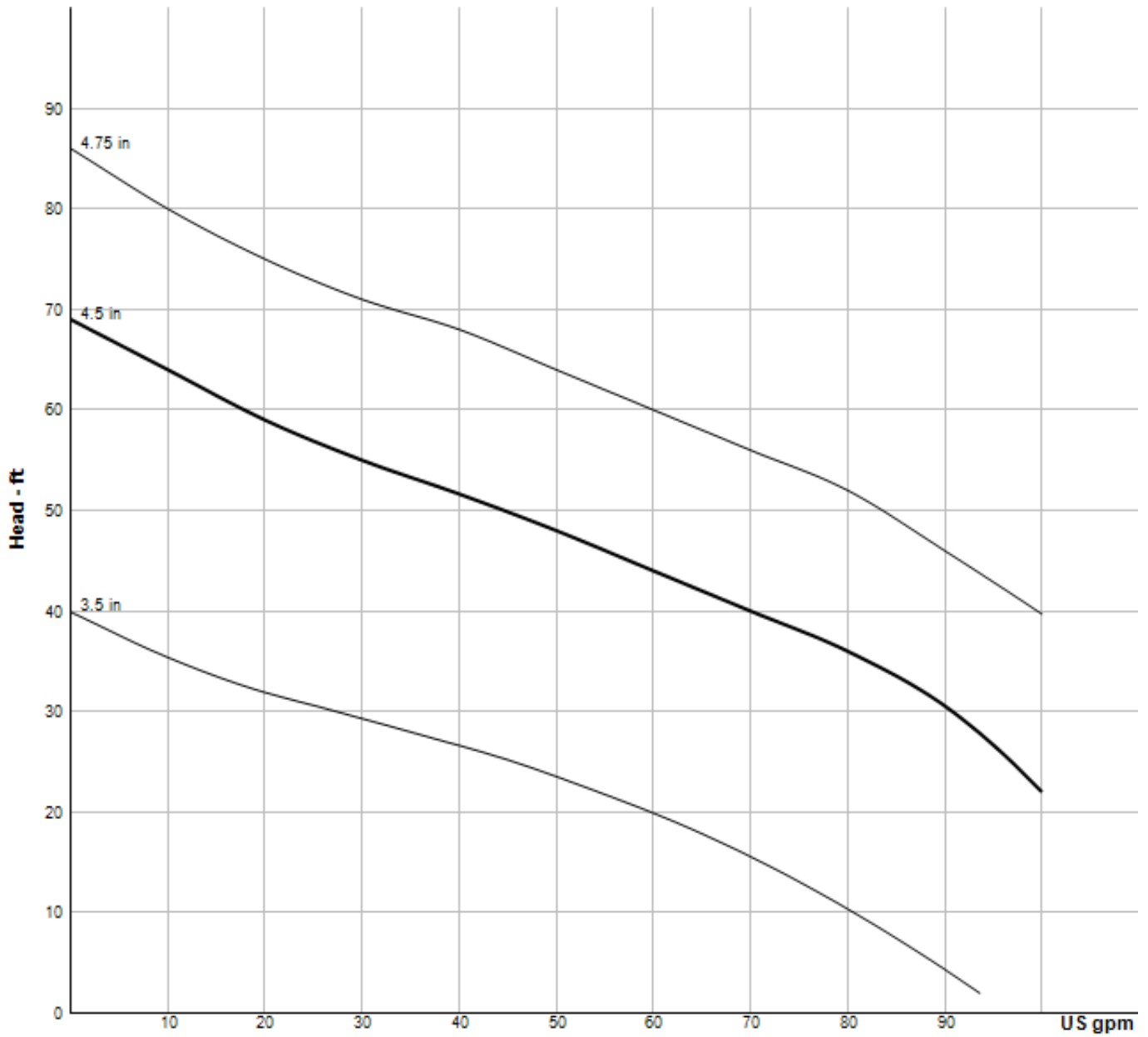


## Specifications

**LIQUID TEMPERATURE:** 104°F (40°C) Continuous

<b>SEAL:</b>	<ul style="list-style-type: none"> <li>• <b>Design:</b> Tandem mechanical, oil filled reservoir</li> <li>• <b>Material:</b> Carbon/ceramic/Buna-N</li> <li>• <b>Hardware:</b> 300 Series stainless</li> </ul>
<b>MOTOR:</b>	<ul style="list-style-type: none"> <li>• <b>Design:</b> NEMA L -Single phase, NEMA B -three phase torque curve, oil filled, squirrel cage induction</li> <li>• <b>Insulation:</b> Class B</li> </ul>
<b>DISCHARGE:</b>	2" NPT, Female, vertical
<b>VOLUTE:</b>	Cast iron ASTM A-48, class 30
<b>MOTOR HOUSING:</b>	Cast iron ASTM A-48, class 30
<b>SEAL PLATE:</b>	Cast iron ASTM A-48, class 30
<b>IMPELLER:</b>	<ul style="list-style-type: none"> <li>• <b>Design:</b> 3 Vane, open, with pump out vanes on back side. Dynamically balanced, ISO G6.3</li> <li>• <b>Material:</b> Polypropylene with stainless steel insert</li> </ul>
<b>CORD ENTRY:</b>	20 ft. (6m) Cord with plug on 120 volt & .5HP, 240 volt, 1 phase. Quick connect, custom molded for sealing and strain relief
<b>SHAFT:</b>	416 Stainless steel
<b>SQUARE RINGS:</b>	Buna-N
<b>HARDWARE:</b>	300 Series Stainless Steel
<b>PAINT:</b>	Air Dry Enamel
<b>UPPER BEARING:</b>	Single Row, Ball, Oil lubricated
<b>LOWER BEARING:</b>	Single Row, Ball, Oil lubricated
<b>THREE PHASE:</b>	200-240/480 is Tri-voltage. 600V. Requires overload protection to be included in control panel
<b>SINGLE PHASE:</b>	Permanent Split Capacitor (PSC) Includes overload protection in motor

Curves



Pump HP	Impeller Dia mm (in.)
1.5	121 (4.75)
1	114 (4.50)
.5	99 (3.88)

**Model Information**

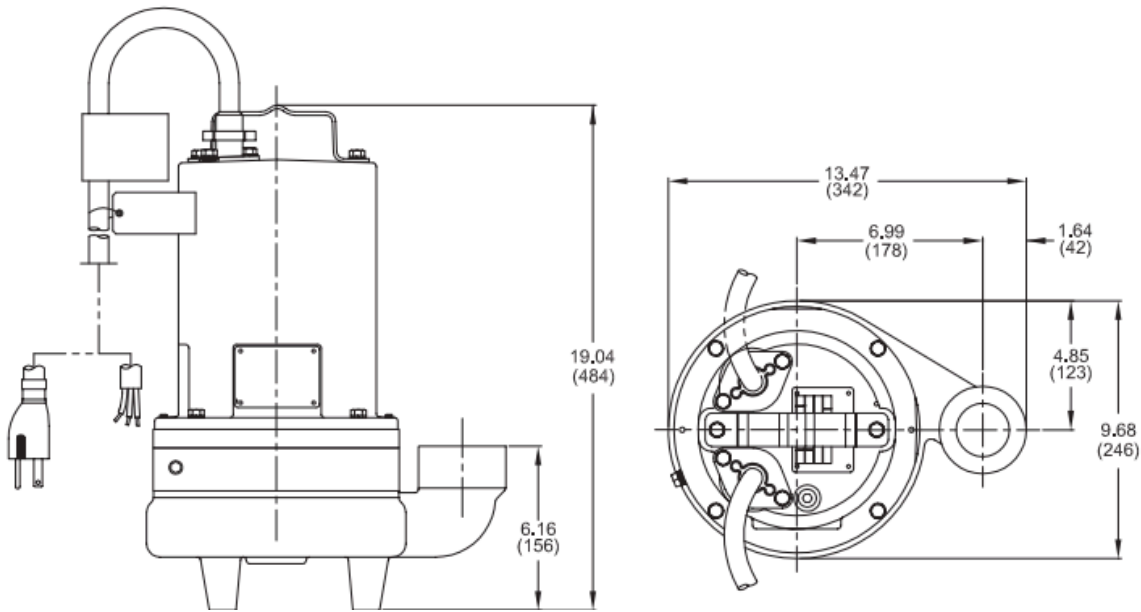
<b>PUMP MODEL NUMBER</b>	<b>EH1522DS</b>	<b>EH1592DS</b>	<b>EH1542DS</b>	<b>EH1552DS</b>
<b>PART NUMBER</b>	105080	105081	105082	105083
<b>HP</b>	1.5	1.5	1.5	1.5
<b>VOLTAGE/PHASE</b>	240/1	200/240/3	480/3	600/3
<b>HZ</b>	60	60	60	60
<b>RPM (NOMINAL)</b>	3450	3450	3450	3450
<b>NEMA START CODE</b>	E	H/F	K	K
<b>FLA</b>	10.9	7.8/7.0	3.5	2.7
<b>LRA</b>	30.6	29.2/18.7	14.6	11.6
<b>CORD SIZE</b>	14/3	14/4	14/4	14/4
<b>CORD TYPE</b>	SOW	SOW	SOW	SOW
<b>CORD O.D INCH (MM)</b>	0.530 (13.5)	0.570 (14.5)	0.570 (14.5)	0.570 (14.5)




**IMPORTANT**

- 1.) PUMP MAY BE OPERATED "DRY" FOR EXTENDED PERIODS WITHOUT DAMAGE TO MOTOR AND/OR SEALS.
- 2.) INSTALLATIONS SUCH AS DECORATIVE FOUNTAINS OR WATER FEATURES PROVIDED FOR VISUAL ENJOYMENT MUST BE INSTALLED IN ACCORDANCE WITH THE NATIONAL ELECTRIC CODE ANSI/NFPA 70 AND/OR THE AUTHORITY HAVING JURISDICTION. THIS PUMP IS NOT INTENDED FOR USE IN SWIMMING POOLS, RECREATIONAL WATER PARKS, OR INSTALLATIONS IN WHICH HUMAN CONTACT WITH PUMPED MEDIA IS A COMMON OCCURRENCE.

Drawings



 All dimensions are in inches (mm)