

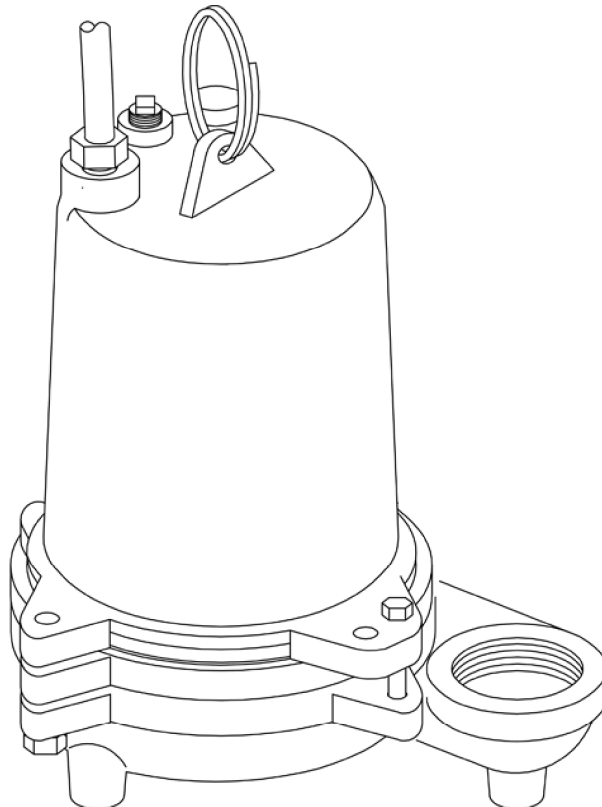
**CRANE**

PUMPS & SYSTEMS

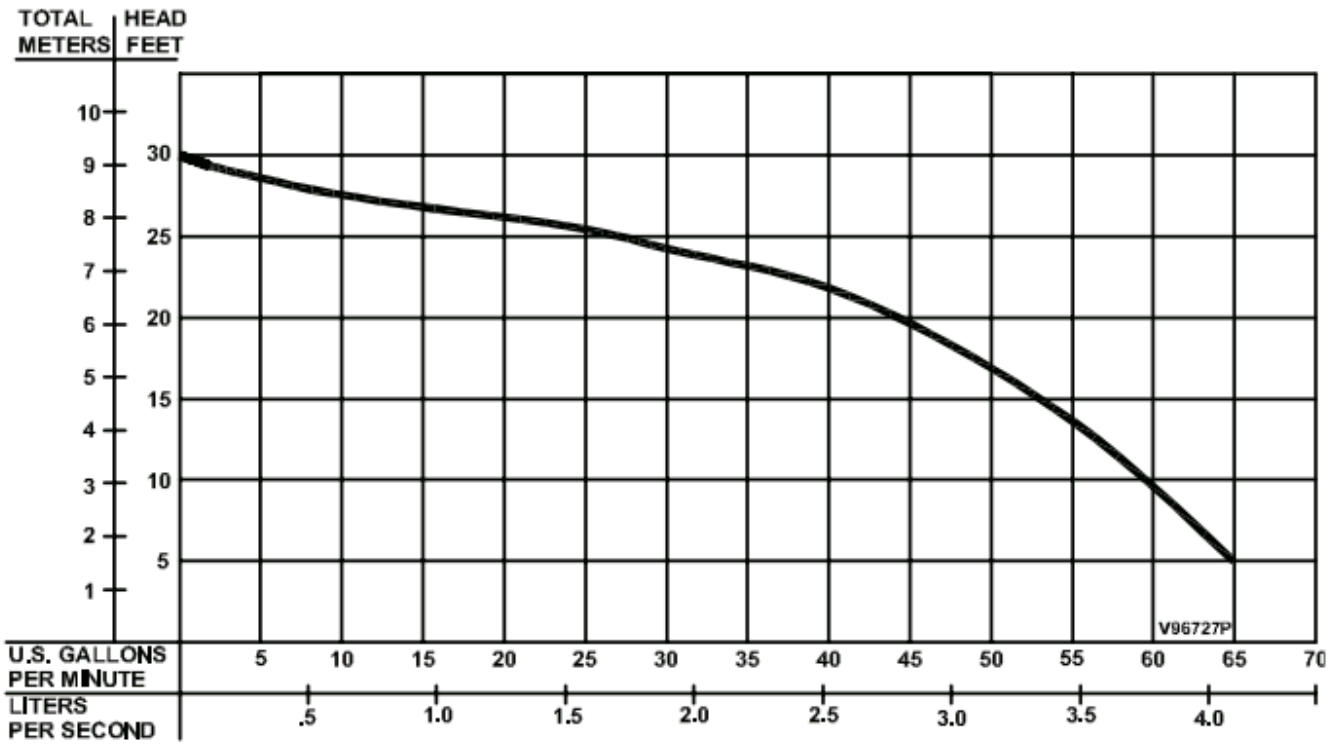
**BARNES**

## BP – 1/3 HP

**3/4" Spherical Solids Handling - Manual & Automatic -  
Submersible**



<b>DISCHARGE:</b>	2" NPT, Female, Vertical
<b>LIQUID TEMPERATURE:</b>	<ul style="list-style-type: none"><li>• <b>BP314:</b> 77°F (25°C) Continuous</li><li>• <b>BP324:</b> 104°F (40°C) Continuous</li></ul>
<b>VOLUTE:</b>	(BP) Cast Iron, (BP-BR) Bronze
<b>MOTOR HOUSING:</b>	(BP) Cast Iron, (BP-BR) Bronze
<b>SEAL PLATE:</b>	(BP) Cast Iron, (BP-BR) Bronze
<b>IMPELLER:</b>	<ul style="list-style-type: none"><li>• <b>Design:</b> 2 Vane open, dynamically balanced, ISO G6.3</li><li>• <b>Material:</b><ul style="list-style-type: none"><li>- <b>(BP):</b> Polypropylene with stainless insert</li><li>- <b>(BP-PR):</b> Bronze 81-3-7-9</li></ul></li></ul>
<b>CORD ENTRY:</b>	15 ft. (4.5m) Quick disconnect cord with plug On 115 volt, pressure grommet for sealing and strain relief
<b>MOTOR:</b>	<ul style="list-style-type: none"><li>• <b>Single Phase:</b> Permanent Split Capacitor (PSC), oil filled. Includes overload protection in motor</li><li>• <b>Insulation:</b> Class B</li></ul>
<b>LEVEL CONTROL:</b>	<ul style="list-style-type: none"><li>• <b>A:</b> Wide angle, PVC, mechanical, 15 ft (5m) cord with Piggy-Back plug, N/O</li><li>• <b>AU:</b> Wide angle, Polypropylene, mechanical, N/O, integral to pump. ON and OFF points are adjustable</li><li>• <b>VF:</b> Vertical float, PVC, snap action, 15 ft (5m) cord, with Piggy-Back plug. OFF point ONLY is adjustable</li></ul>



Testing is performed with water specific gravity of 1.0 @ 68°F (20°C), other fluids may vary performance

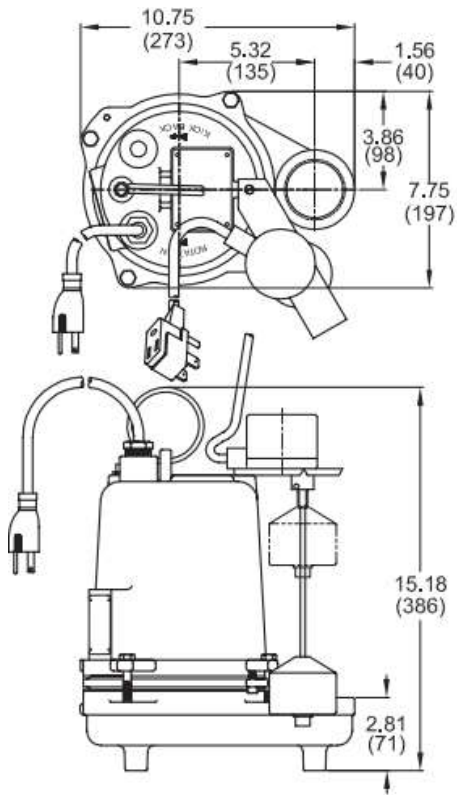
PUMP MODEL NUMBER	BP314	BP314A	BP314AU	BP314VF	BP314BR	BP314ABR	BP314AUBR	BP314VFBR	BP324	BP324AU	BP324BR	BP324AUBR
<b>PART NUMBER</b>	096727	096728	096729	100834	096732	096733	096734	100835	096730	096731	096735	096736
<b>HP</b>	1/3	1/3	1/3	1/3	1/3	1/3	1/3	1/3	1/3	1/3	1/3	1/3
<b>VOLTAGE/PHASE</b>	115/1	115/1	115/1	115/1	115/1	115/1	115/1	115/1	230/1	230/1	230/1	230/1
<b>HZ</b>	60	60	60	60	60	60	60	60	60	60	60	60
<b>RPM (NOMINAL)</b>	1750	1750	1750	1750	1750	1750	1750	1750	1750	1750	1750	1750
<b>NEMA START CODE</b>	A	A	A	A	A	A	A	A	A	A	A	A
<b>FULL LOAD AMPS</b>	8.0	8.0	8.0	8.0	8.0	8.0	8.0	8.0	5.4	5.4	5.4	5.4
<b>LOCKED ROTOR AMPS</b>	19.0	19.0	19.0	19.0	19.0	19.0	19.0	19.0	13.0	13.0	13.0	13.0
<b>CORD SIZE</b>	14/3	14/3	14/3	14/3	14/3	14/3	14/3	14/3	14/3	14/3	14/3	14/3
<b>CORD TYPE</b>	SJTOW	SJTOW	SJTOW	SJTOW	SJTOW	SJTOW	SJTOW	SJTOW	SJTOW	SJTOW	SJTOW	SJTOW
<b>WEIGHT (LBS)</b>	52	53	53	53	52	53	53	53	52	53	53	53



**IMPORTANT**

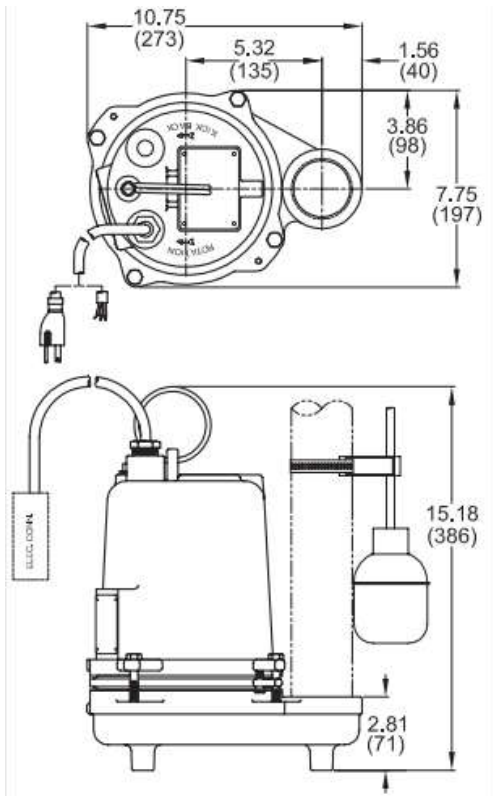
- 1.) PUMP MAY BE OPERATED "DRY" FOR EXTENDED PERIODS WITHOUT DAMAGE TO MOTOR AND/OR SEALS.
- 2.) INSTALLATIONS SUCH AS DECORATIVE FOUNTAINS OR WATER FEATURES PROVIDED FOR VISUAL ENJOYMENT MUST BE INSTALLED IN ACCORDANCE WITH THE NATIONAL ELECTRIC CODE ANS/NFPA 70 AND/OR THE AUTHORITY HAVING JURISDICTION. THIS PUMP IS NOT INTENDED FOR USE IN SWIMMING POOLS, RECREATIONAL WATER PARKS, OR INSTALLATIONS IN WHICH HUMAN CONTACT WITH PUMPED MEDIA IS A COMMON OCCURRENCE.

**BP314VF & BP314VFBR**



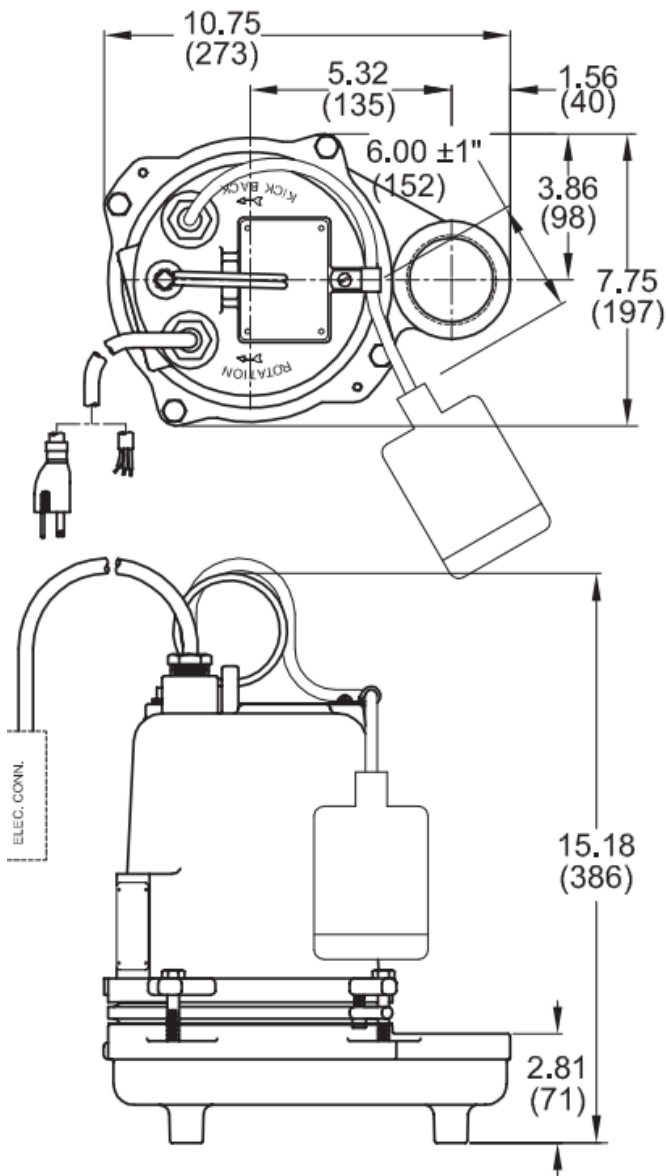
All dimensions are in inches (mm)

**BP314A, BP314ABR, BP314, BP314BR, BP324, BP324BR (Less Float)**



All dimensions are in inches (mm)

**BP314AU, BP314AUBR, BP324AU, BP324AUBR**



All dimensions are in inches (mm)