

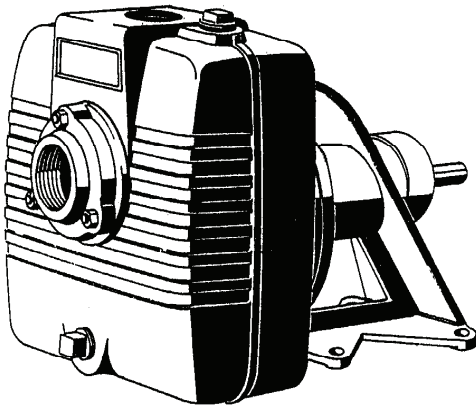
# Series 5CU-1

Pump End  
1½" NPT

# BARNES®

www.cranepumps.com

## Self-Priming Universal/Electric Driven



### Specifications:

**SUCTION/DISCHARGE** ..... 1½" x 1½" NPT, Female  
**LIQUID TEMPERATURE** ..... 160°F (71°C) Continuous  
**INTERMEDIATE** ..... Cast Iron ASTM A-48, Class 30  
**VOLUTE** ..... Cast Iron ASTM A-48, Class 30,  
Removable  
**BODY** ..... Cast Iron ASTM A-48, Class 30  
**PEDESTAL** ..... Cast Iron ASTM A-48, Class 30  
**IMPELLER: Design** ..... Semi-Open, Dynamically Balanced,  
ISO G6.3  
*Material* ..... Cast Iron ASTM A-48, Class 30  
**SHAFT** ..... Stainless Steel  
**SQUARE RINGS** ..... Buna-N  
**HARDWARE** ..... Series Stainless Steel  
**PAINT** ..... Air Dry Enamel.  
**SEAL:** *Design* ..... Mechanical  
*Lubrication* ..... Self-Lubricating  
*Material* ..... Rotating Faces - Carbon  
Stationary Faces - Ceramic  
Elastomer - Buna-N  
Hardware - 300 Series Stainless

#### BEARING - PUMP END:

*Design* ..... Single Row, Ball  
*Lubrication* ..... Grease  
*Load* ..... Radial

#### BEARING - DRIVE END:

*Design* ..... Single Row, Ball  
*Lubrication* ..... Grease  
*Load* ..... Radial

#### CHECK VALVE:

*Material* ..... Valve Flap-Neoprene  
Weight-Cast Iron ASTM A-48, Class 30

**OPTIONAL EQUIPMENT** ..... Seal Material, Flex Coupled Assy. with Base & OSHA Guard; Right Hand V-Belt Drive Assy., Left Hand V-Belt Drive Assy., and In-Line Vertical V-Belt Drive Assy. with Base, Motor Adjusting Base and OSHA Guard.

**Series: 5CU-1**  
MAX SPHERE 5/8"

### DESCRIPTION:

SELF-PRIMING CENTRIFUGAL PUMPS  
DESIGNED FOR MARINE, MUNICIPAL AND  
INDUSTRIAL APPLICATIONS



**WARNING:**  
CANCER AND REPRODUCTIVE HARM -  
WWW.P65WARNINGS.CA.GOV

SECTION 4E  
PAGE 16  
DATE 12/18

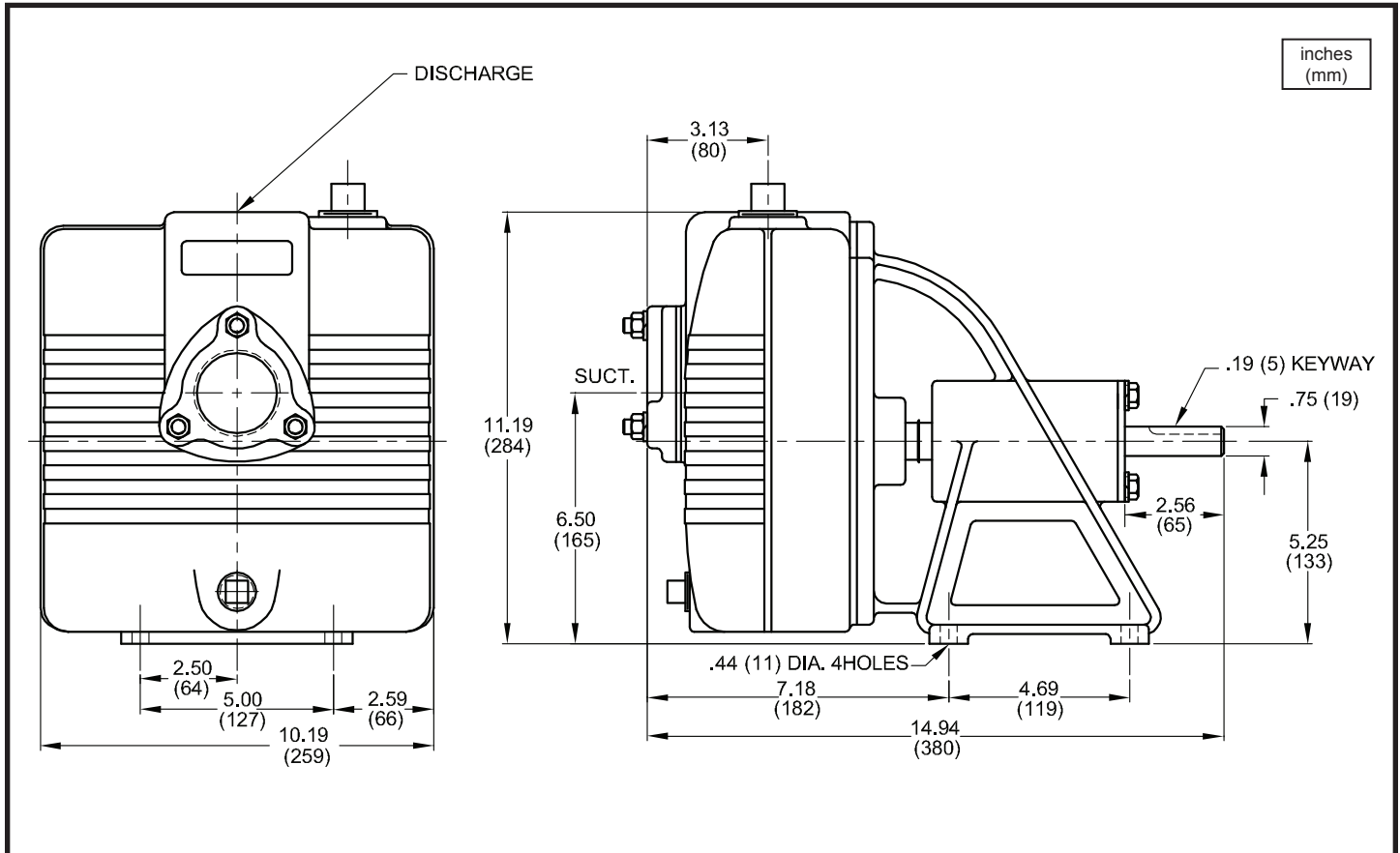
**CRANE**®

A Crane Co. Company

**PUMPS & SYSTEMS**

USA: (937) 778-8947 • Canada: (905) 457-6223 • International: (937) 615-3598

### Self-Priming Universal/Electric Driven



MODEL NO	PART NO	WEIGHT NET LBS (kg)
5CU-1	019130	78 (35.4)

**IMPORTANT !**

- DO NOT USE FOR PUMPING FLUIDS WITH A FLASH POINT OF LESS THAN 100°F.
- MAKE CERTAIN THAT PUMP AND/OR MOTOR ASSEMBLY AND CONTROLS HAVE THE APPROPRIATE RATINGS FOR THE GIVEN APPLICATION AREA CLASSIFICATION. (ie DIVISION I, AGENCY LISTING ETC.)

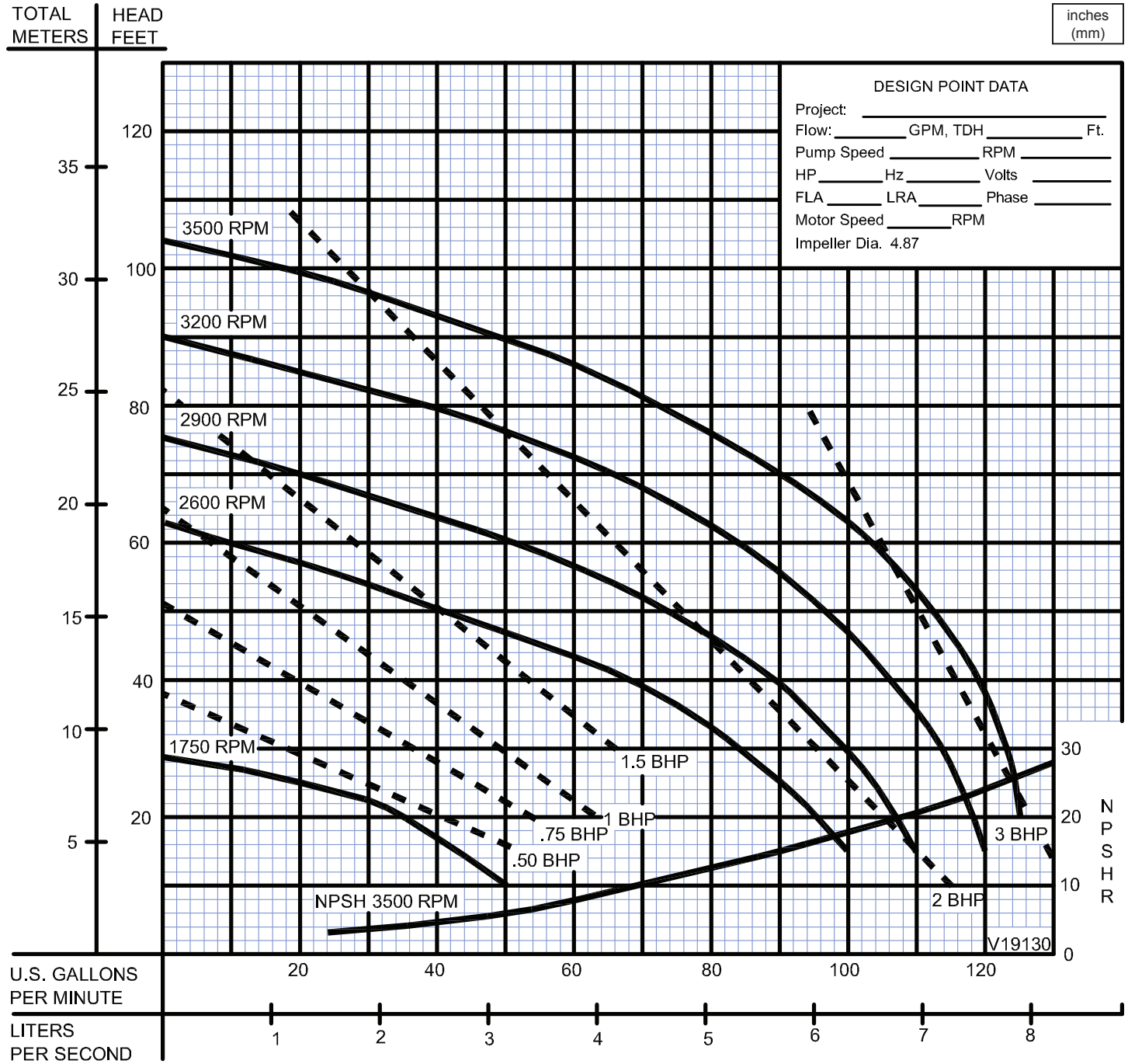
# Series 5CU-1

Performance Curve  
Electric Drive

# BARNES®

www.cranepumps.com

## Self-Priming Universal/Electric Driven



Testing is performed with water, specific gravity 1.0 @ 68° F @ (20°C), other fluids may vary performance

SECTION 4E  
PAGE 18  
DATE 5/05

**CRANE**  
A Crane Co. Company

PUMPS & SYSTEMS

USA: (937) 778-8947 • Canada: (905) 457-6223 • International: (937) 615-3598