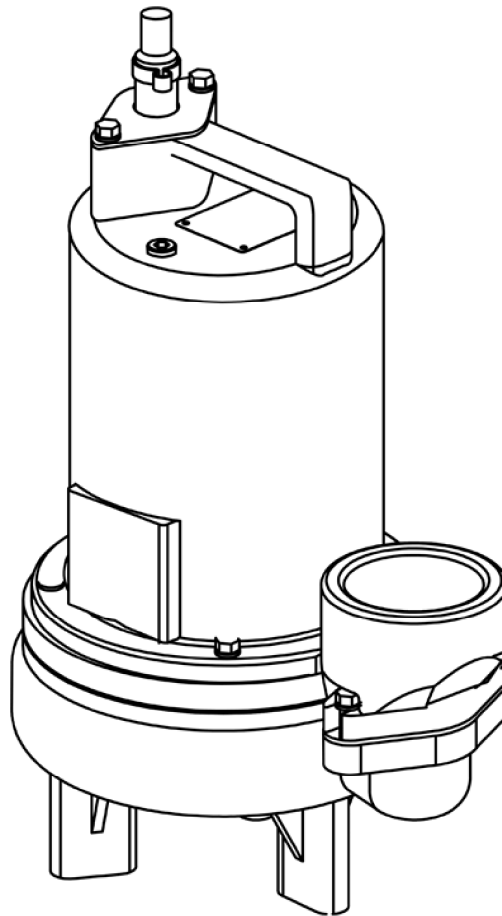


3SE-L – .5 HP

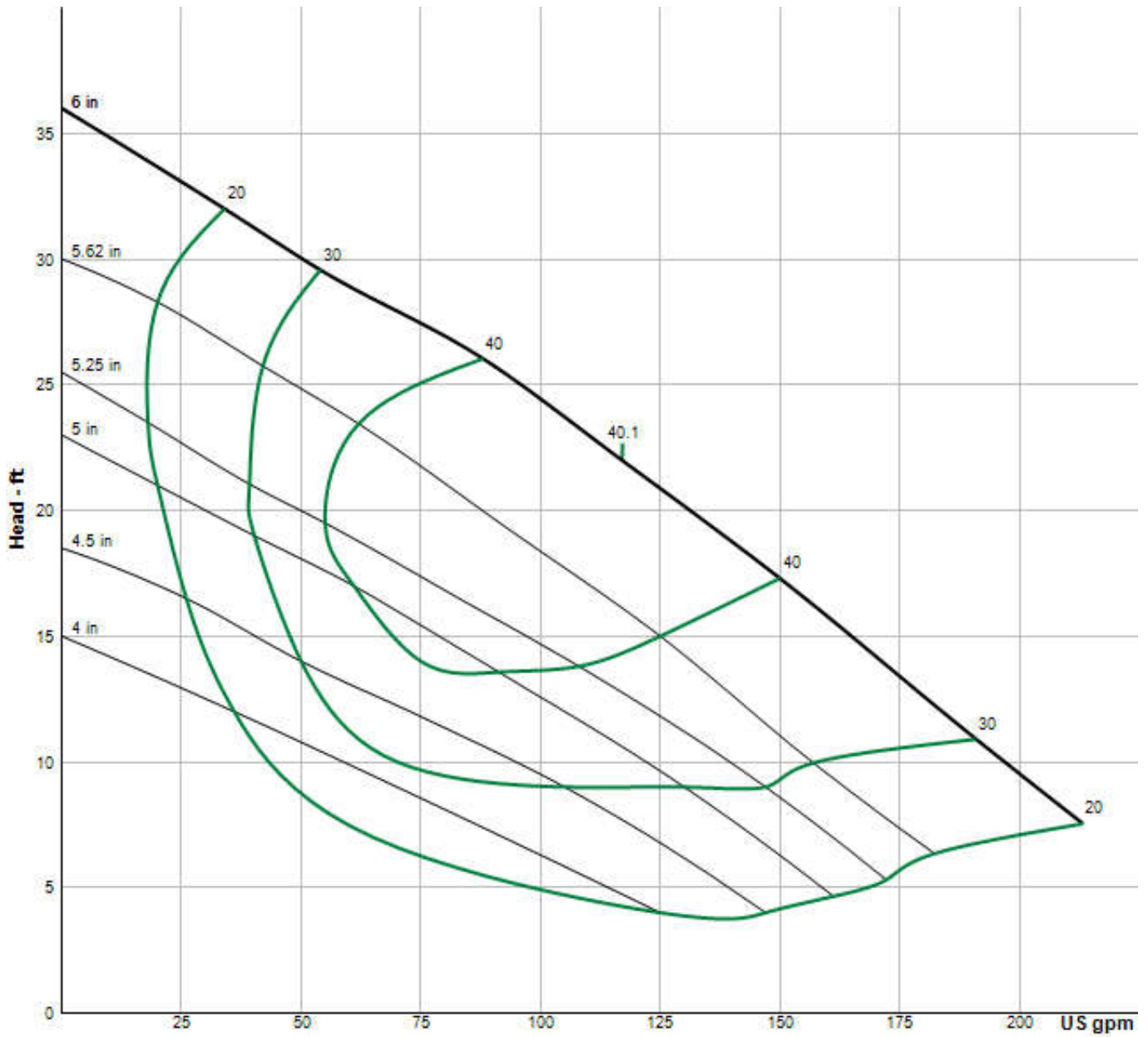
2" Spherical Solids Handling - Single Seal



Specifications

DISCHARGE:	3" NPT, Female, vertical
SPEED:	1750 RPM (Nominal)
LIQUID TEMPERATURE:	104°F (40°C) Continuous
MOTOR HOUSING:	Cast iron ASTM A-48, class 30
IMPELLER:	<ul style="list-style-type: none"> • Design: 2 Vane, open, with pump out vanes on back side. Dynamically balanced, ISO G6.3 • Material: Cast iron ASTM A-48, class 30
CORD ENTRY:	30 ft. (9.1m) Cord. Plug on 120 Volt & .5HP. 240 Volt 1 Phase. Quick connect custom molded for sealing and strain relief
SINGLE PHASE:	Permanent split capacitor (PSC) includes overload protection in motor
THREE PHASE:	200-240/480 is Tri-Voltage. 600V. Requires overload protection to be included in control panel
MOTOR:	<ul style="list-style-type: none"> • Design: NEMA L -single phase, NEMA B -three phase torque curve, oil filled, squirrel cage induction • Insulation: Class B & Class F on selected models
UPPER BEARING:	<ul style="list-style-type: none"> • Design: Single row, ball • Lubrication: Oil • Load: Radial
LOWER BEARING:	<ul style="list-style-type: none"> • Design: Single row, ball • Lubrication: Oil • Load: Radial & thrust
VOLUTE:	Cast iron ASTM A-48, class 30
SHAFT:	416 Stainless steel
SQUARE RINGS:	Buna-N
HARDWARE:	300 Series stainless steel
PAINT:	Air dry enamel
SEAL PLATE	Cast iron ASTM A-48, class 30
SEAL KIT P/N:	130182
SERVICE KIT P/N:	130209

Curves



Pump HP	Impeller Dia mm (in.)
0.5	133 (5.25)
0.75	143 (6.62)
1.00	152 (6.00)

Model Information

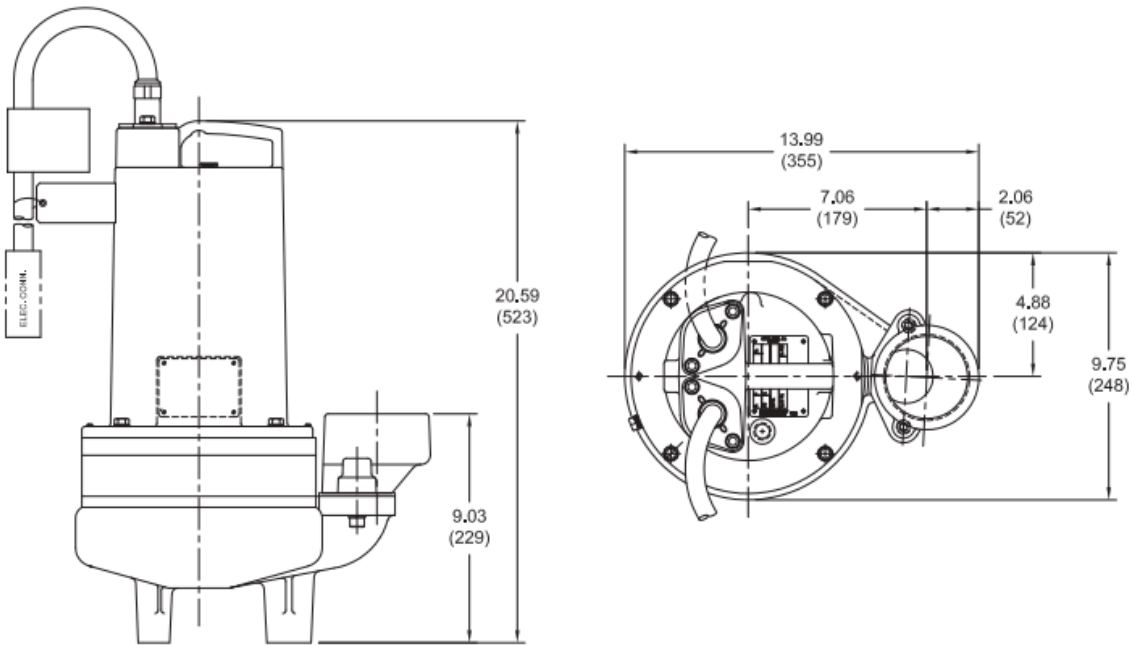
PUMP MODEL NUMBER	3SE514L	3SE524L	3SE594L	3SE544L	3SE554L
PART NUMBER	104892	104893	104894	104895	104896
HP	0.5	0.5	0.5	0.5	0.5
VOLTAGE/PHASE	120/1	240/1	200-240/3	480/3	600/3
HZ	60	60	60	60	60
RPM (NOMINAL)	1750	1750	1750	1750	1750
NEMA START CODE	F	J	H/L	K	H
INSULATION CLASS	B	B	B	B	B
FULL LOAD AMPS	11.6	5.9	3.2/3.0	1.5	1.0
LOCKED ROTOR AMPS	21.3	14.9	9.8/11.0	5.3	3.4
CORD SIZE	14/3	14/3	14/4	14/4	14/4
CORD TYPE	SJTOW	SOW	SOW	SOW	SOW
CORD O.D INCH (MM)	0.375 (9.5)	0.530 (13.5)	0.570 (14.5)	0.570 (14.5)	0.570 (14.5)
WEIGHT (LBS)	85	85	85	85	85



IMPORTANT

- 1.) PUMP MAY BE OPERATED "DRY" FOR EXTENDED PERIODS WITHOUT DAMAGE TO MOTOR AND/OR SEALS.
- 2.) INSTALLATIONS SUCH AS DECORATIVE FOUNTAINS OR WATER FEATURES PROVIDED FOR VISUAL ENJOYMENT MUST BE INSTALLED IN ACCORDANCE WITH THE NATIONAL ELECTRIC CODE ANSI/NFPA 70 AND/OR THE AUTHORITY HAVING JURISDICTION. THIS PUMP IS NOT INTENDED FOR USE IN SWIMMING POOLS, RECREATIONAL WATER PARKS, OR INSTALLATIONS IN WHICH HUMAN CONTACT WITH PUMPED MEDIA IS A COMMON OCCURRENCE.

Drawings



All dimensions are in inches (mm)