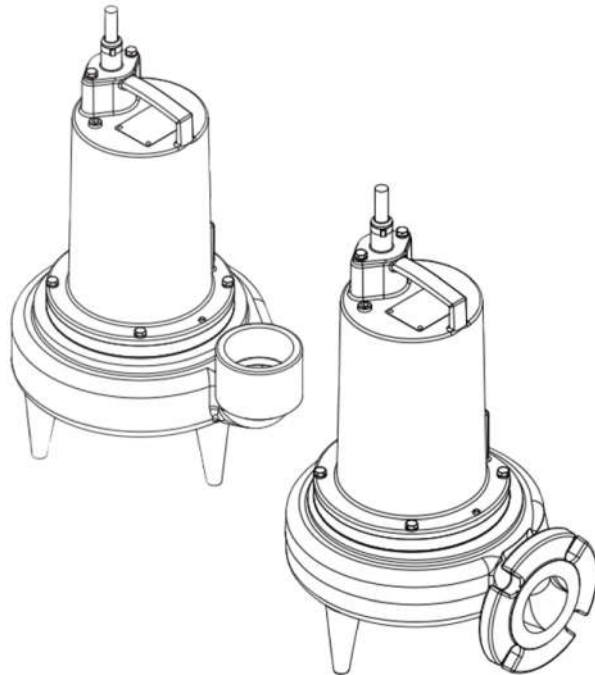


# 3SE-L – 3 HP

**2½" Spherical Solids Handling - Single Seal**

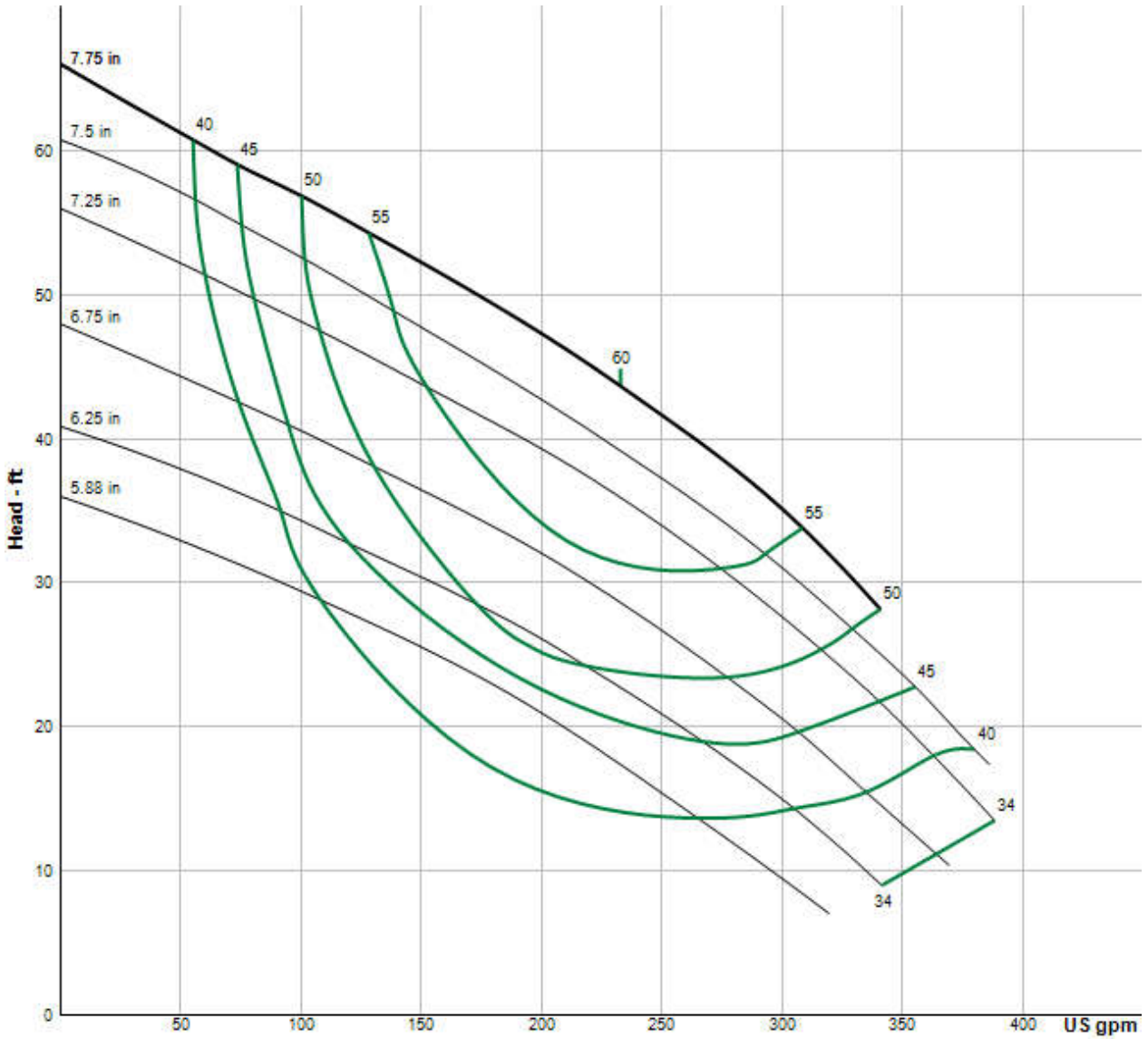


## Specifications

<b>DISCHARGE:</b>	<ul style="list-style-type: none"> <li>• 3" NPT, vertical</li> <li>• 3" Flanged, horizontal</li> </ul>
<b>SPEED:</b>	1750 OR 3450 RPM (Nominal)
<b>LIQUID TEMPERATURE:</b>	104°F (40°C) Continuous
<b>MOTOR HOUSING:</b>	Cast iron ASTM A-48, class 30
<b>PUMP BODY:</b>	Cast iron ASTM A-48, class 30
<b>IMPELLER:</b>	<ul style="list-style-type: none"> <li>• <b>Design:</b> 2 Vane, semi-open with pump out vanes on back side. Dynamically balanced, ISO G6.3</li> <li>• <b>Material:</b> Cast iron ASTM A-48, class 30</li> </ul>
<b>CORD ENTRY:</b>	30 ft. (9.1m) Cord. Quick connect custom molded for sealing and strain relief.
<b>SINGLE PHASE:</b>	Permanent split capacitor (PSC) Includes overload protection in motor
<b>THREE PHASE:</b>	230/460 is Dual Voltage. 575. Requires overload Protection to be included in control panel
<b>MOTOR:</b>	<ul style="list-style-type: none"> <li>• <b>Design:</b> NEMA L -single phase, NEMA B -three phase torque curve, oil filled, squirrel cage induction</li> <li>• <b>Insulation:</b> Class B &amp; Class F on selected models</li> </ul>
<b>UPPER BEARING:</b>	<ul style="list-style-type: none"> <li>• <b>Design:</b> Single row, ball</li> <li>• <b>Lubrication:</b> Oil</li> <li>• <b>Load:</b> Radial</li> </ul>
<b>LOWER BEARING:</b>	<ul style="list-style-type: none"> <li>• <b>Design:</b> Single row, ball</li> <li>• <b>Lubrication:</b> Oil</li> <li>• <b>Load:</b> Radial &amp; thrust</li> </ul>
<b>VOLUTE:</b>	Cast iron ASTM A-48, class 30
<b>SHAFT:</b>	416 Stainless steel
<b>SQUARE RINGS:</b>	Buna-N
<b>HARDWARE:</b>	300 Series stainless steel
<b>PAINT:</b>	Air dry enamel
<b>SEAL PLATE</b>	Cast iron ASTM A-48, class 30
<b>SEAL KIT P/N:</b>	130182
<b>SERVICE KIT P/N:</b>	130209

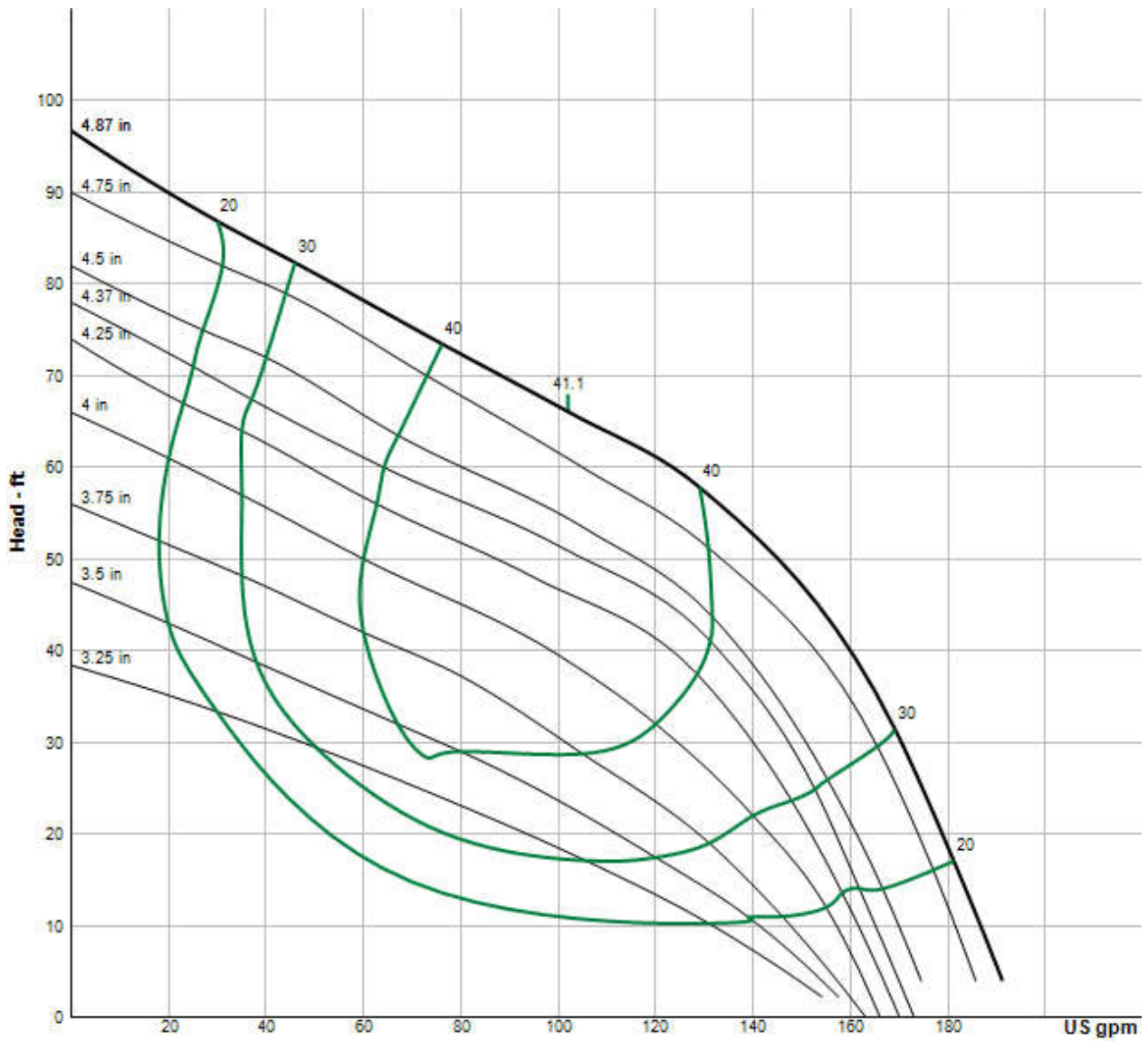
Curves

1750 RPM



Pump HP	Impeller Dia mm (in.)
3	197 (7.75)

3450 RPM



Pump HP	Impeller Dia mm (in.)
3	124 (4.87)

Model Information

Vertical Series

PUMP MODEL NUMBER	3SE3024L	3SE3034L	3SE3044L	3SE3054L	3SE3032L	3SE3042L	3SE3052L
<b>PART NUMBER</b>	133115	133116	133117	133118	133153	133154	133155
<b>HP</b>	3	3	3	3	3	3	3
<b>VOLTAGE/PHASE</b>	230/1	230/3	460/3	575/3	230/3	460/3	575/3
<b>HZ</b>	60	60	60	60	60	60	60
<b>RPM (NOMINAL)</b>	1750	1750	1750	1750	3450	3450	3450
<b>NEMA START CODE</b>	A	D	D	E	B	B	B
<b>INSULATION CLASS</b>	F	F	F	B	F	F	F
<b>FULL LOAD AMPS</b>	28.0	19.0	9.0	5.9	16.4	8.2	6.5
<b>LOCKED ROTOR AMPS</b>	59.0	56.0	28.0	23.0	40.0	20.0	16.0
<b>CORD SIZE</b>	10/3	12/4	14/4	14/4	12/4	14/4	14/4
<b>CORD TYPE</b>	SOOW/SOW	SOOW/SOW	SOOW/SOW	SOOW/SOW	SOOW/SOW	SOOW/SOW	SOOW/SOW
<b>CORD O.D INCH (MM)</b>	.66 (16.8)	.68 (17.4)	.57 (14.5)	.57 (14.5)	.68 (17.4)	.57 (14.5)	.57 (14.5)
<b>WEIGHT (LBS)</b>	170	170	170	170	170	170	170



**IMPORTANT**

- 1.) PUMP MAY BE OPERATED "DRY" FOR EXTENDED PERIODS WITHOUT DAMAGE TO MOTOR AND/OR SEALS.
- 2.) INSTALLATIONS SUCH AS DECORATIVE FOUNTAINS OR WATER FEATURES PROVIDED FOR VISUAL ENJOYMENT MUST BE INSTALLED IN ACCORDANCE WITH THE NATIONAL ELECTRIC CODE ANSI/NFPA 70 AND/OR THE AUTHORITY HAVING JURISDICTION. THIS PUMP IS NOT INTENDED FOR USE IN SWIMMING POOLS, RECREATIONAL WATER PARKS, OR INSTALLATIONS IN WHICH HUMAN CONTACT WITH PUMPED MEDIA IS A COMMON OCCURRENCE.

## Horizontal Series

PUMP MODEL NUMBER	3SEH3024L	3SEH3034L	3SEH3044L	3SEH3054L	3SEH3032L	3SEH3042L	3SEH3052L
<b>PART NUMBER</b>	133115H	133116H	133117H	133118H	133153H	133154H	133155H
<b>HP</b>	3	3	3	3	3	3	3
<b>VOLTAGE/PHASE</b>	230/1	230/3	460/3	575/3	230/3	460/3	575/3
<b>HZ</b>	60	60	60	60	60	60	60
<b>RPM (NOMINAL)</b>	1750	1750	1750	1750	3450	3450	3450
<b>NEMA START CODE</b>	A	D	D	E	B	B	B
<b>INSULATION CLASS</b>	F	F	F	B	F	F	B
<b>FULL LOAD AMPS</b>	28.0	19.0	9.0	5.9	16.4	8.2	6.5
<b>LOCKED ROTOR AMPS</b>	59.0	56.0	28.0	23.0	40.0	20.0	16.0
<b>CORD SIZE</b>	10/3	12/4	14/4	14/4	12/4	14/4	14/4
<b>CORD TYPE</b>	SOOW/SOW	SOOW/SOW	SOOW/SOW	SOOW/SOW	SOOW/SOW	SOOW/SOW	SOOW/SOW
<b>CORD O.D INCH (MM)</b>	.66 (16.8)	.68 (17.4)	.57 (14.5)	.57 (14.5)	.68 ( 17.4)	.57 (14.5)	.57 (14.5)
<b>WEIGHT (LBS)</b>	170	170	170	170	170	170	170



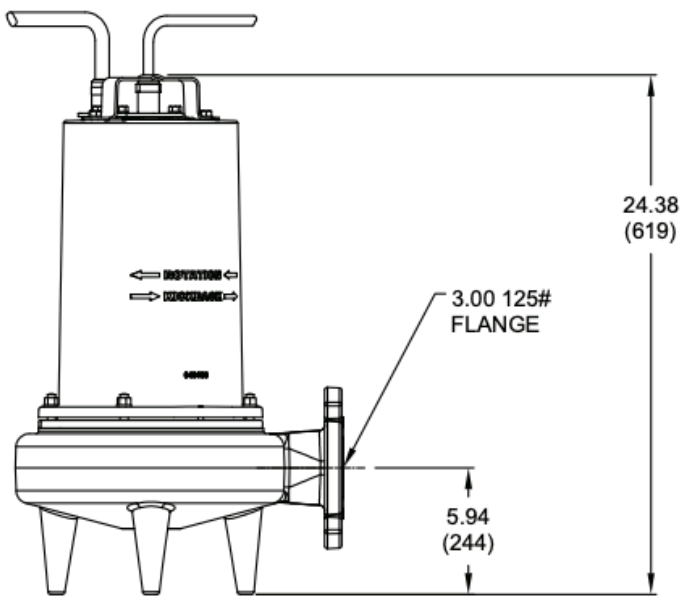
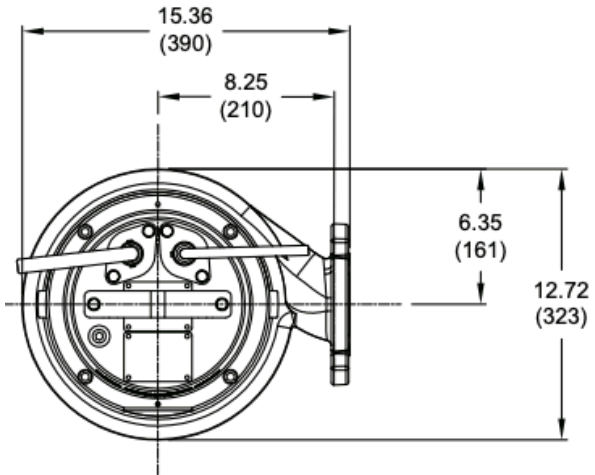
### IMPORTANT


- 1.) PUMP MAY BE OPERATED "DRY" FOR EXTENDED PERIODS WITHOUT DAMAGE TO MOTOR AND/OR SEALS.
- 2.) INSTALLATIONS SUCH AS DECORATIVE FOUNTAINS OR WATER FEATURES PROVIDED FOR VISUAL ENJOYMENT MUST BE INSTALLED IN ACCORDANCE WITH THE NATIONAL ELECTRIC CODE ANSI/NFPA 70 AND/OR THE AUTHORITY HAVING JURISDICTION. THIS PUMP IS NOT INTENDED FOR USE IN SWIMMING POOLS, RECREATIONAL WATER PARKS, OR INSTALLATIONS IN WHICH HUMAN CONTACT WITH PUMPED MEDIA IS A COMMON OCCURRENCE.



Drawings

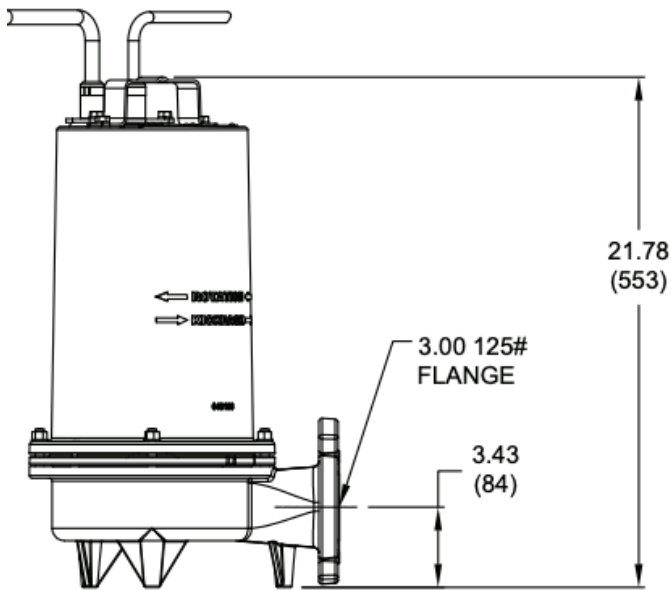
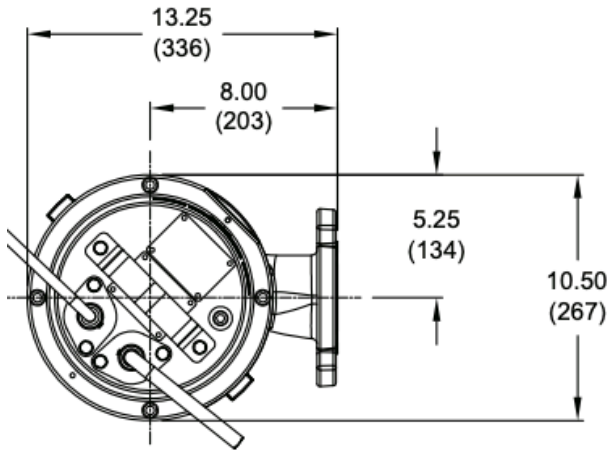
**1750 RPM Horizontal**




 All dimensions are in inches (mm)

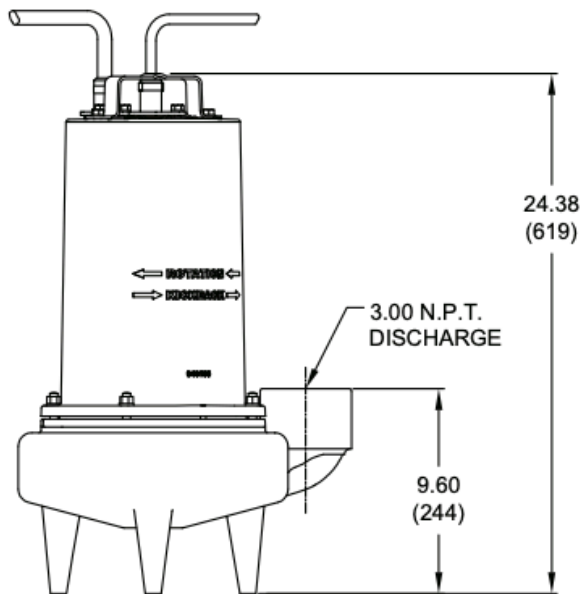
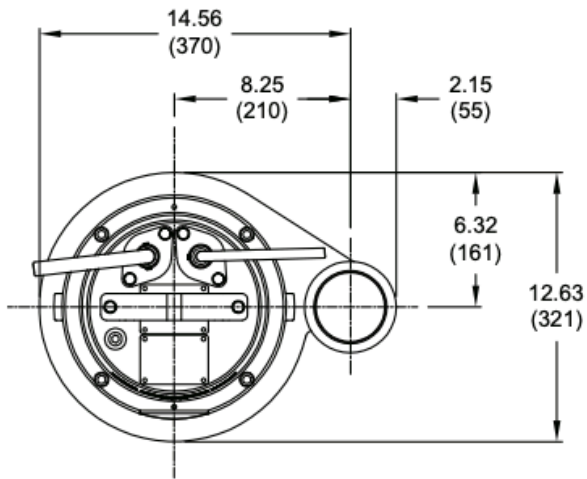
**3450 RPM Horizontal**





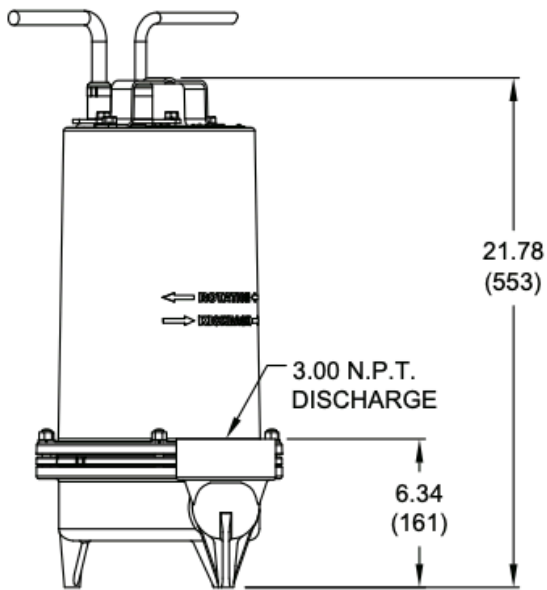
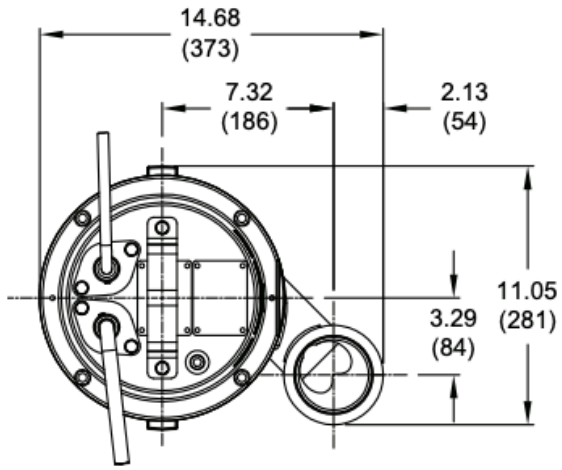
 All dimensions are in inches (mm)

## 1750 RPM Vertical



All dimensions are in inches (mm)

## 3450 RPM Vertical



All dimensions are in inches (mm)