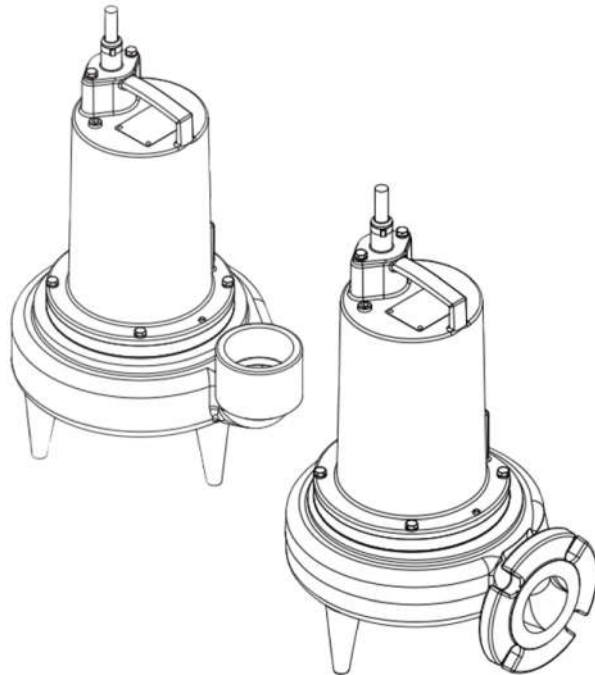


3SE-L – 2 HP

2½" Spherical Solids Handling - Single Seal

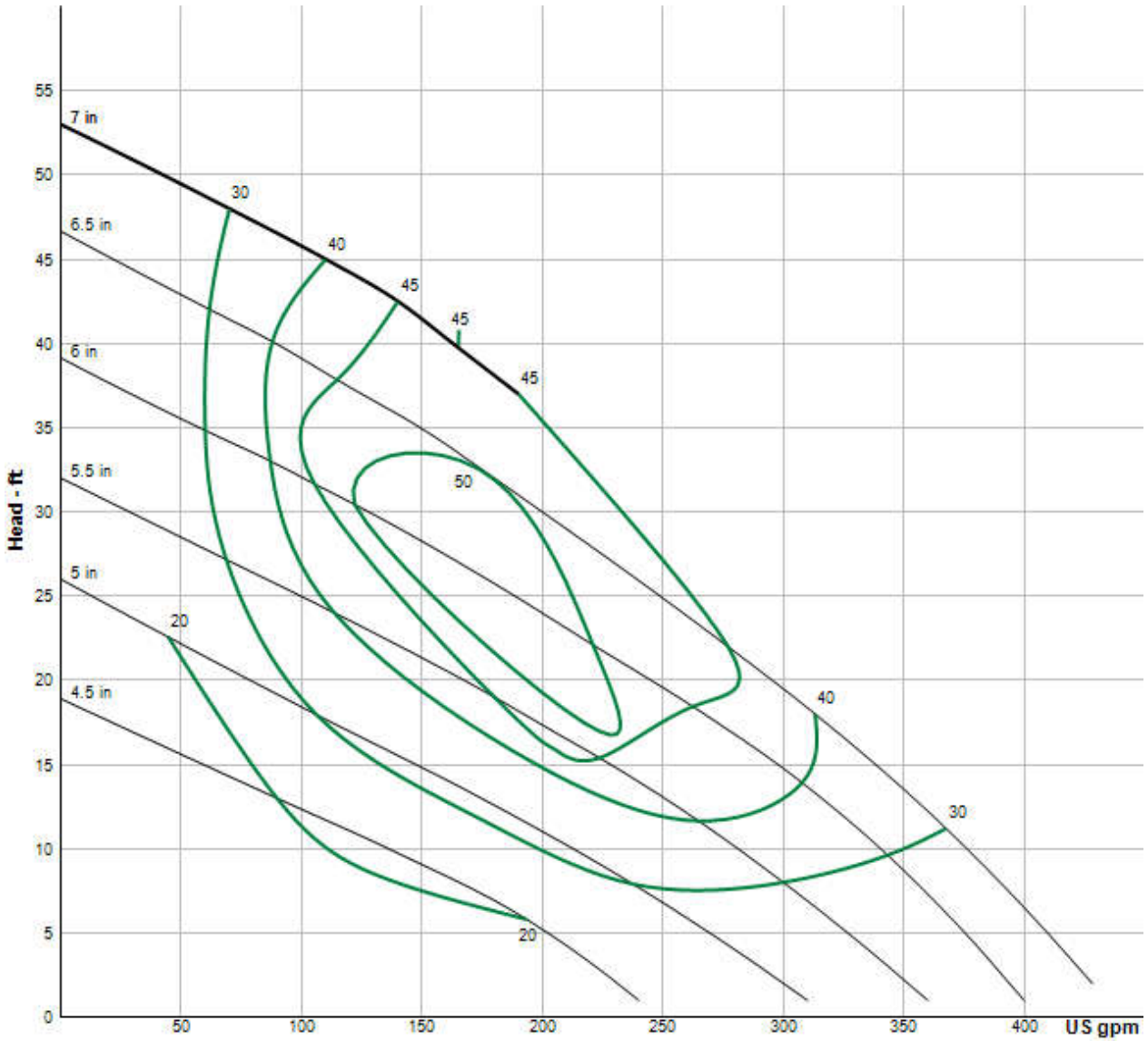


Specifications

DISCHARGE:	<ul style="list-style-type: none"> • 3" NPT, vertical • 3" Flanged, horizontal
SPEED:	1750 OR 3450 RPM (Nominal)
LIQUID TEMPERATURE:	104°F (40°C) Continuous
MOTOR HOUSING:	Cast iron ASTM A-48, class 30
PUMP BODY:	Cast iron ASTM A-48, class 30
IMPELLER:	<ul style="list-style-type: none"> • Design: 2 Vane, semi-open with pump out vanes on back side. Dynamically balanced, ISO G6.3 • Material: Cast iron ASTM A-48, class 30
CORD ENTRY:	30 ft. (9.1m) Cord. Quick connect custom molded for sealing and strain relief
SINGLE PHASE:	Permanent split capacitor (PSC) includes overload protection in motor
THREE PHASE:	200-230/460 is Tri-Voltage. 575. Requires overload protection to be included in control panel
MOTOR:	<ul style="list-style-type: none"> • Design: NEMA L -single phase, NEMA B -three phase torque curve, oil filled, squirrel cage induction • Insulation: Class B & Class F on selected models
UPPER BEARING:	<ul style="list-style-type: none"> • Design: Single row, ball • Lubrication: Oil • Load: Radial
LOWER BEARING:	<ul style="list-style-type: none"> • Design: Single row, ball • Lubrication: Oil • Load: Radial & thrust
VOLUTE:	Cast iron ASTM A-48, class 30
SHAFT:	416 Stainless steel
SQUARE RINGS:	Buna-N
HARDWARE:	300 Series stainless steel
PAINT:	Air dry enamel
SEAL PLATE	Cast iron ASTM A-48, class 30
SEAL KIT P/N:	130181
SERVICE KIT:	130208

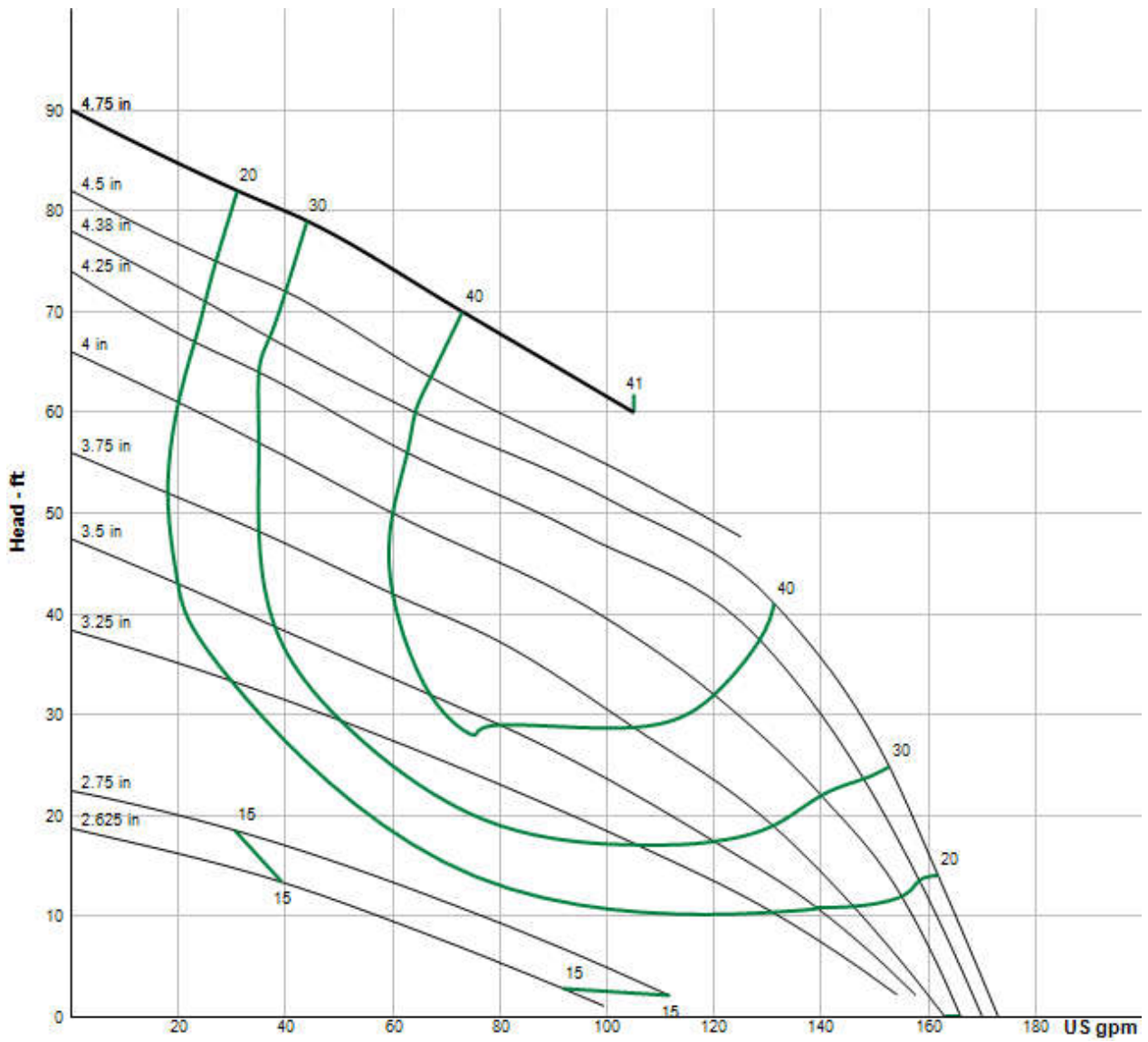
Curves

1750 RPM



Pump HP	Impeller Dia mm (in.)
2	165 (6.50)
1.5	152 (6.00)

3450 RPM



Pump HP	Impeller Dia mm (in.)
2	111 (4.38)
1.5	102 (4.00)

Model Information

Vertical Series

PUMP MODEL NUMBER	3SE2024L	3SE2094L	3SE2044L	3SE2054L	3SE2022L	3SE2092L	3SE2042L	3SE2052L
PART NUMBER	132750	132752	132754	132756	132848	132850	132852	132854
HP	2	2	2	2	2	2	2	2
VOLTAGE/PHASE	230/1	200-230/3	460/3	575/3	230/1	200-230/3	460/3	575/3
HZ	60	60	60	60	60	60	60	60
RPM (NOMINAL)	1750	1750	1750	1750	3450	3450	3450	3450
NEMA START CODE	A	B/D	D	D	A	A/C	C	C
INSULATION CLASS	F	F	F	B	F	F	F	B
FULL LOAD AMPS	19.0	15.2/13.2	6.6	5.2	13.5	11.5/10.0	5.0	4.0
LOCKED ROTOR AMPS	44.6	31.3/36.0	20.6	16.4	31.0	35.8/41.2	18.0	14.4
CORD SIZE	10/3	12/4	14/4	14/4	12/3	12/4	14/4	14/4
CORD TYPE	SOOW/SOW	SOOW/SOW	SOOW/SOW	SOOW/SOW	SOOW/SOW	SOOW/SOW	SOOW/SOW	SOOW/SOW
CORD O.D INCH (MM)	0.660 (16.8)	0.680 (17.4)	0.570 (14.5)	0.570 (14.5)	0.61 (15.5)	0.68 (17.3)	0.57 (14.5)	0.57 (14.5)
WEIGHT (LBS)	150	150	150	150	150	150	150	150



IMPORTANT

- 1.) PUMP MAY BE OPERATED "DRY" FOR EXTENDED PERIODS WITHOUT DAMAGE TO MOTOR AND/OR SEALS.
- 2.) INSTALLATIONS SUCH AS DECORATIVE FOUNTAINS OR WATER FEATURES PROVIDED FOR VISUAL ENJOYMENT MUST BE INSTALLED IN ACCORDANCE WITH THE NATIONAL ELECTRIC CODE ANSI/NFPA 70 AND/OR THE AUTHORITY HAVING JURISDICTION. THIS PUMP IS NOT INTENDED FOR USE IN SWIMMING POOLS, RECREATIONAL WATER PARKS, OR INSTALLATIONS IN WHICH HUMAN CONTACT WITH PUMPED MEDIA IS A COMMON OCCURRENCE.

Horizontal Series

PUMP MODEL NUMBER	3SEH2024L	3SEH2094L	3SEH2044L	3SEH2054L	3SEH2022L	3SEH2092L	3SEH2042L	3SEH2052L
PART NUMBER	132750H	132752H	132754H	132756H	132848H	132850H	132852H	132854H
HP	2	2	2	2	2	2	2	2
VOLTAGE/PHASE	230/1	200-230/3	460/3	575/3	230/1	208-230/3	460/3	575/3
HZ	60	60	60	60	60	60	60	60
RPM (NOMINAL)	1750	1750	1750	1750	3450	3450	3450	3450
NEMA START CODE	A	B/D	D	D	A	A/C	C	C
INSULATION CLASS	F	F	F	B	F	F	F	B
FLA	19.0	15.2/13.2	6.6	5.2	13.5	11.5/10.0	5.0	4.0
LRA	44.6	31.3/36.0	20.6	16.4	31.0	35.8/41.2	18.0	14.4
CORD SIZE	10/3	12/4	14/4	14/4	12/3	12/4	14/4	14/4
CORD TYPE	SOOW/SOW	SOOW/SOW	SOOW/SOW	SOOW/SOW	SOOW/SOW	SOOW/SOW	SOOW/SOW	SOOW/SOW
CORD O.D INCH (MM)	0.660 (16.8)	0.680 (17.4)	0.570 (14.5)	0.570 (14.5)	0.61 (15.5)	0.68 (17.3)	0.57 (14.5)	0.57 (14.5)
WEIGHT (LBS)	150	150	150	150	150	150	150	150

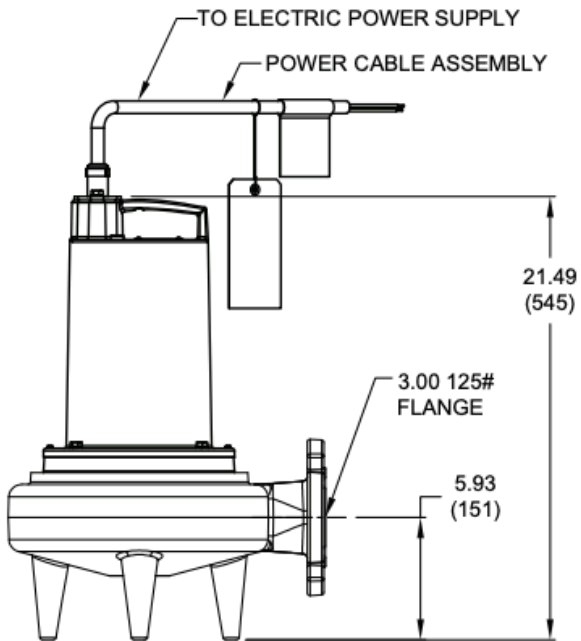
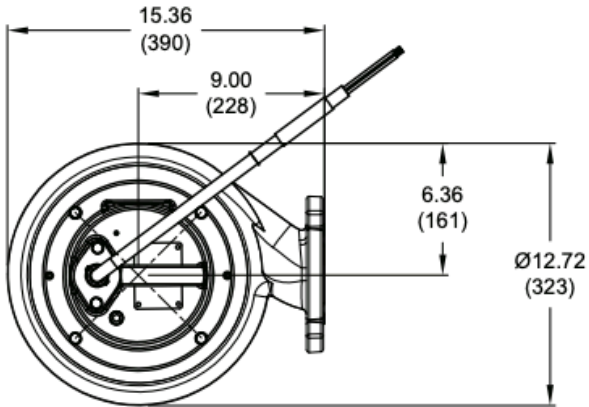


IMPORTANT

- 1.) PUMP MAY BE OPERATED "DRY" FOR EXTENDED PERIODS WITHOUT DAMAGE TO MOTOR AND/OR SEALS.
- 2.) INSTALLATIONS SUCH AS DECORATIVE FOUNTAINS OR WATER FEATURES PROVIDED FOR VISUAL ENJOYMENT MUST BE INSTALLED IN ACCORDANCE WITH THE NATIONAL ELECTRIC CODE ANSI/NFPA 70 AND/OR THE AUTHORITY HAVING JURISDICTION. THIS PUMP IS NOT INTENDED FOR USE IN SWIMMING POOLS, RECREATIONAL WATER PARKS, OR INSTALLATIONS IN WHICH HUMAN CONTACT WITH PUMPED MEDIA IS A COMMON OCCURRENCE.

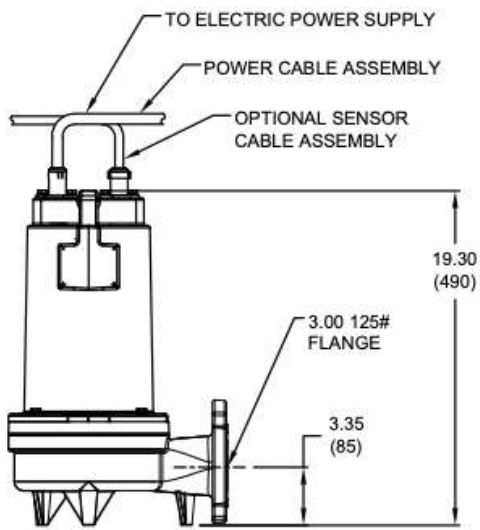
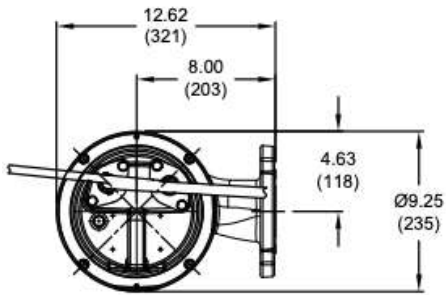
Drawings


1750 RPM Horizontal



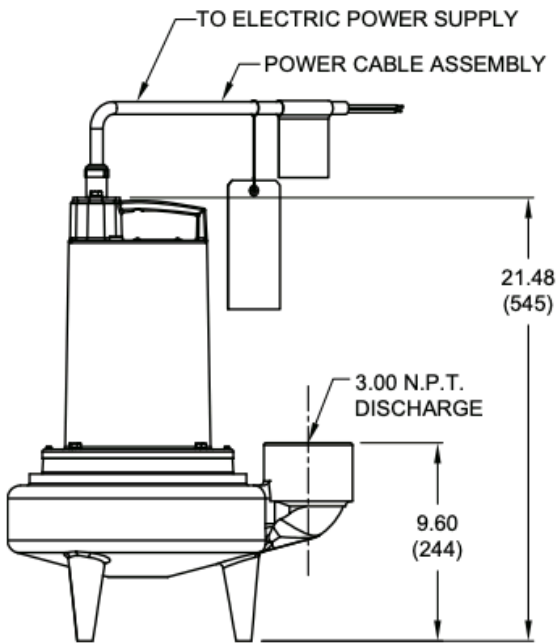
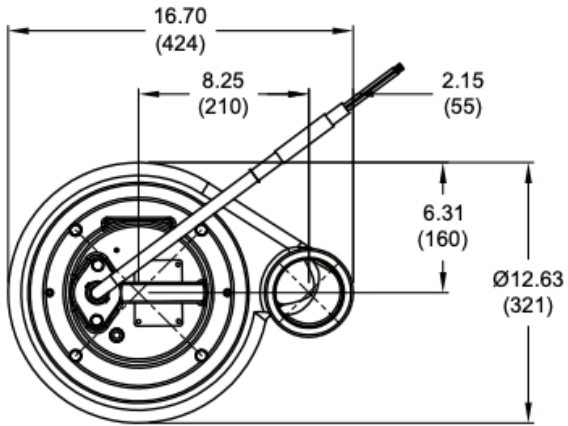
All dimensions are in inches (mm)


3450 RPM Horizontal



 All dimensions are in inches (mm)

1750 RPM Vertical



 All dimensions are in inches (mm)

3450 RPM Vertical

