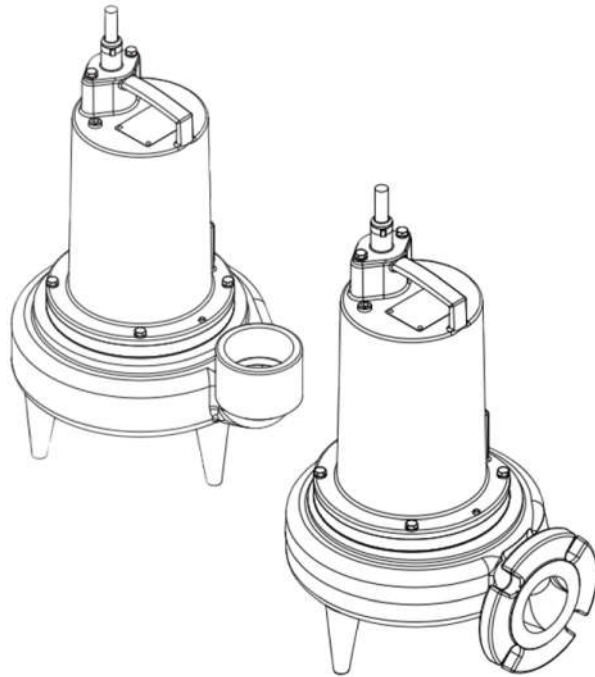


# 3SE-L – 1.5 HP

**2½" Spherical Solids Handling - Single Seal**

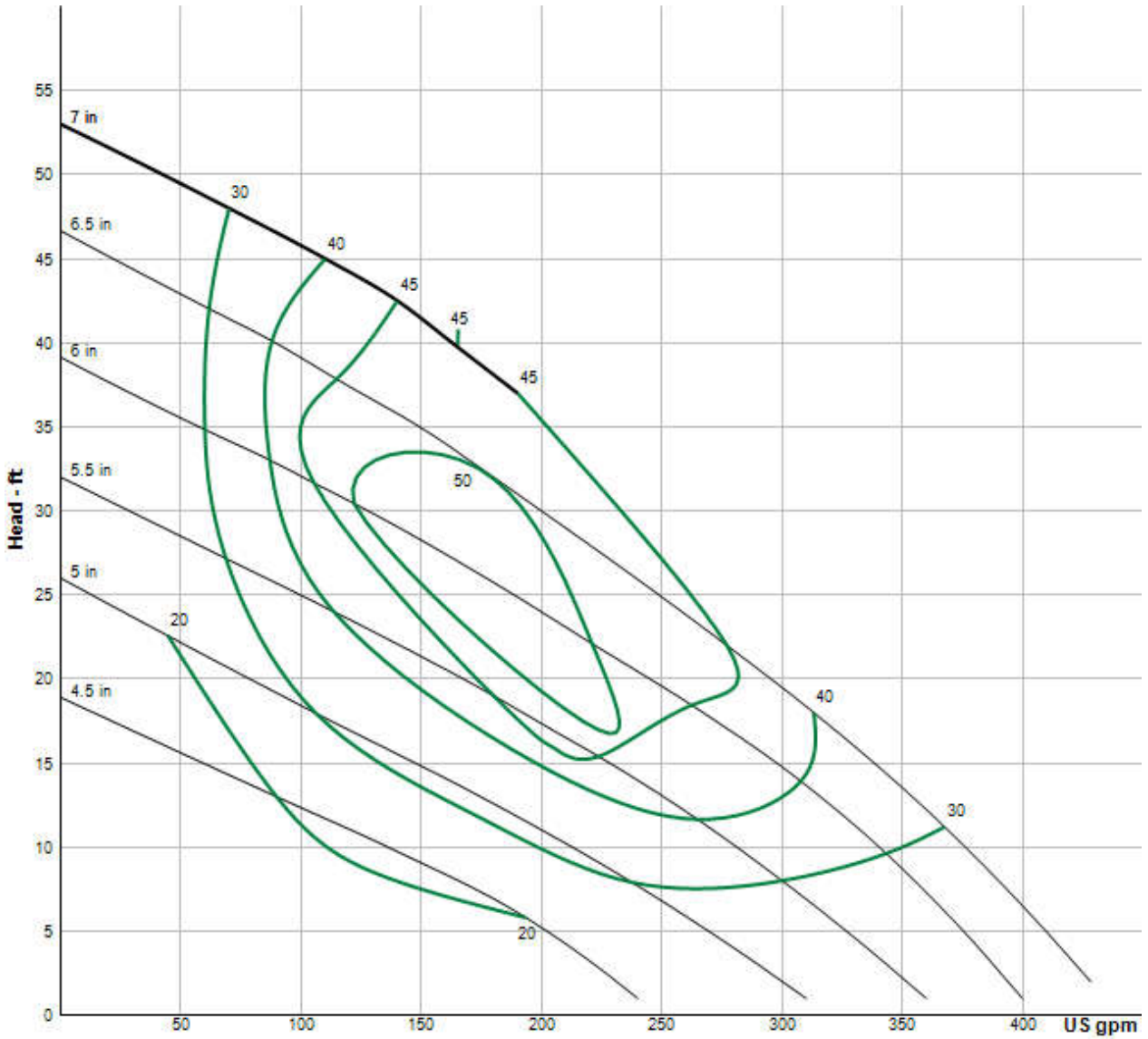


## Specifications

<b>DISCHARGE:</b>	<ul style="list-style-type: none"> <li>• 3" NPT, vertical</li> <li>• 3" Flanged, horizontal</li> </ul>
<b>SPEED:</b>	1750 OR 3450 RPM (Nominal)
<b>LIQUID TEMPERATURE:</b>	104°F (40°C) Continuous
<b>MOTOR HOUSING:</b>	Cast iron ASTM A-48, class 30
<b>PUMP BODY:</b>	Cast iron ASTM A-48, class 30
<b>IMPELLER:</b>	<ul style="list-style-type: none"> <li>• <b>Design:</b> 2 Vane, semi-open with pump out vanes on back side. Dynamically balanced, ISO G6.3</li> <li>• <b>Material:</b> Cast iron ASTM A-48, class 30</li> </ul>
<b>CORD ENTRY:</b>	30 ft. (9.1m) Cord. Quick connect custom molded for sealing and stain relief
<b>SINGLE PHASE:</b>	Permanent split capacitor (PSC) includes overload protection in motor
<b>THREE PHASE:</b>	200-230/460 is Tri-Voltage. 575. Requires overload protection to be included in control panel
<b>MOTOR:</b>	<ul style="list-style-type: none"> <li>• <b>Design:</b> NEMA L -single phase, NEMA B -three phase torque curve, oil filled, squirrel cage induction</li> <li>• <b>Insulation:</b> Class B &amp; class F on selected models</li> </ul>
<b>UPPER BEARING:</b>	<ul style="list-style-type: none"> <li>• <b>Design:</b> Single row, ball</li> <li>• <b>Lubrication:</b> Oil</li> <li>• <b>Load:</b> Radial</li> </ul>
<b>LOWER BEARING:</b>	<ul style="list-style-type: none"> <li>• <b>Design:</b> Single row, ball</li> <li>• <b>Lubrication:</b> Oil</li> <li>• <b>Load:</b> Radial &amp; Thrust</li> </ul>
<b>VOLUTE:</b>	Cast iron ASTM A-48, class 30
<b>SHAFT:</b>	416 Stainless steel
<b>SQUARE RINGS:</b>	Buna-N
<b>HARDWARE:</b>	300 Series stainless steel
<b>PAINT:</b>	Air dry enamel
<b>SEAL PLATE</b>	Cast iron ASTM A-48, class 30
<b>SEAL KIT P/N:</b>	130181
<b>SERVICE KIT P/N:</b>	130208

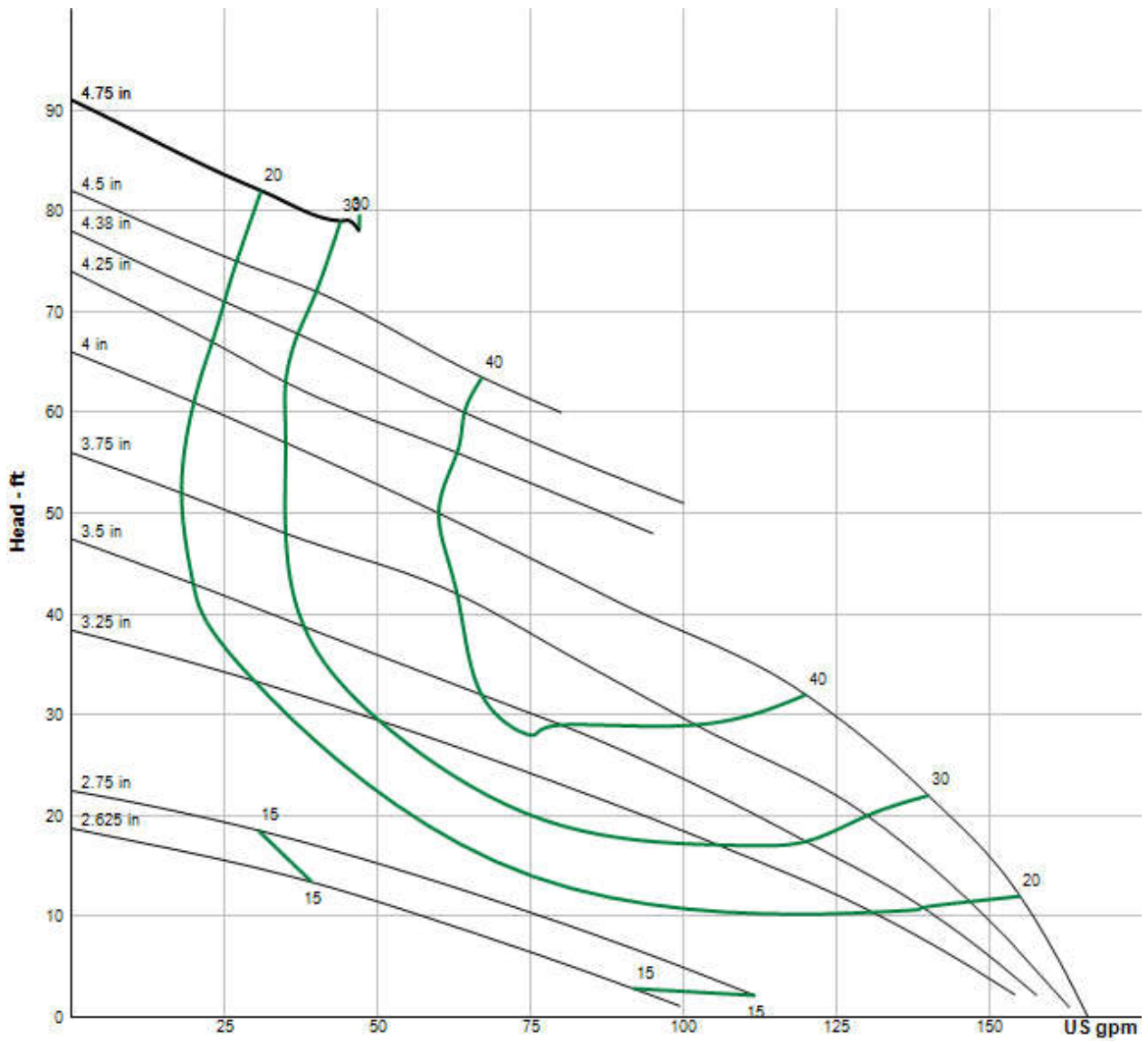
Curves

1750 RPM



Pump HP	Impeller Dia mm (in.)
2	165 (6.50)
1.5	152 (6.00)

3450 RPM



Pump HP	Impeller Dia mm (in.)
2	111 (4.38)
1.5	102 (4.00)



## Model Information

### Vertical Series

PUMP MODEL NUMBER	3SE1524L	3SE1594L	3SE1544L	3SE1554L	3SE1522L	3SE1592L	3SE1542L	3SE1552L
<b>PART NUMBER</b>	132725	132730	132735	132740	132775	132842	132844	132846
<b>HP</b>	1.5	1.5	1.5	1.5	1.5	1.5	1.5	1.5
<b>VOLTAGE/PHASE</b>	230/1	200-230/3	460/3	575/3	230/1	200-230/3	460/3	575/3
<b>HZ</b>	60	60	60	60	60	60	60	60
<b>RPM (NOMINAL)</b>	1750	1750	1750	1750	3450	3450	3450	3450
<b>NEMA START CODE</b>	C	D/G	G	G	A	C/F	F	F
<b>INSULATION CLASS</b>	F	F	F	B	F	F	F	B
<b>FULL LOAD AMPS</b>	16.0	13.3/11.6	5.8	4.6	12.0	9.8/8.6	4.3	3.4
<b>LOCKED ROTOR AMPS</b>	44.6	35.8/41.2	20.6	16.4	31.0	31.3/36.0	18.0	14.4
<b>CORD SIZE</b>	12/3	12/4	14/4	14/4	12/3	12/4	14/4	14/4
<b>CORD TYPE</b>	SOOW/SOW	SOOW/SOW	SOOW/SOW	SOOW/SOW	SOOW/SOW	SOOW/SOW	SOOW/SOW	SOOW/SOW
<b>CORD O.D INCH (MM)</b>	0.610 (15.5)	0.680 (17.4)	0.570 (14.5)	0.570 (14.5)	0.61 (15.5)	0.68 (17.3)	0.57 (14.5)	0.57 (14.5)
<b>WEIGHT (LBS)</b>	145	145	145	145	145	145	145	145



#### IMPORTANT

- 1.) PUMP MAY BE OPERATED "DRY" FOR EXTENDED PERIODS WITHOUT DAMAGE TO MOTOR AND/OR SEALS.
- 2.) INSTALLATIONS SUCH AS DECORATIVE FOUNTAINS OR WATER FEATURES PROVIDED FOR VISUAL ENJOYMENT MUST BE INSTALLED IN ACCORDANCE WITH THE NATIONAL ELECTRIC CODE ANSI/NFPA 70 AND/OR THE AUTHORITY HAVING JURISDICTION. THIS PUMP IS NOT INTENDED FOR USE IN SWIMMING POOLS, RECREATIONAL WATER PARKS, OR INSTALLATIONS IN WHICH HUMAN CONTACT WITH PUMPED MEDIA IS A COMMON OCCURRENCE.

## Horizontal Series

PUMP MODEL NUMBER	3SEH1524L	3SEH1594L	3SEH1544L	3SEH1554L	3SEH1522L	3SEH1592L	3SEH1542L	3SEH1552L
<b>PART NUMBER</b>	132725H	132730H	132735H	132740H	132775H	132842H	132844H	132846H
<b>HP</b>	1.5	1.5	1.5	1.5	1.5	1.5	1.5	1.5
<b>VOLTAGE/PHASE</b>	230/1	200-230/3	460/3	575/3	230/1	208-230/3	460/3	575/3
<b>HZ</b>	60	60	60	60	60	60	60	60
<b>RPM (NOMINAL)</b>	1750	1750	1750	1750	3450	3450	3450	3450
<b>NEMA START CODE</b>	C	C	C	C	A	E	F	F
<b>INSULATION CLASS</b>	F	F	F	B	F	F	F	B
<b>FULL LOAD AMPS</b>	16.0	13.3/11.6	5.8	4.6	12.0	9.8/8.6	4.3	3.4
<b>LOCKED ROTOR AMPS</b>	44.6	31.3/36.0	20.6	16.4	31.0	35.8/41.2	18.0	14.4
<b>CORD SIZE</b>	12/3	12/4	14/4	14/4	12/3	12/4	14/4	14/4
<b>CORD TYPE</b>	SOOW/SOW	SOOW/SOW	SOOW/SOW	SOOW/SOW	SOOW/SOW	SOOW/SOW	SOOW/SOW	SOOW/SOW
<b>CORD O.D INCH (MM)</b>	0.610 (15.5)	0.680 (17.4)	0.570 (14.5)	0.570 (14.5)	0.61 (15.5)	0.68 (17.3)	0.57 (14.5)	0.57 (14.5)
<b>WEIGHT (LBS)</b>	145	145	145	145	145	145	145	145



### IMPORTANT

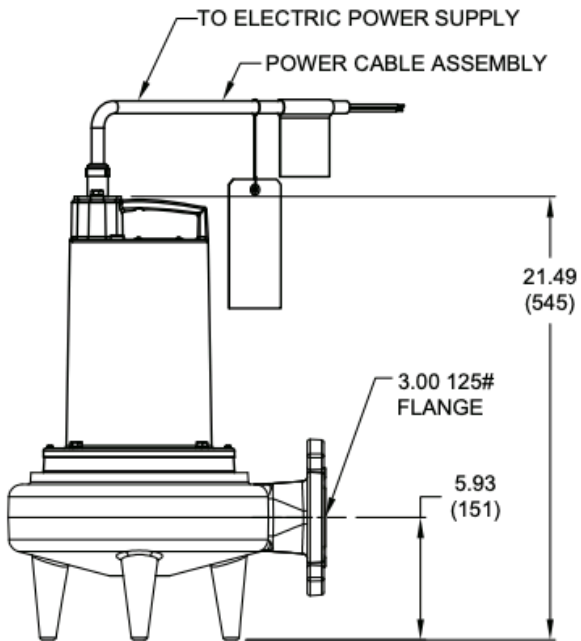
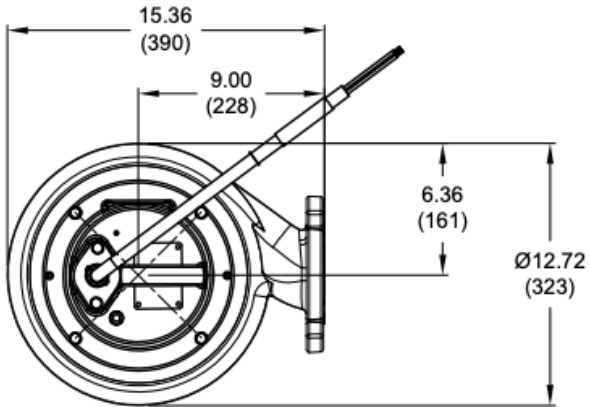
- 1.) PUMP MAY BE OPERATED "DRY" FOR EXTENDED PERIODS WITHOUT DAMAGE TO MOTOR AND/OR SEALS.
- 2.) INSTALLATIONS SUCH AS DECORATIVE FOUNTAINS OR WATER FEATURES PROVIDED FOR VISUAL ENJOYMENT MUST BE INSTALLED IN ACCORDANCE WITH THE NATIONAL ELECTRIC CODE ANSI/NFPA 70 AND/OR THE AUTHORITY HAVING JURISDICTION. THIS PUMP IS NOT INTENDED FOR USE IN SWIMMING POOLS, RECREATIONAL WATER PARKS, OR INSTALLATIONS IN WHICH HUMAN CONTACT WITH PUMPED MEDIA IS A COMMON OCCURRENCE.






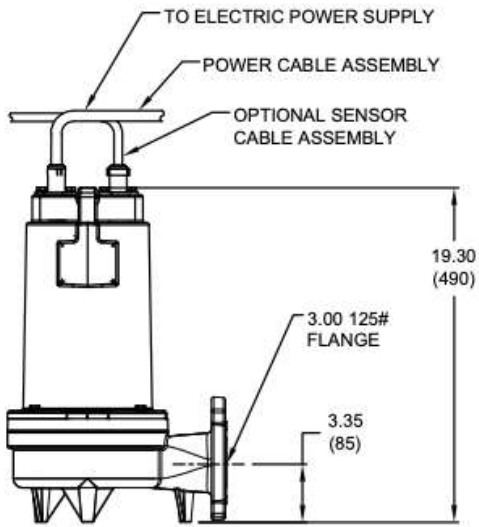
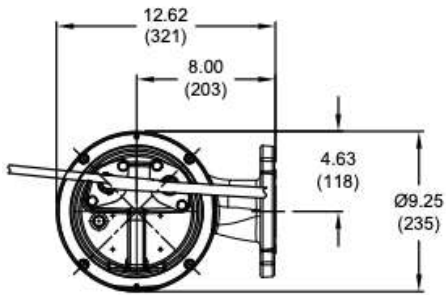
Drawings


**1750 RPM Horizontal**



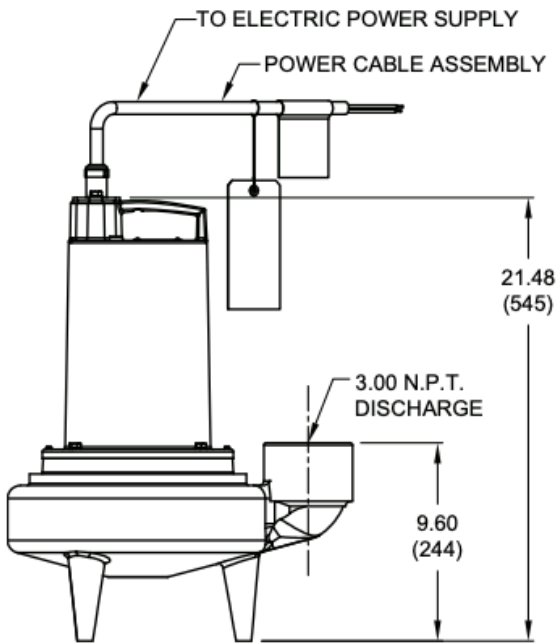
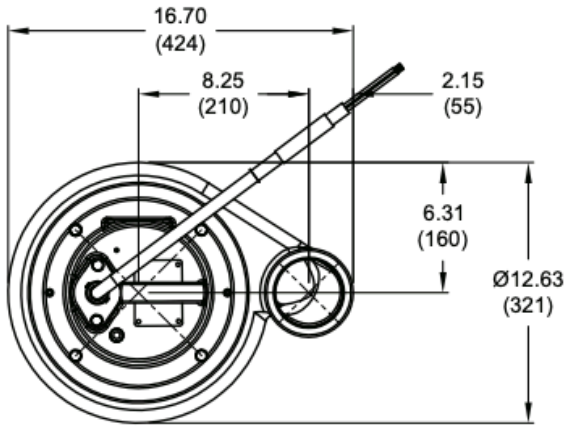
 All dimensions are in inches (mm)


**3450 RPM Horizontal**



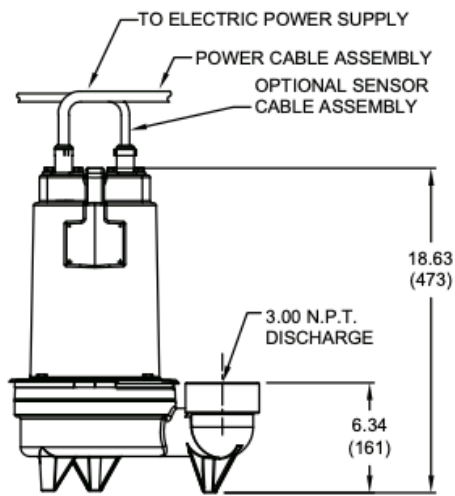
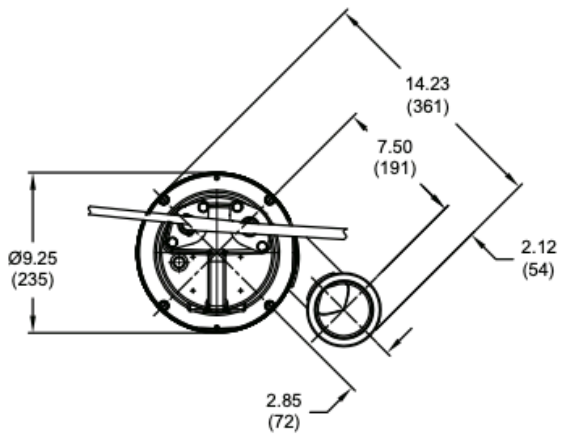
 All dimensions are in inches (mm)

## 1750 RPM Vertical



 All dimensions are in inches (mm)

### 3450 RPM Vertical



All dimensions are in inches (mm)