

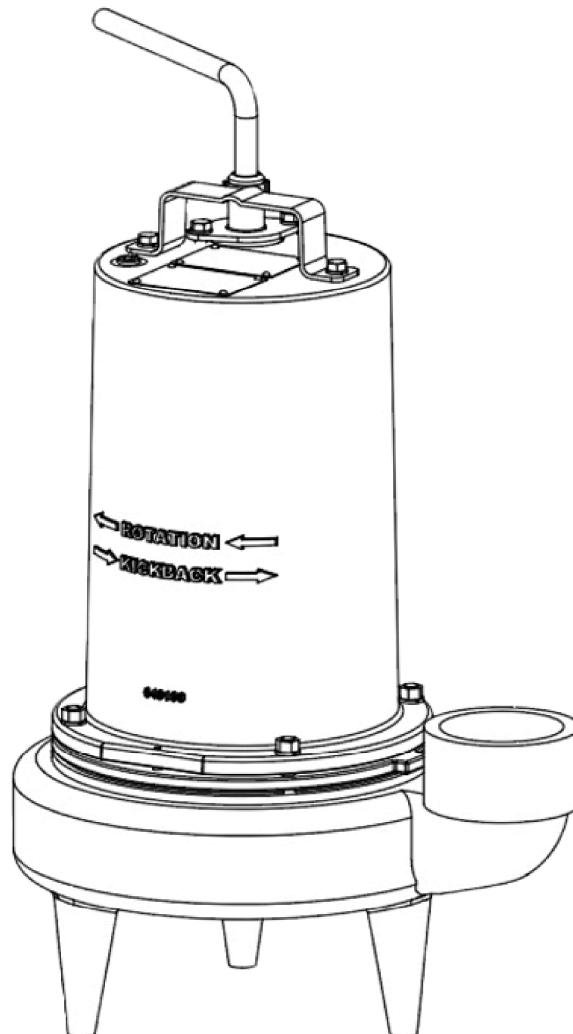
**CRANE**

PUMPS & SYSTEMS

**BARNES**

# 3SE-HD – 2 HP

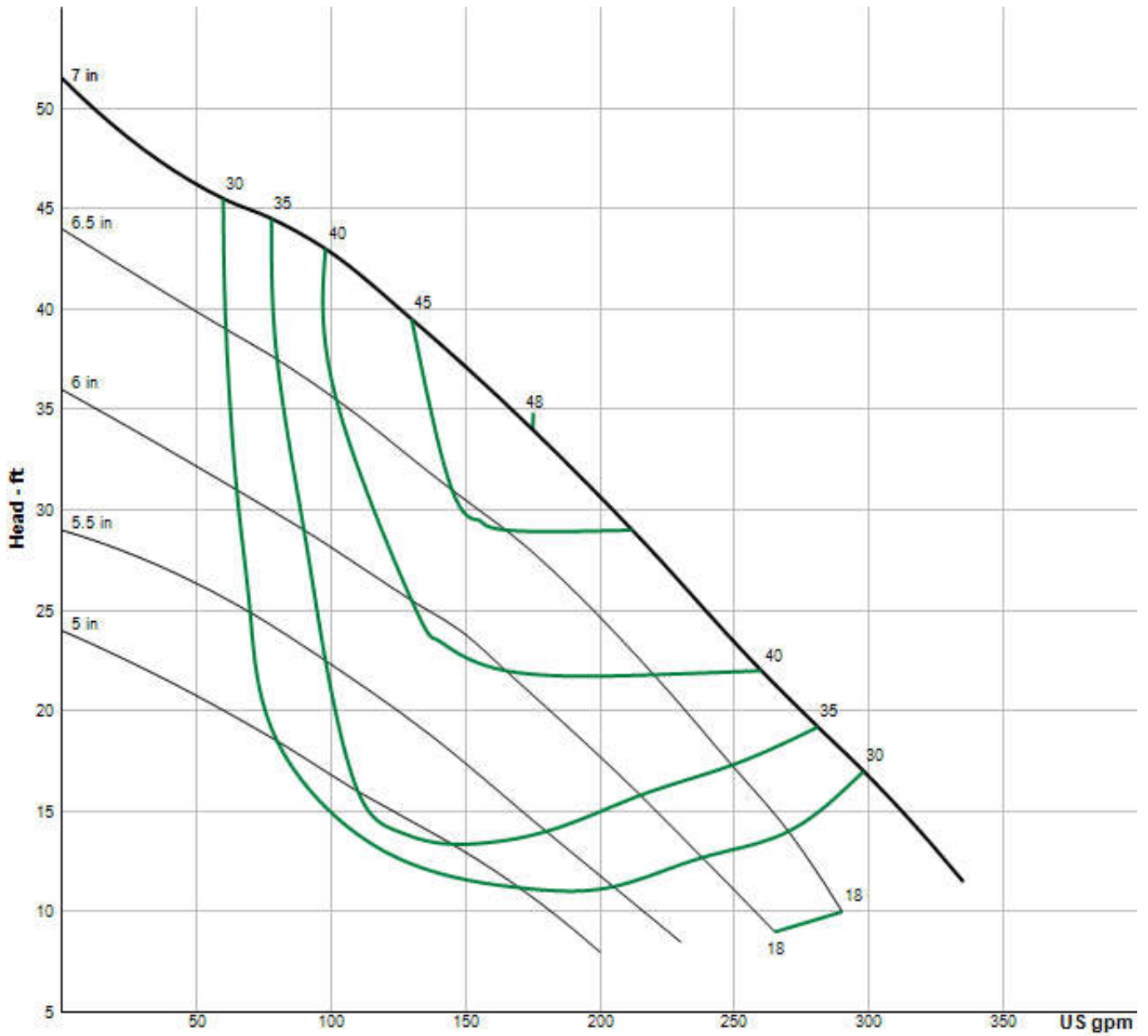
**2½" Spherical Solids Handling - Heavy Duty, Single Seal**



## Specifications

<b>DISCHARGE:</b>	3" NPT, Female, vertical
<b>SPEED:</b>	1750 RPM (Nominal)
<b>LIQUID TEMPERATURE:</b>	104°F (40°C) Continuous
<b>MOTOR HOUSING:</b>	Cast iron ASTM A-48, class 30
<b>IMPELLER:</b>	<ul style="list-style-type: none"> <li>• <b>Design:</b> 2 Vane, open, with pump out vanes on back side. Dynamically balanced, ISO G6.3</li> <li>• <b>Material:</b> Cast iron ASTM A-48, class 30</li> </ul>
<b>CORD ENTRY:</b>	30 ft. (9.1m) Cord. Quick connect custom molded for sealing and strain relief
<b>SINGLE PHASE:</b>	Permanent split capacitor (PSC) includes overload protection in motor
<b>THREE PHASE:</b>	200-230/460 is Tri-Voltage. Requires overload protection to be included in control panel
<b>MOTOR:</b>	<ul style="list-style-type: none"> <li>• <b>Design:</b> NEMA L -single phase, NEMA B -three phase torque curve, oil filled, squirrel cage induction</li> <li>• <b>Insulation:</b> Class B</li> </ul>
<b>UPPER BEARING:</b>	<ul style="list-style-type: none"> <li>• <b>Design:</b> Single row, ball</li> <li>• <b>Lubrication:</b> Oil</li> <li>• <b>Load:</b> Radial</li> </ul>
<b>LOWER BEARING:</b>	<ul style="list-style-type: none"> <li>• <b>Design:</b> Single row, ball</li> <li>• <b>Lubrication:</b> Oil</li> <li>• <b>Load:</b> Radial &amp; Thrust</li> </ul>
<b>VOLUTE:</b>	Cast iron ASTM A-48, class 30
<b>SHAFT:</b>	416 Stainless steel
<b>SQUARE RINGS:</b>	Buna-N
<b>HARDWARE:</b>	300 Series stainless steel
<b>PAINT:</b>	Air dry enamel
<b>SEAL PLATE</b>	Cast iron ASTM A-48, class 30
<b>SEAL KIT P/N:</b>	130182
<b>SERVICE KIT P/N:</b>	130209

Curves



Pump HP	Impeller Dia mm (in.)
2	178 (7.00)
1.5	165 (6.50)

**Model Information**

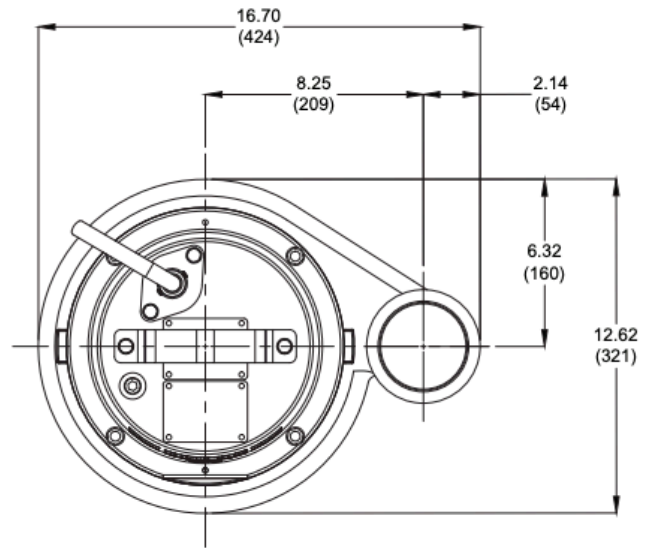
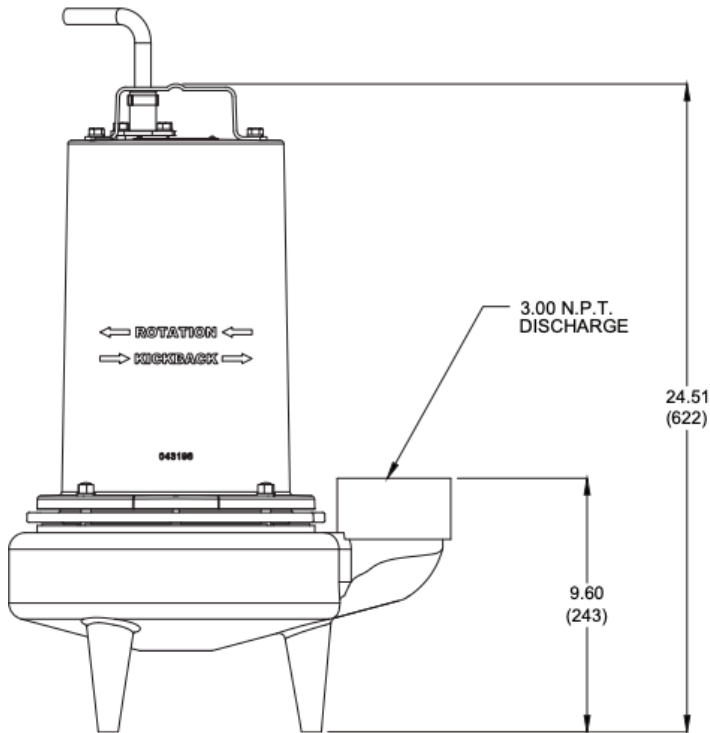
<b>PUMP MODEL NUMBER</b>	<b>3SE2024HD</b>	<b>3SE2094HD</b>	<b>3SE2044HD</b>
<b>PART NUMBER</b>	133466	133467	133468
<b>HP</b>	2	2	2
<b>VOLTAGE/PHASE</b>	230/1	200-230/3	460/3
<b>HZ</b>	60	60	60
<b>RPM (NOMINAL)</b>	1750	1750	1750
<b>NEMA START CODE</b>	B	J/M	M
<b>FULL LOAD AMPS</b>	14.5	15.4/14.0	7.0
<b>LOCKED ROTOR AMPS</b>	29.0	44.1/50.8	25.4
<b>CORD SIZE</b>	12/3	12/4	14/4
<b>CORD TYPE</b>	SOOW/SOW	SOOW/SOW	SOOW/SOW
<b>CORD O.D INCH (MM)</b>	.61 (15.5)	.68 (17.4)	.57 (14.5)
<b>WEIGHT (LBS)</b>	190	190	190




**IMPORTANT**

- 1.) PUMP MAY BE OPERATED "DRY" FOR EXTENDED PERIODS WITHOUT DAMAGE TO MOTOR AND/OR SEALS.
- 2.) INSTALLATIONS SUCH AS DECORATIVE FOUNTAINS OR WATER FEATURES PROVIDED FOR VISUAL ENJOYMENT MUST BE INSTALLED IN ACCORDANCE WITH THE NATIONAL ELECTRIC CODE ANSI/NFPA 70 AND/OR THE AUTHORITY HAVING JURISDICTION. THIS PUMP IS NOT INTENDED FOR USE IN SWIMMING POOLS, RECREATIONAL WATER PARKS, OR INSTALLATIONS IN WHICH HUMAN CONTACT WITH PUMPED MEDIA IS A COMMON OCCURRENCE.

Drawings



 All dimensions are in inches (mm)