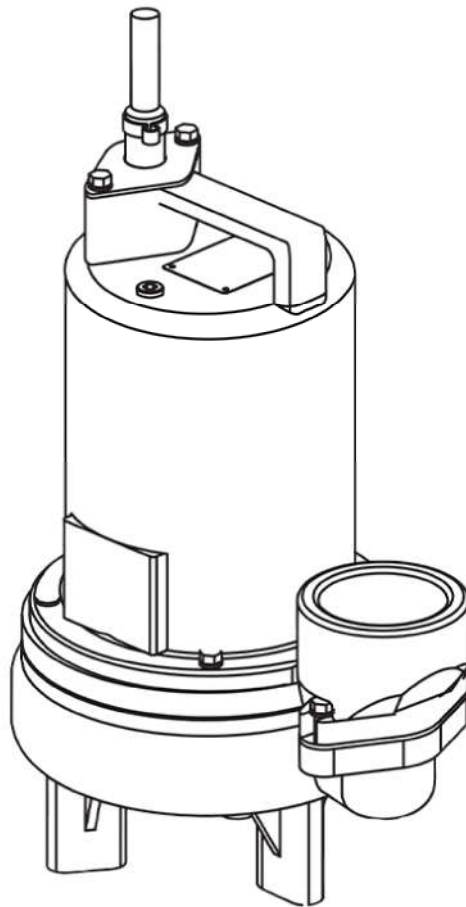


# 3SE-DS – .75 HP

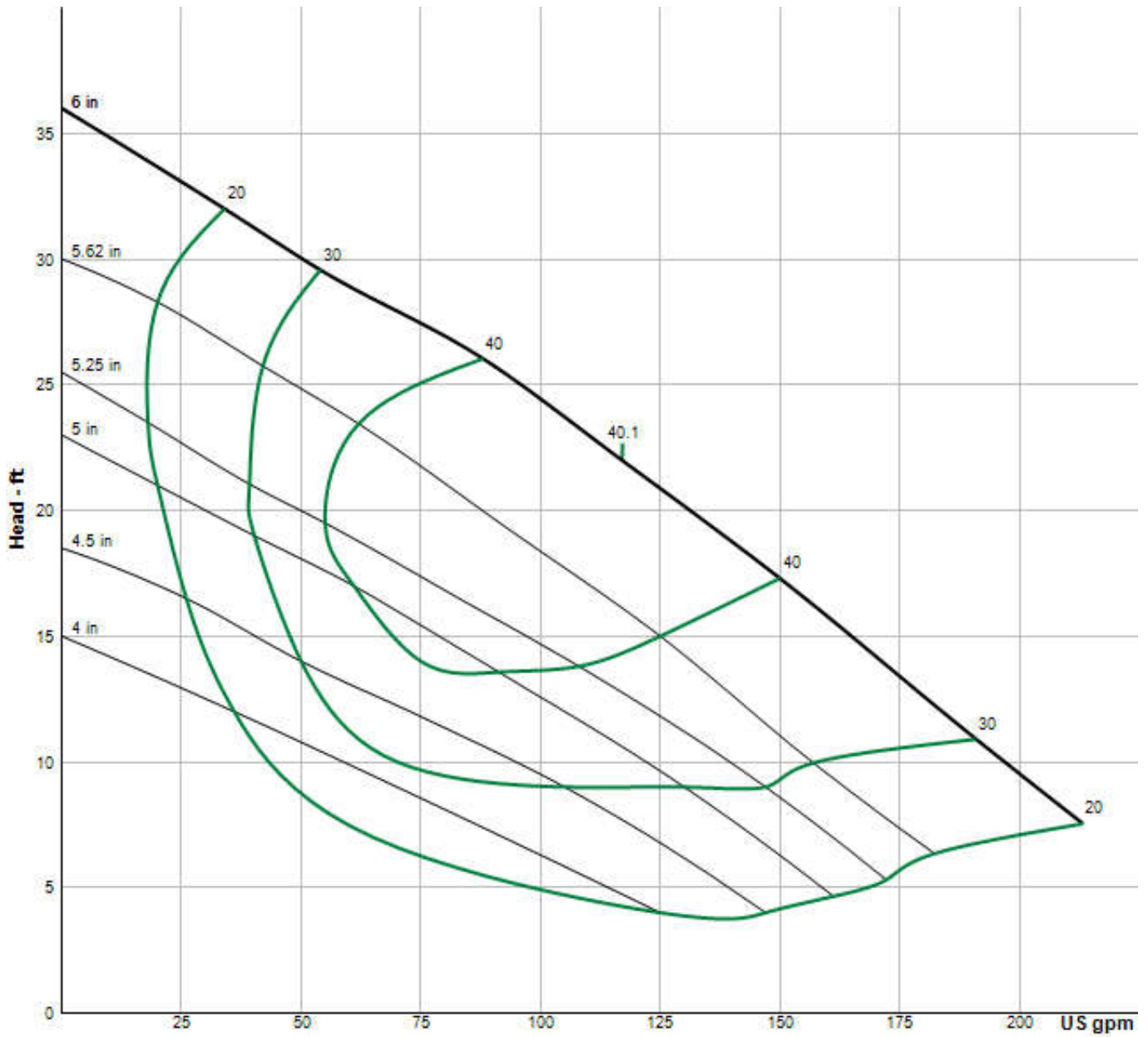
2" Spherical Solids Handling - Double Seal



## Specifications

<b>DISCHARGE:</b>	3" NPT, Female, vertical
<b>SPEED:</b>	1750 RPM (Nominal)
<b>LIQUID TEMPERATURE:</b>	104°F (40°C) Continuous
<b>MOTOR HOUSING:</b>	Cast iron ASTM A-48, class 30
<b>IMPELLER:</b>	<ul style="list-style-type: none"> <li>• <b>Design:</b> 2 Vane, semi-open with pump out vanes on back side. Dynamically balanced, ISO G6.3</li> <li>• <b>Material:</b> Cast iron ASTM A-48, class 30</li> </ul>
<b>CORD ENTRY:</b>	15 ft. (5m) Cord with plug on 120 volt & .5HP, 240 volt, 1 phase. Quick connect custom molded for sealing and strain relief
<b>SINGLE PHASE:</b>	Permanent split capacitor (PSC) includes overload protection in motor
<b>THREE PHASE:</b>	200-240/480 is Tri-Voltage. 600V. Requires Overload Protection to be included in control panel
<b>MOTOR:</b>	<ul style="list-style-type: none"> <li>• <b>Design:</b> NEMA L -single phase, NEMA B -three phase torque curve, oil filled, squirrel cage induction</li> <li>• <b>Insulation:</b> Class B &amp; class F on selected models</li> </ul>
<b>UPPER BEARING:</b>	<ul style="list-style-type: none"> <li>• <b>Design:</b> Single row, ball</li> <li>• <b>Lubrication:</b> Oil</li> <li>• <b>Load:</b> Radial</li> </ul>
<b>LOWER BEARING:</b>	<ul style="list-style-type: none"> <li>• <b>Design:</b> Single row, ball</li> <li>• <b>Lubrication:</b> Oil</li> <li>• <b>Load:</b> Radial &amp; thrust</li> </ul>
<b>VOLUTE:</b>	Cast iron ASTM A-48, class 30
<b>SHAFT:</b>	416 Stainless steel
<b>SQUARE RINGS:</b>	Buna-N
<b>HARDWARE:</b>	300 Series stainless steel
<b>PAINT:</b>	Air dry enamel
<b>SEAL PLATE</b>	Cast iron ASTM A-48, class 30
<b>SEAL KIT P/N:</b>	130176
<b>SERVICE KIT P/N:</b>	130172

Curves



Pump HP	Impeller Dia mm (in.)
0.5	133 (5.25)
0.75	143 (6.62)
1.00	152 (6.00)

## Model Information

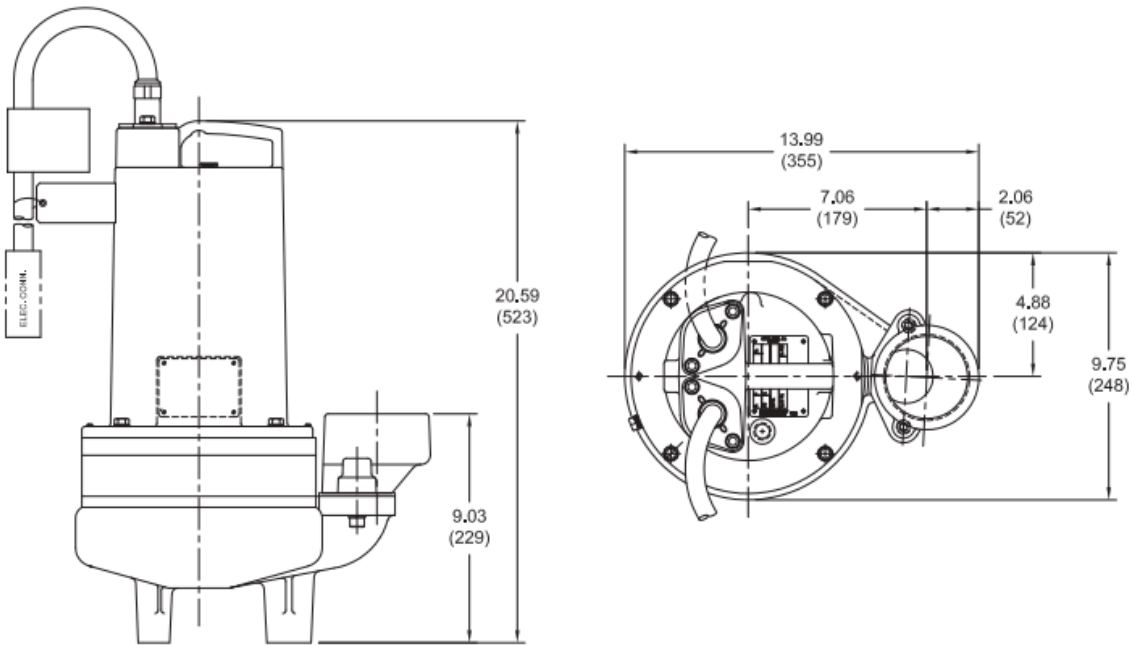
PUMP MODEL NUMBER	3SE774DS	3SE794DS	3SE744DS	3SE754DS
PART NUMBER	104906	104907	104908	104909
HP	0.75	0.75	0.75	0.75
VOLTAGE/PHASE	200-240/1	200-240/3	480/3	600/3
HZ	60	60	60	60
RPM (NOMINAL)	1750	1750	1750	1750
NEMA START CODE	G/K	H/K	K	L
INSULATION CLASS	F	F	F	F
FULL LOAD AMPS	7.4/7.0	4.8/4.5	2.2	1.5
LOCKED ROTOR AMPS	21.5/25.8	13.7/15.4	7.7	7.2
CORD SIZE	14/3	14/4	14/4	14/4
CORD TYPE	SOW	SOW	SOW	SOW
CORD O.D INCH (MM)	0.530 (13.5)	0.570 (14.5)	0.570 (14.5)	0.570 (14.5)
WEIGHT (LBS)	105	105	105	105



### IMPORTANT

- 1.) PUMP MAY BE OPERATED "DRY" FOR EXTENDED PERIODS WITHOUT DAMAGE TO MOTOR AND/OR SEALS.
- 2.) INSTALLATIONS SUCH AS DECORATIVE FOUNTAINS OR WATER FEATURES PROVIDED FOR VISUAL ENJOYMENT MUST BE INSTALLED IN ACCORDANCE WITH THE NATIONAL ELECTRIC CODE ANSI/NFPA 70 AND/OR THE AUTHORITY HAVING JURISDICTION. THIS PUMP IS NOT INTENDED FOR USE IN SWIMMING POOLS, RECREATIONAL WATER PARKS, OR INSTALLATIONS IN WHICH HUMAN CONTACT WITH PUMPED MEDIA IS A COMMON OCCURRENCE.

Drawings



All dimensions are in inches (mm)