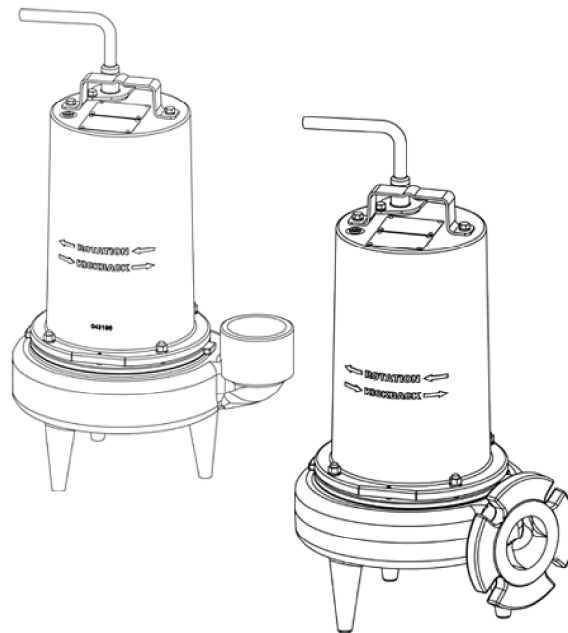


3SE-DS – 3 HP

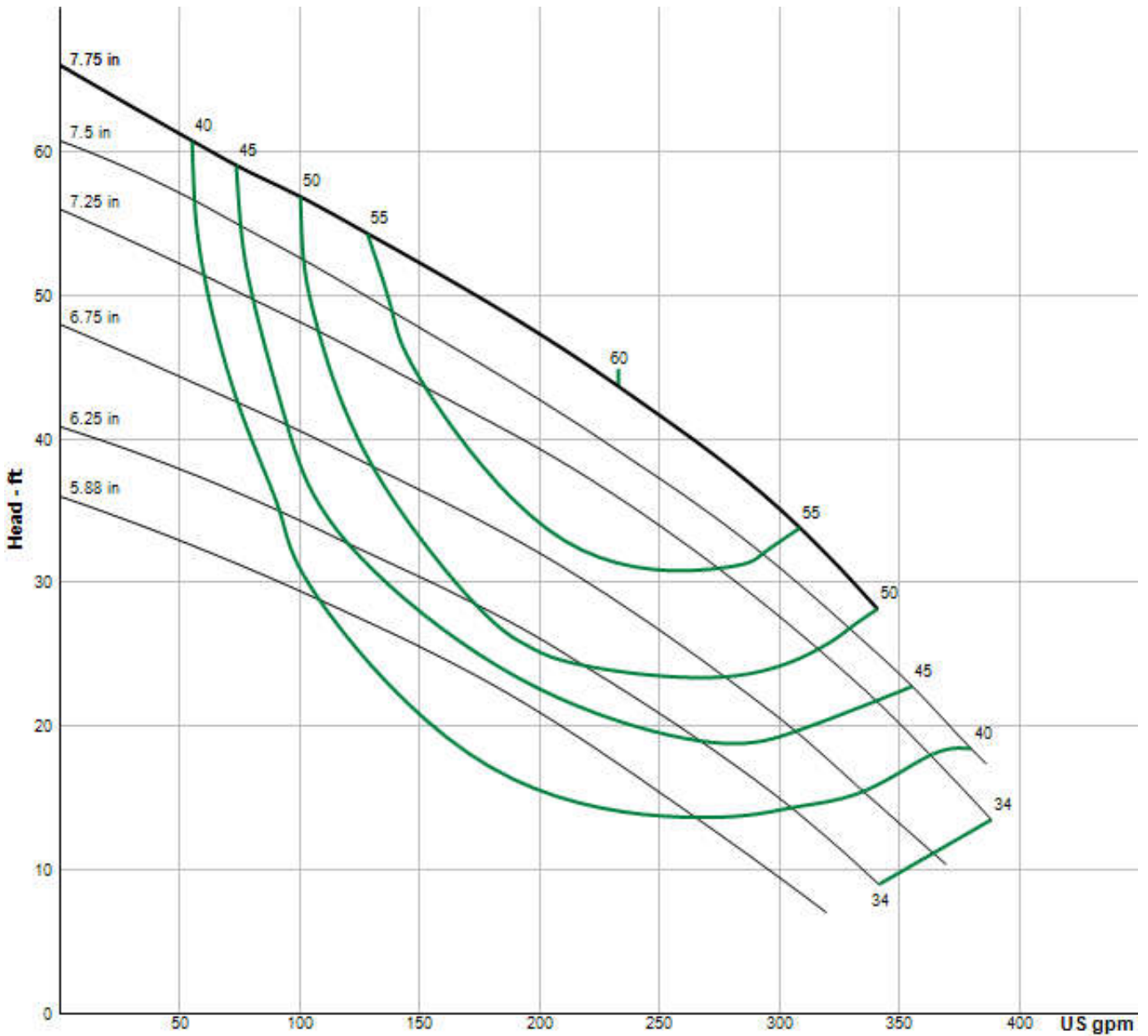
2½" Spherical Solids Handling - Double Seal



Specifications

DISCHARGE:	<ul style="list-style-type: none"> • 3" NPT, vertical • 3" Flanged, horizontal
SPEED:	1750 RPM (Nominal)
LIQUID TEMPERATURE:	104°F (40°C) Continuous
MOTOR HOUSING:	Cast iron ASTM A-48, class 30
PUMP BODY:	Cast iron ASTM A-48, class 30
IMPELLER:	<ul style="list-style-type: none"> • Design: 2 Vane, semi-open with pump out vanes on back side. Dynamically balanced, ISO G6.3 • Material: Cast iron ASTM A-48, class 30
CORD ENTRY:	30 ft. (9.1m) Cord with plug on 120 volt & .5HP, 240 volt, 1 phase. Quick connect custom molded for sealing and strain relief
SINGLE PHASE:	Permanent split capacitor (PSC) includes overload protection in motor
THREE PHASE:	230/460 is Dual Voltage. Requires overload protection to be included in control panel
MOTOR:	<ul style="list-style-type: none"> • Design: NEMA L -single phase, NEMA B -three phase torque curve, oil filled, squirrel cage induction • Insulation: Class B & class F on selected models
UPPER BEARING:	<ul style="list-style-type: none"> • Design: Single row, ball • Lubrication: Oil • Load: Radial
LOWER BEARING:	<ul style="list-style-type: none"> • Design: Single row, ball • Lubrication: Oil • Load: Radial & thrust
VOLUTE:	Cast iron ASTM A-48, class 30
SHAFT:	416 Stainless steel
SQUARE RINGS:	Buna-N
HARDWARE:	300 Series stainless steel
PAINT:	Air dry enamel
SEAL PLATE	Cast iron ASTM A-48, class 30
SEAL KIT P/N:	130178
SERVICE KIT P/N:	130174

Curves



Pump HP	Impeller Dia mm (in.)
3	197 (7.75)

Model Information

Vertical Series

PUMP MODEL NUMBER	3SE3024DS	3SE3034DS	3SE3044DS	3SE3054DS
PART NUMBER	133121	133122	133123	133124
HP	3	3	3	3
VOLTAGE/PHASE	230/1	230/3	460/3	575/3
HZ	60	60	60	60
RPM (NOMINAL)	1750	1750	1750	1750
NEMA START CODE	A	D	D	E
INSULATION CLASS	F	F	F	B
FULL LOAD AMPS	28.0	19.0	9.0	5.9
LOCKED ROTOR AMPS	59.0	56.0	28.0	23.0
CORD SIZE	10/3	12/4	14/4	14/4
CORD TYPE	SOOW/SOW	SOOW/SOW	SOOW/SOW	SOOW/SOW
CORD O.D INCH (MM)	.66 (16.8)	.68 (17.4)	.57 (14.5)	.57 (14.5)
WEIGHT (LBS)	170	170	170	170



IMPORTANT

- 1.) PUMP MAY BE OPERATED "DRY" FOR EXTENDED PERIODS WITHOUT DAMAGE TO MOTOR AND/OR SEALS.
- 2.) INSTALLATIONS SUCH AS DECORATIVE FOUNTAINS OR WATER FEATURES PROVIDED FOR VISUAL ENJOYMENT MUST BE INSTALLED IN ACCORDANCE WITH THE NATIONAL ELECTRIC CODE ANSI/NFPA 70 AND/OR THE AUTHORITY HAVING JURISDICTION. THIS PUMP IS NOT INTENDED FOR USE IN SWIMMING POOLS, RECREATIONAL WATER PARKS, OR INSTALLATIONS IN WHICH HUMAN CONTACT WITH PUMPED MEDIA IS A COMMON OCCURRENCE.

Horizontal Series

PUMP MODEL NUMBER	3SEH3024DS	3SEH3034DS	3SEH3044DS	3SEH3054DS
PART NUMBER	133121H	133122H	133123H	133124H
HP	3	3	3	3
VOLTAGE/PHASE	230/1	230/3	460/3	575/3
HZ	60	60	60	60
RPM (NOMINAL)	1750	1750	1750	1750
NEMA START CODE	A	D	D	E
INSULATION CLASS	F	F	F	B
FULL LOAD AMPS	28.0	19.0	9.0	5.9
LOCKED ROTOR AMPS	59.0	56.0	28.0	23
CORD SIZE	10/3	12/4	14/4	14/4
CORD TYPE	SOOW/SOW	SOOW/SOW	SOOW/SOW	SOOW/SOW
CORD O.D INCH (MM)	.66 (16.8)	.68 (17.4)	.57 (14.5)	.57 (14.5)

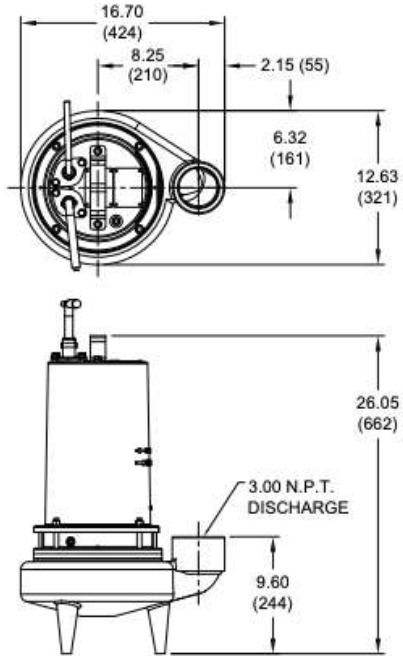


IMPORTANT

- 1.) PUMP MAY BE OPERATED "DRY" FOR EXTENDED PERIODS WITHOUT DAMAGE TO MOTOR AND/OR SEALS.
- 2.) INSTALLATIONS SUCH AS DECORATIVE FOUNTAINS OR WATER FEATURES PROVIDED FOR VISUAL ENJOYMENT MUST BE INSTALLED IN ACCORDANCE WITH THE NATIONAL ELECTRIC CODE ANSI/NFPA 70 AND/OR THE AUTHORITY HAVING JURISDICTION. THIS PUMP IS NOT INTENDED FOR USE IN SWIMMING POOLS, RECREATIONAL WATER PARKS, OR INSTALLATIONS IN WHICH HUMAN CONTACT WITH PUMPED MEDIA IS A COMMON OCCURRENCE.

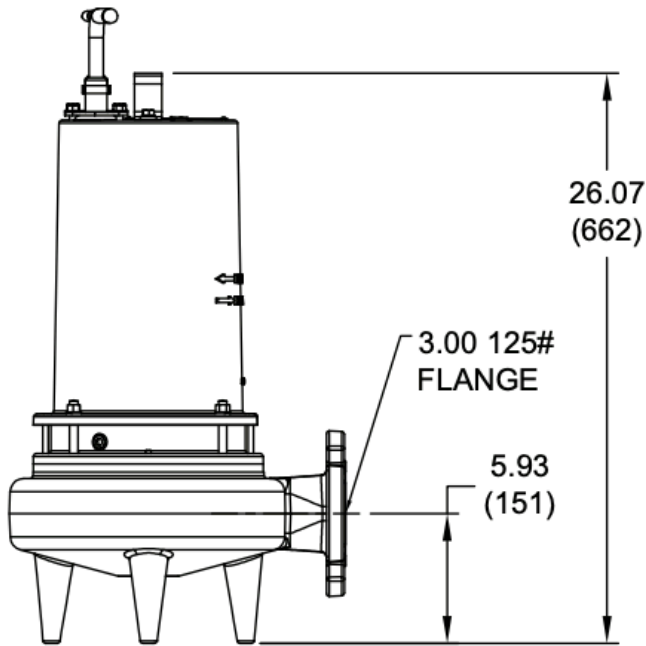
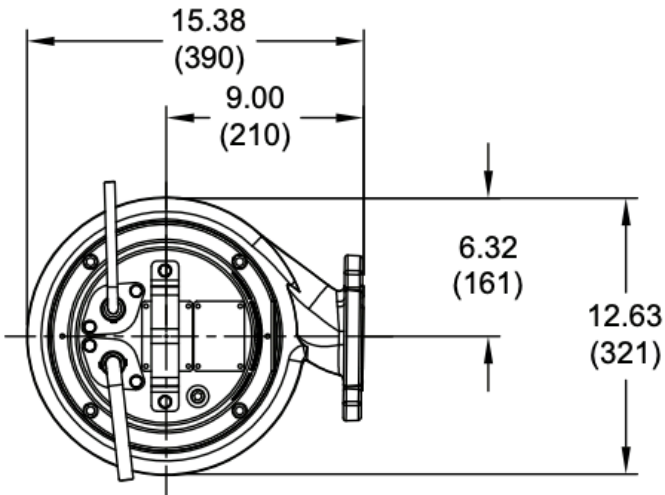
Drawings

Horizontal



All dimensions are in inches (mm)

Vertical



All dimensions are in inches (mm)