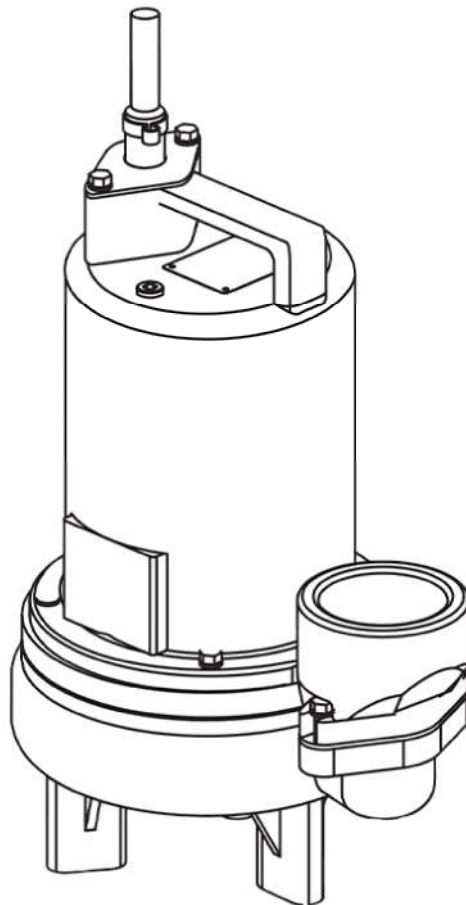


3SE-DS – 1.5 HP

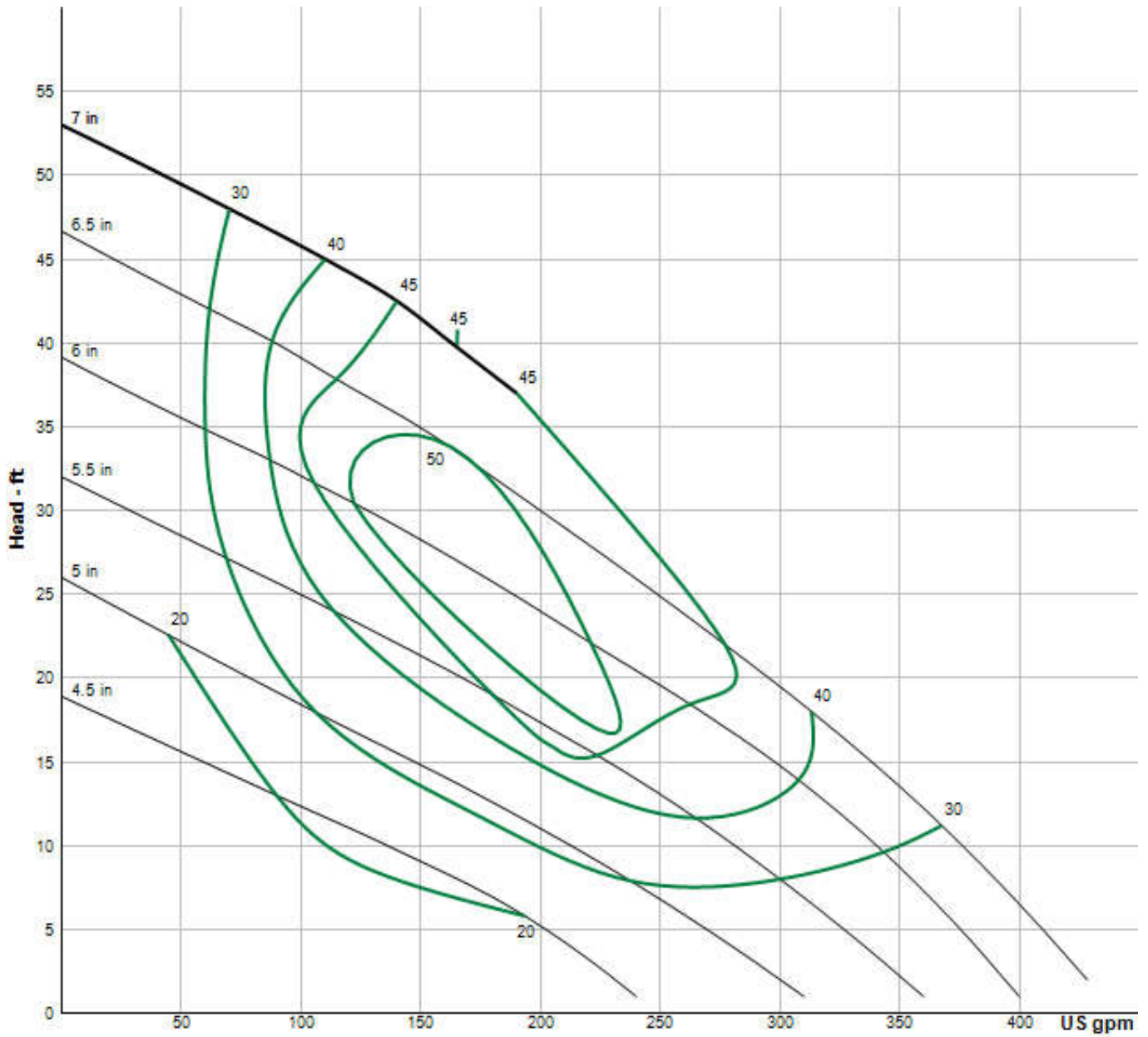
2½" Spherical Solids Handling - Double Seal



Specifications

| | |
|----------------------------|---|
| DISCHARGE: | <ul style="list-style-type: none"> • 3" NPT, vertical • 3" Flanged, horizontal |
| SPEED: | 1750 RPM (Nominal) |
| LIQUID TEMPERATURE: | 104°F (40°C) Continuous |
| MOTOR HOUSING: | Cast iron ASTM A-48, class 30 |
| IMPELLER: | <ul style="list-style-type: none"> • Design: 2 Vane, semi-open with pump out vanes on back side. Dynamically balanced, ISO G6.3 • Material: Cast iron ASTM A-48, class 30 |
| CORD ENTRY: | 30 ft. (9.1m) Cord with plug on 120 volt & .5HP, 240 volt, 1 phase. Quick connect custom molded for sealing and strain relief |
| SINGLE PHASE: | Permanent split capacitor (PSC) includes overload protection in motor |
| THREE PHASE: | 200-240/480 is Tri-Voltage. 575V. Requires Overload Protection to be included in control panel |
| MOTOR: | <ul style="list-style-type: none"> • Design: NEMA L -single phase, NEMA B -three phase torque curve, oil filled, squirrel cage induction • Insulation: Class B & class F on selected models |
| UPPER BEARING: | <ul style="list-style-type: none"> • Design: Single row, ball • Lubrication: Oil • Load: Radial |
| LOWER BEARING: | <ul style="list-style-type: none"> • Design: Single row, ball • Lubrication: Oil • Load: Radial & thrust |
| VOLUTE: | Cast iron ASTM A-48, class 30 |
| SHAFT: | 416 Stainless steel |
| SQUARE RINGS: | Buna-N |
| HARDWARE: | 300 Series stainless steel |
| PAINT: | Air dry enamel |
| SEAL PLATE | Cast iron ASTM A-48, class 30 |
| SEAL KIT P/N: | 130177 |
| SERVICE KIT P/N: | 130173 |

Curves



| Pump HP | Impeller Dia mm (in.) |
|---------|-----------------------|
| 2 | 165 (6.50) |
| 1.5 | 152 (6.00) |

Model Information

Vertical Series

| PUMP MODEL NUMBER | 3SE1524DS | 3SE1594DS | 3SE1544DS | 3SE1554DS |
|--------------------|--------------|--------------|--------------|--------------|
| PART NUMBER | 132745 | 132758 | 132760 | 132761 |
| HP | 1.5 | 1.5 | 1.5 | 1.5 |
| VOLTAGE/PHASE | 230/1 | 200-230/3 | 460/3 | 575/3 |
| HZ | 60 | 60 | 60 | 60 |
| RPM (NOMINAL) | 1750 | 1750 | 1750 | 1750 |
| NEMA START CODE | C | D/G | G | G |
| INSULATION CLASS | F | F | F | B |
| FULL LOAD AMPS | 16.0 | 13.3/11.6 | 5.8 | 4.6 |
| LOCKED ROTOR AMPS | 44.6 | 35.8/41.2 | 20.6 | 16.4 |
| CORD SIZE | 12/3 | 12/4 | 14/4 | 14/4 |
| CORD TYPE | SOOW / SOW | SOOW / SOW | SOOW / SOW | SOOW / SOW |
| CORD O.D INCH (MM) | 0.610 (15.5) | 0.680 (17.4) | 0.570 (14.5) | 0.570 (14.5) |
| WEIGHT (LBS) | 165 | 165 | 165 | 165 |



IMPORTANT

- 1.) PUMP MAY BE OPERATED "DRY" FOR EXTENDED PERIODS WITHOUT DAMAGE TO MOTOR AND/OR SEALS.
- 2.) INSTALLATIONS SUCH AS DECORATIVE FOUNTAINS OR WATER FEATURES PROVIDED FOR VISUAL ENJOYMENT MUST BE INSTALLED IN ACCORDANCE WITH THE NATIONAL ELECTRIC CODE ANSI/NFPA 70 AND/OR THE AUTHORITY HAVING JURISDICTION. THIS PUMP IS NOT INTENDED FOR USE IN SWIMMING POOLS, RECREATIONAL WATER PARKS, OR INSTALLATIONS IN WHICH HUMAN CONTACT WITH PUMPED MEDIA IS A COMMON OCCURRENCE.

Horizontal Series

| PUMP MODEL NUMBER | 3SEH1524DS | 3SEH1594DS | 3SEH1544DS | 3SEH1554DS |
|--------------------|--------------|--------------|--------------|--------------|
| PART NUMBER | 132745H | 132758H | 132760H | 132761H |
| HP | 1.5 | 1.5 | 1.5 | 1.5 |
| VOLTAGE/PHASE | 230/1 | 200-230/3 | 460/3 | 575/3 |
| HZ | 60 | 60 | 60 | 60 |
| RPM (NOMINAL) | 1750 | 1750 | 1750 | 1750 |
| NEMA START CODE | C | D/G | G | G |
| INSULATION CLASS | F | F | F | B |
| FULL LOAD AMPS | 16.0 | 13.3/11.6 | 5.8 | 4.6 |
| LOCKED ROTOR AMPS | 44.6 | 35.8/41.2 | 20.6 | 16.4 |
| CORD SIZE | 12/3 | 12/4 | 14/4 | 14/4 |
| CORD TYPE | SOOW / SOW | SOOW / SOW | SOOW / SOW | SOOW / SOW |
| CORD O.D INCH (MM) | 0.610 (15.5) | 0.680 (17.4) | 0.570 (14.5) | 0.570 (14.5) |
| WEIGHT (LBS) | 145 | 145 | 145 | 145 |

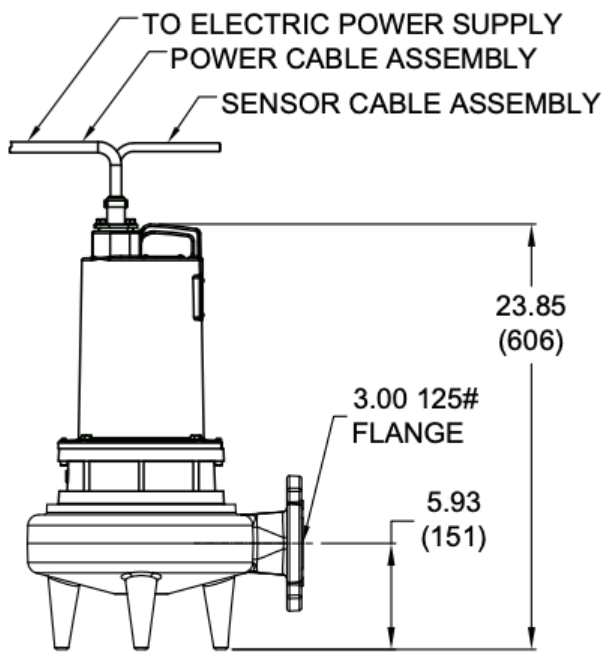
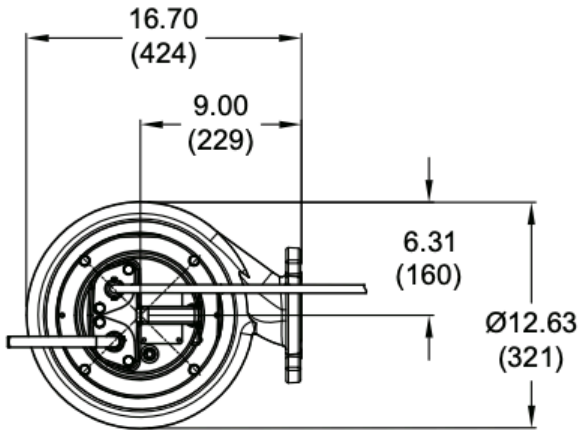


IMPORTANT

- 1.) PUMP MAY BE OPERATED "DRY" FOR EXTENDED PERIODS WITHOUT DAMAGE TO MOTOR AND/OR SEALS.
- 2.) INSTALLATIONS SUCH AS DECORATIVE FOUNTAINS OR WATER FEATURES PROVIDED FOR VISUAL ENJOYMENT MUST BE INSTALLED IN ACCORDANCE WITH THE NATIONAL ELECTRIC CODE ANSI/NFPA 70 AND/OR THE AUTHORITY HAVING JURISDICTION. THIS PUMP IS NOT INTENDED FOR USE IN SWIMMING POOLS, RECREATIONAL WATER PARKS, OR INSTALLATIONS IN WHICH HUMAN CONTACT WITH PUMPED MEDIA IS A COMMON OCCURRENCE.

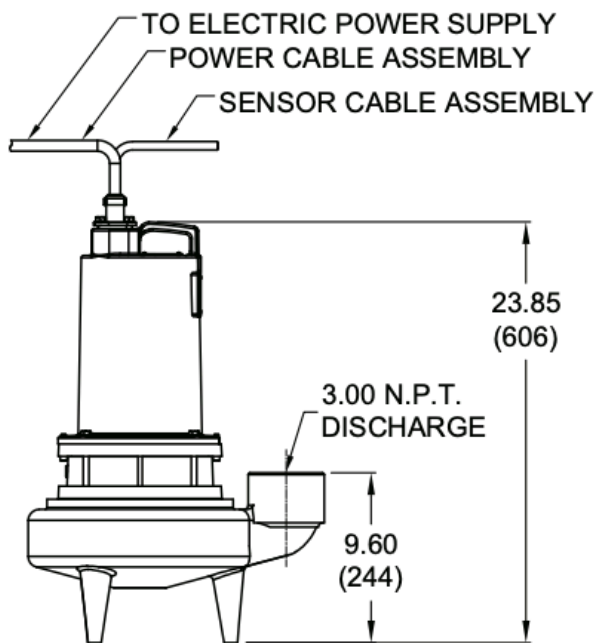
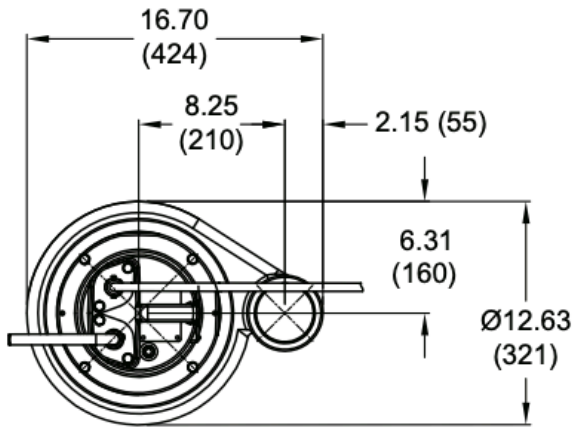
Drawings

Horizontal



All dimensions are in inches (mm)

Vertical



All dimensions are in inches (mm)