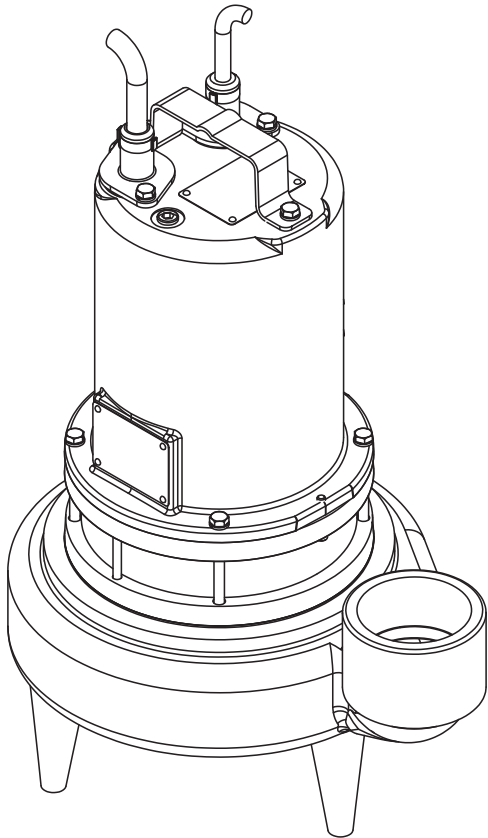


# BARNES®

## INSTALLATION and OPERATION MANUAL Submersible Sewage Ejector

Series: 3SE-DS  
1.5 & 2HP  
1750RPM, 60Hz

(Double Seal)



**IMPORTANT!**

*Read all instructions in this manual before operating pump.  
As a result of Crane Pumps & Systems, Inc. constant product improvement program,  
product changes may occur. As such Crane Pumps & Systems reserves the right to  
change product without prior written notification.*

**CRANE**<sup>®</sup>

A Crane Co. Company

**PUMPS & SYSTEMS**

420 Third Street  
Piqua, Ohio 45356  
Phone: (937) 778-8947  
Fax: (937) 773-7157  
www.cranepumps.com

83 West Drive, Brampton  
Ontario, Canada L6T 2J6  
Phone: (905) 457-6223  
Fax: (905) 457-2650



Form No. 132741-Rev. D

## TABLE OF CONTENTS

SAFETY FIRST .....	3
A. PUMP SPECIFICATIONS .....	4
B. GENERAL INFORMATION .....	5
C. INSTALLATION .....	5 - 6
ELECTRICAL DATA .....	7
D. START-UP OPERATION .....	6
E. PREVENTATIVE MAINTENANCE .....	6 - 8
F. SERVICE and REPAIR .....	8 - 11
G. REPLACEMENT PARTS.....	12
TRUBLE SHOOTING .....	14
CROSS-SECTION (Figure 11).....	15
EXPLODED VIEW (Figure 12).....	16
PARTS LIST .....	17 - 18
WARRANTY .....	19
WARRANTY REGISTRATION .....	20
RETURNED GOODS POLICY .....	20
SPECIAL TOOLS AND EQUIPMENT	
INSULATION TESTER (MEGGER)	
DIELECTRIC TESTER	
SEAL TOOL KIT ( see parts list)	
PRESSURE GAUGE KIT (see parts list)	

# SAFETY FIRST!

Please Read This Before Installing Or Operating Pump. This information is provided for **SAFETY** and to **PREVENT EQUIPMENT PROBLEMS**. To help recognize this information, observe the following symbols:



**IMPORTANT!** Warns about hazards that can result in personal injury or Indicates factors concerned with assembly, installation, operation, or maintenance which could result in damage to the machine or equipment if ignored.

**CAUTION !** Warns about hazards that can or will cause minor personal injury or property damage if ignored. Used with symbols below.

**WARNING !** Warns about hazards that can or will cause serious personal injury, death, or major property damage if ignored. Used with symbols below.



*Hazardous fluids can cause fire or explosions, burnes or death could result.*



*Extremely hot - Severe burnes can occur on contact.*



*Biohazard can cause serious personal injury.*



*Hazardous fluids can Hazardous pressure, eruptions or explosions could cause personal injury or property damage.*



*Rotating machinery Amputation or severe laceration can result.*



*Hazardous voltage can shock, burn or cause death.*

Only qualified personnel should install, operate and repair pump. Any wiring of pumps should be performed by a qualified electrician.



**WARNING !** - To reduce risk of electrical shock, pumps and control panels must be properly grounded in accordance with the National Electric Code (NEC) or the Canadian Electrical Code (CEC) and all applicable state, province, local codes and ordinances.



**WARNING!** - To reduce risk of electrical shock, always disconnect the pump from the power source before handling or servicing. Lock out power and tag.



**WARNING!** Operation against a closed discharge valve will cause premature bearing and seal failure on any pump, and on end suction and self priming pump the heat build may cause the generation of steam with resulting dangerous pressures. It is recommended that a high case temperature switch or pressure relief valve be installed on the pump body.



**CAUTION !** Never operate a pump with a plug-in type power cord without a ground fault circuit interrupter.



**CAUTION!** Pumps build up heat and pressure during operation-allow time for pumps to cool before handling or servicing.



**WARNING!** - **DO NOT** pump hazardous materials (flammable, caustic, etc.) unless the pump is specifically designed and designated to handle them.



Do not block or restrict discharge hose, as discharge hose may whip under pressure.



**WARNING!** - **DO NOT** wear loose clothing that may become entangled in the impeller or other moving parts.



**WARNING!** - Keep clear of suction and discharge openings. **DO NOT** insert fingers in pump with power connected.



Always wear eye protection when working on pumps.



Make sure lifting handles are securely fastened each time before lifting. **DO NOT** operate pump without safety devices in place. Always replace safety devices that have been removed during service or repair. Secure the pump in its operating position so it can not tip over, fall or slide.

**DO NOT** exceed manufacturers recommendation for maximum performance, as this could cause the motor to overheat.

**DO NOT** remove cord and strain relief. Do not connect conduit to pump.



**WARNING!** Cable should be protected at all times to avoid punctures, cut, bruises and abrasions - inspect frequently. Never handle connected power cords with wet hands.



**WARNING!** To reduce risk of electrical shock, all wiring and junction connections should be made per the NEC or CEC and applicable state or province and local codes. Requirements may vary depending on usage and location.



**WARNING!** Submersible Pumps are not approved for use in swimming pools, recreational water installations, decorative fountains or any installation where human contact with the pumped fluid is common.



**WARNING!** Products Returned Must Be Cleaned, Sanitized, Or Decontaminated As Necessary Prior To Shipment, To Insure That Employees Will Not Be Exposed To Health Hazards In Handling Said Material. All Applicable Laws And Regulations Shall Apply.



Bronze/brass and bronze/brass fitted pumps may contain lead levels higher than considered safe for potable water systems. Lead is known to cause cancer and birth defects or other reproductive harm. Various government agencies have determined that leaded copper alloys should not be used in potable water applications. For non-leaded copper alloy materials of construction, please contact factory.

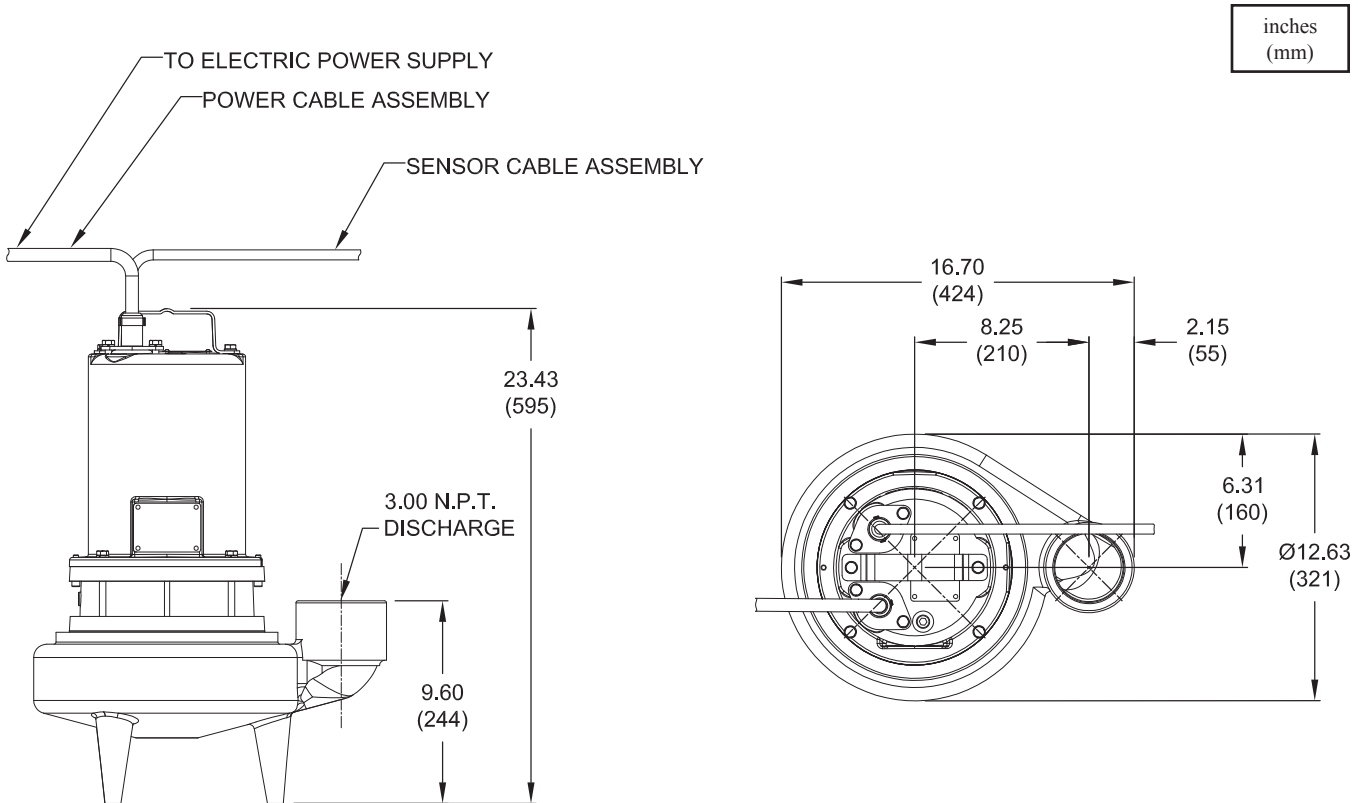


**IMPORTANT!** - Crane Pumps & Systems, Inc. is not responsible for losses, injury, or death resulting from a failure to observe these safety precautions, misuse or abuse of pumps or equipment.

SECTION: A - PUMP SPECIFICATIONS:

DISCHARGE ..... 3" NPT, Vertical  
 LIQUID TEMPERATURE.. 104°F (40°C) Continuous  
 MOTOR HOUSING ..... Cast Iron ASTM, Class 30  
 VOLUTE ..... Cast Iron ASTM, Class 30  
 SEAL PLATE ..... Cast Iron ASTM, Class 30  
 IMPELLER:  
     *Design* ..... 2 Vane, Open with Pump out vanes  
                     on Back side. Dynamically  
                     balanced, ISO G6.3  
     *Material* ..... Cast Iron, Class 25  
 SHAFT ..... 416 Stainless Steel  
 SQUARE RINGS ..... Buna-N  
 HARDWARE ..... 300 Series Stainless Steel  
 PAINT ..... Air dry enamel, top coat  
 SEAL     *Design* ..... Tandem Mechanical in oil filled  
                     reservoir  
             *Material* ..... Rotating Faces - Carbon  
                                 Stationary Faces - Ceramic  
                                 Elastomer - Buna-N  
                                 Hardware - 300 series stainless steel  
 CORD ENTRY ..... 30 ft. (9.1m) Cord. Quick connect  
                                 custom molded for sealing and strain  
                                 relief  
 SPEED ..... 1750RPM, 60Hz (nominal)

UPPER BEARING:  
     1.5 & 2HP ..... Single Row, Ball, Oil Lubricated  
     *Load* ..... Radial  
 LOWER BEARING:  
     *Design* ..... Single Row, Ball, Oil Lubricated  
     *Load* ..... Radial & Thrust  
 MOTOR:   *Design* ..... NEMA L, Single phase,  
                                 NEMA B, Three Phase Torque Curve,  
                                 Oil Filled, Squirrel Cage Induction  
             *Insulation* ..... Class B for 1.5 & 2HP  
                                 Class F on selected models  
 SINGLE PHASE ..... Permanent Split Capacitor (PSC)  
                                 includes overload protection in motor  
 THREE PHASE ..... 200-230/460, 60Hz is Tri voltage  
                                 motor, 575V. Requires overload  
                                 protection to be included in control  
                                 panel  
 MOISTURE SENSOR .... N/O, Requires relay in control panel  
 TEMP. SENSOR ..... N/C, Requires relay in control panel  
 OPTIONAL EQUIPMENT .. Seal Material, Impeller Trims,  
 Additional Cord.



**IMPORTANT !**

- 1.) PUMP MAY BE OPERATED "DRY" FOR EXTENDED PERIODS WITHOUT DAMAGE TO MOTOR AND/OR SEALS.
- 2.) THIS PUMP IS APPROPRIATE FOR THOSE APPLICATIONS SPECIFIED AS CLASS I DIVISION 2 HAZARDOUS LOCATIONS.
- 3.) THIS PUMP IS NOT APPROPRIATE FOR THOSE APPLICATIONS SPECIFIED AS CLASS I DIVISION 1 HAZARDOUS LOCATIONS.
- 4.) INSTALLATIONS SUCH AS DECORATIVE FOUNTAINS OR WATER FEATURES PROVIDED FOR VISUAL ENJOYMENT MUST BE INSTALLED IN ACCORDANCE WITH THE NATIONAL ELECTRIC CODE ANSI/NFPA 70 AND/OR THE AUTHORITY HAVING JURISDICTION. THIS PUMP IS NOT INTENDED FOR USE IN SWIMMING POOLS, RECREATIONAL WATER PARKS, OR INSTALLATIONS IN WHICH HUMAN CONTACT WITH PUMPED MEDIA IS A COMMON OCCURRENCE.

## SECTION B: GENERAL INFORMATION

### B-1) To the Purchaser:

Congratulations! You are the owner of one of the finest pumps on the market today. Barnes pumps are products engineered and manufactured of high quality components. Over one hundred years of pump building experience along with a continuing quality assurance program combine to produce a pump which will stand up to the toughest applications. This manual will provide helpful information concerning installation, maintenance, and proper service guidelines.

### B-2) Receiving:

Upon receiving the pump, it should be inspected for damage or shortages. If damage has occurred, file a claim immediately with the company that delivered the pump. If the manual is removed from the packaging, do not lose or misplace.

### B-3) Storage:

Short Term - Barnes Pumps are manufactured for efficient performance following short inoperative periods in storage. For best results, pumps can be retained in storage, as factory assembled, in a dry atmosphere with constant temperatures for up to six (6) months. Long Term- Any length of time exceeding six (6) months, but not more than twenty-four (24) months. The unit should be stored in a temperature controlled area, a roofed over walled enclosure that provides protection from the elements (rain, snow, wind-blown dust, etc.), and whose temperature can be maintained between +40°F and +120°F. (4.4° - 49°C). Pump should be stored in its original shipping container. On initial start-up, rotate impeller by hand to assure seal and impeller rotate freely. If it is required that the pump be installed and tested before the long term storage begins, such installation will be allowed provided:

- 1.) The pump is not installed under water for more than one (1) month.
- 2.) Immediately upon satisfactory completion of the test, the pump is removed, thoroughly dried, repacked in the original shipping container, and placed in a temperature controlled storage area.

### B-4) Service Centers:

For the location of the nearest Barnes Service Center, check your Barnes representative or Crane Pumps & Systems, Inc., Service Department in Piqua, Ohio, telephone (937) 778-8947 or Crane Pumps & Systems Canada, in Brampton, Ontario, (905) 457-6223.

## SECTION C: INSTALLATION

### C-1) Location:

These pumping units are self-contained and are recommended for use in a sump, lift station or basin. The sump, lift station or basin shall be vented in accordance with local plumbing codes. This pump is designed to pump sewage, effluent, or other nonexplosive or noncorrosive wastewater, and shall NOT be installed in locations classified as Class I Division 1 hazardous in accordance with the National Electrical Code (NEC), ANSI/NFPA 70 or The Canadian Electrical Code. Never install the pump in a trench, ditch or hole with a dirt bottom; the legs will sink into the dirt and the suction will become plugged.

### C-1.1) Submergence:

It is recommended that the pump be operated in the submerged condition and the sump liquid level should never be less than dimension "A" (see Figure 1).

### C-2) Discharge:

Discharge piping should be as short as possible. Both a check valve and a shut-off valve are recommended for each pump being used. The check valve is used to prevent back-flow into the sump. Excessive backflow can cause flooding and/or damage to the pump. The shut-off valve is used to stop system flow during pump or check valve servicing.

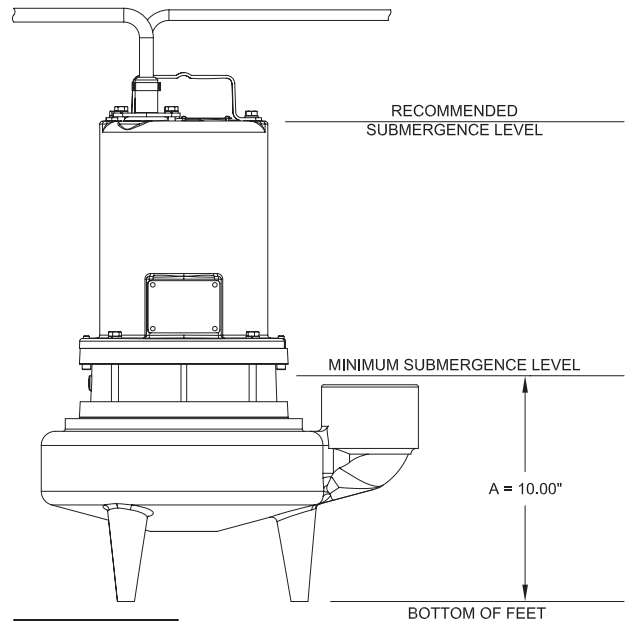


FIGURE 1

Barnes Pumps offers a Break Away Fitting (BAF) discharge system designed to allow the submersible wastewater pump to be installed or removed without requiring personnel to enter the wet well.

Place the BAF in position. Temporarily secure the guide rails in the upper mounting brackets and locate the base on the bottom of the wet well. Level the base with grout and/or shims. Install the intermediate support brackets, if required. Make sure the rails are in a true vertical position so the pump will clear the access opening and will slide freely down the rails into place on the discharge stationary fitting. Once the rails are in proper alignment, bolt the base into the floor of the station and connect the discharge pipe to the elbow.

Connect the movable portion and other supplied fittings of the BAF onto the pump and lower into wet well. See the Break Away Fitting manual for more information.

### C-3) Liquid Level Controls:

The level controls are to be supported by a mounting bracket that is attached to the sump wall, cover or junction box. Cord grips are used to hold the cords in place on the mounting bracket. The control level can be changed by loosening the grip and adjusting the cord length as per the plans and specifications. Be certain that the level controls cannot hang up or foul in it's swing and that the pump is completely submerged when the level control is in the "Off" mode.

#### C-4) Electrical Connections:

##### C-4.1) Power Cable:

The cord assembly mounted to the pump must not be modified in any way except for shortening to a specific application. Any splice between the pump and the control panel must be made in accordance with all applicable electric codes. It is recommended that a junction box, if used, be mounted outside the sump or be of at least NEMA 4 (EEMAC-4) construction if located within the wet well. Do not use the power cable to lift pump. **NOTE: THE WHITE WIRE IS NOT A NEUTRAL OR GROUND LEAD, BUT A POWER CARRYING CONDUCTOR.**

##### C-4.2) Control Cable:

The cord assembly mounted to the pump must not be modified in any way except for shortening to a specific application. Any splice between the pump and the control panel must be made in accordance with all applicable electric codes. It is recommended that a junction box, if used, be mounted outside the sump or be of at least NEMA 4 (EEMAC-4) construction if located within the wet well. Do not use the control cable to lift pump. **NOTE: THE WHITE WIRE IS NOT A NEUTRAL OR GROUND LEAD, BUT A POWER CARRYING CONDUCTOR.**

##### C-4.3) Overload Protection:

**C-4.3-1) Three Phase** - The normally closed (N/C) thermal sensor is embedded in the motor windings and will detect excessive heat in the event an overload condition occurs. The thermal sensor will trip when the windings become too hot and will automatically reset itself when the pump motor cools to a safe temperature. It is recommended that the thermal sensor be connected in series to an alarm device to alert the operator of an overload condition, and/or the motor starter coil to stop the pump. In the event of an overload, the source of this condition should be determined and rectified immediately. **DO NOT LET THE PUMP CYCLE OR RUN IF AN OVERLOAD CONDITION OCCURS !**

**C-4.3-2) Single Phase** - The type of in-winding overload protector used is referred to as an inherent overheating protector and operates on the combined effect of temperature and current. This means that the overload protector will trip out and shut the pump off if the windings become too hot, or the load current passing through them becomes too high. It will then automatically reset and start the pump up after the motor cools to a safe temperature. In the event of an overload, the source of this condition should be determined and rectified immediately. **DO NOT LET THE PUMP CYCLE OR RUN IF AN OVERLOAD CONDITION OCCURS !**

If current through the temperature sensor exceeds the values listed, an intermediate control circuit relay must be used to reduce the current or the sensor will not work properly.

TEMPERATURE SENSOR ELECTRICAL RATINGS		
Volts	Continuous Amperes	Inrush Amperes
220-240	1.50	15.0
440-480	0.75	7.5
575-600	0.60	6.0

##### C-4.3-3) Moisture Sensors:

A normally open (N/O) detector is installed in the pump seal chamber which will detect any moisture present. It is recommended that this detector be connected in series to an alarm device or the motor started coil to alert the operator that a moisture detect has occurred. In the event of a moisture detect, check the individual moisture sensor probe leads for continuity, ( $\infty$  resistance = no moisture) and the junction box/control box for moisture content. The above situations may induce a false signal in the moisture detecting circuit. If none of the above tests prove conclusive, the pump(s) should be pulled and the source of the failure identified and repaired. **IF A MOISTURE DETECT HAS OCCURRED SCHEDULE MAINTENANCE AS SOON AS POSSIBLE.**

##### C-4.4) Wire Size:

Consult a qualified electrician for proper wire size if additional power cable length is required. See table for electrical information.

### SECTION: D START-UP OPERATION

#### D-1) Check Voltage and Phase:

Before operating pump, compare the voltage and phase information stamped on the pump identification plate to the available power.

#### D-2) Check Pump Rotation:

Before putting pump into service for the first time, the motor rotation must be checked. Improper motor rotation can result in poor pump performance and can damage the motor and/or pump. To check the rotation, suspend the pump freely, momentarily apply power and observe the "kickback". "Kickback" should always be in a counter-clockwise direction as viewed from the top of the pump motor housing.

##### D-2.1) Incorrect Rotation for Three-Phase Pumps:

In the event that the rotation is incorrect for a three-phase installation, interchange any two power cable leads at the control box. DO NOT change leads in the cable housing in the motor. Recheck the "kickback" rotation again by momentarily applying power.

##### D-2.2) Incorrect Rotation for Single-Phase Pumps:

In the unlikely event that the rotation is incorrect for a single phase pump, contact a Barnes Service Center.

#### D-3.1) Identification Plate:

Record the numbers from the pump identification plate for future reference.

#### D-3.2) Insulation Test:

Before the pump is put into service, an insulation (megger) test should be performed on the motor. The resistance values (ohms) as well as the voltage (volts) and current (amps) should be recorded.

#### D-3.3) Pump-Down Test:

After the pump has been properly wired and lowered into the basin, sump or lift station, it is advisable to check the system by filling with liquid and allowing the pump to operate through its pumping cycle. The time needed to empty the system, or pump-down time along with the volume of water, should be recorded.

MODEL NO	HP	VOLT/PH	Hz	RPM (Nom)	NEMA START CODE	INSUL. CLASS	FULL LOAD AMPS	LOCKED ROTOR AMPS	CORD SIZE	CORD TYPE	CORD O.D inch (mm)	WINDING RESISTANCE	
												EMERSON MAIN-START	REGAL BELOIT MAIN-START
3SE1524DS	1.5	230/1	60	1750	C	F	16.0	44.6	12/3	SOOW / SOW	0.61 (15.5)	1.21 - 2.80	---
3SE1594DS	1.5	200-230/3	60	1750	D/G	F	13.3/11.6	35.8/41.2	12/4	SOOW / SOW	0.68 (17.4)	2.21	2.23
3SE1544DS	1.5	460/3	60	1750	G	F	5.8	20.6	14/4	SOOW / SOW	0.57 (14.5)	8.84	8.92
3SE1554DS	1.5	575/3	60	1750	G	B	4.6	16.4	14/4	SOOW / SOW	0.57 (14.5)	13.79	13.95
3SE2024DS	2.0	230/1	60	1750	A	F	19.0	44.6	10/3	SOOW / SOW	0.66 (16.8)	1.21 - 2.80	1.35 - 4.20
3SE2094DS	2.0	200-230/3	60	1750	B/D	F	15.2/13.2	35.8/41.2	12/4	SOOW / SOW	0.68 (17.4)	2.21	2.23
3SE2044DS	2.0	460/3	60	1750	D	F	6.6	20.6	14/4	SOOW / SOW	0.57 (14.5)	8.84	8.92
3SE2054DS	2.0	575/3	60	1750	D	B	5.2	16.4	14/4	SOOW / SOW	0.57 (14.5)	13.79	13.95

Winding Resistance  $\pm$  5%, measured from terminal block. Pump rated for operation at  $\pm$  10% voltage at motor Temperature/moisture sensor cord for 3 phase models are 18-5 SOOW/SOW, 0.47 (11.9mm) O.D.

## SECTION E: PREVENTATIVE MAINTENANCE

As the motor is oil filled, no lubrication or other maintenance is required, and generally Barnes Pumps will give very reliable service and can be expected to operate for years on normal sewage pumping without failing. However as with any mechanical piece of equipment a preventive maintenance program is recommended and suggested to include the following checks:



**WARNING ! - Pressure builds up due to heat.**

- 1) Inspect motor chamber for oil level and contamination and repair as required per section F-1.
- 2) Inspect impeller and body for excessive build-up or clogging and repair as required per section F-2.
- 3) Inspect motor and bearings and replace as required per section F-3.
- 4) Inspect seal for wear or leakage and repair as required per section F-4.

## SECTION F: SERVICE AND REPAIR

**NOTE: All item numbers in ( ) refer to Figures 11 & 12.**

### F-1) Lubrication:

Anytime the pump is removed from operation, the cooling oil in the motor housing (5) should be checked visually for oil level and contamination.

#### F-1.1) Checking Oil:

**Motor Housing** - To check oil, set unit upright. Remove pipe plug (20) from housing (5). With a flashlight, visually inspect the oil in the motor housing (5) to make sure it is clean and clear, light amber in color and free from suspended particles. Milky white oil indicates the presence of water. Oil level should be just above the motor when pump is in a vertical position.

#### F-1.2) Testing Oil:

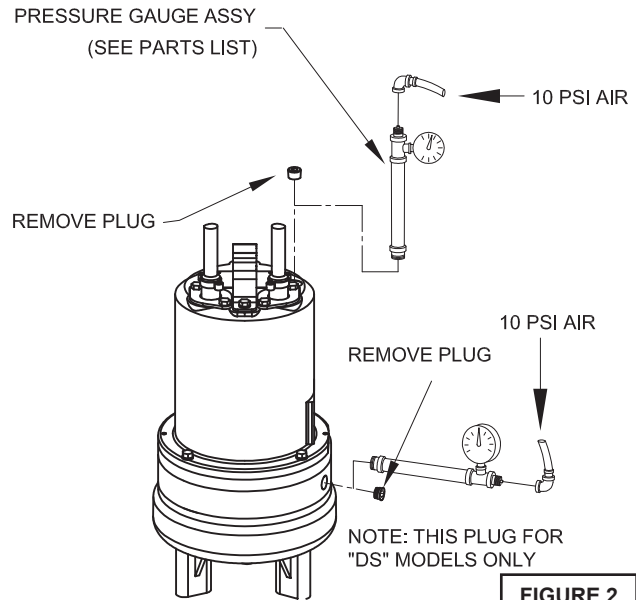
1. Place pump on it's side, remove pipe plug (20), from motor housing (5) and drain oil into a clean, dry container.
2. Check oil for contamination using an oil tester with a range to 30 Kilovolts breakdown.
3. If oil is found to be clean and uncontaminated (measure above 15 KV. breakdown), refill the motor housing as per section F-1.4.
4. If oil is found to be dirty or contaminated (or measures below 15 KV. breakdown), the the pump must be carefully inspected for leaks at the shaft seal (34), cable assemblies (35) and 42, square ring (8) and pipe plug (20) before refilling with oil. To locate the leak, perform a pressure test as per section F-1.3. After leak is repaired, refill with new oil as per section F-1.4.

#### F-1.3) Pressure Test:

**Pumps that have had the oil drained from the Motor Housing** - Apply pipe sealant to pressure gauge assembly and tighten into pipe plug hole (See Figure 2). Pressurize motor housing to 10 P.S.I. Use soap solution around the sealed areas and inspect joints for "air bubbles". If, after five minutes, the pressure is still holding constant, and no "bubbles" are observed, slowly bleed the pressure and remove the gauge assembly. Replace oil as described in section F-1.4. If the pressure does not hold, then the leak must be located and repaired.

**Pumps that have NOT had the oil drained from the Motor Housing** - The pressure test may be done with the oil at its normal level. Remove pipe plug (20) from motor housing (5). Apply pipe sealant to pressure gauge assembly and tighten into hole (see Figure 2). Pressurize motor housing to 10 P.S.I. Use soap solution around the sealed areas above the oil level and inspect joints for "air bubbles". For sealed areas below the oil level, leaks will seep oil.

If, after five minutes, the pressure is still holding constant, and no "bubbles"/oil seepage is observed, slowly bleed the pressure and remove the gauge assembly. If the pressure does not hold, then the leak must be located and repaired.



**FIGURE 2**



**CAUTION ! - Pressure builds up extremely fast, increase pressure by "TAPPING" air nozzle. Too much pressure will damage seal. DO NOT exceed 10 P.S.I.**

**Seal Chamber** - Set unit on its side with fill plug (20) downward, remove plug (20) and drain all oil from seal chamber. Apply pipe sealant to pressure gauge assembly and tighten into hole in spacer ring (26). Pressurize seal chamber to 10 P.S.I. and check for leaks as outlined above.

#### F-1.4) Replacing Oil:

**Motor Housing** - Set unit upright and refill with new cooling oil as per Table 1 (see parts list for amount). Fill to just above motor as an air space must remain in the top of the motor housing to compensate for oil expansion (see Figure 2, 11 or 12). Apply pipe thread compound to threads of pipe plug (20) then assemble to motor housing (5).



**IMPORTANT! - For single phase units, oil level should be below capacitor.**

**Seal Chamber** - Set unit on its side, with plug (20) upward, and refill with new oil as per Table 1 (see parts list for amount). Apply pipe thread compound to threads of pipe plug (20) and assemble to spacer ring (26).





**WARNING ! - DO NOT overfill oil.**  
**Overfilling of motor housing with oil can create excessive and dangerous hydraulic pressure which can destroy the pump and create a hazard. Overfilling oil voids warranty.**

TABLE 1 - COOLING OIL - Dielectric	
SUPPLIER	GRADE
Sohio / Standard	SE 40, Energol HL22 or HL32
Shell	Turbo Oil 32
Texaco	Rando HD32, 522
Sun Petroleum	Supar 110, Sunvis 816WR, 911 or 916
Mobile	D.T.E. Oil Light or Rubrex 200
G&G	Circu Oil 22
Allegheny Petroleum	Altrapar 22
Woco	Premium 100

## F-2) Impeller and Volute Service:

### F-2.1) Disassembly and Inspection:

To clean out volute (24) or replace impeller (33), disconnect power, remove screws (13), and lockwashers (12), vertically lift motor and seal plate assembly from volute (24). Clean out volute if necessary. Clean and examine impeller (33), for pitting or wear and replace if required, inspect gasket (11) and replace if cut or damaged. If the impeller (33) needs replacing, remove nut (3), place a flat screwdriver in the slot of the end of the shaft to hold the shaft stationary while unscrewing the impeller (33). (See Figure 11 or 12)

### F-2.2) Reassembly:

To install impeller (33), screw impeller onto the shaft hand tight. Clean the threads with Loctite cleaner. Apply thread locking compound to shaft threads and install nut (3). Torque to 40 ft. lbs. Rotate impeller to check for binding. Position gasket (11) on volute flange and position impeller and motor housing on volute (24). Position lockwashers (12) on cap screws (13) and screw into volute (24). Torque to 8 ft. lbs. Check for free rotation of motor and impeller. (See Figure 11 or 12)

## F-3) Motor and Bearing Service:

### F-3.1) Disassembly and Inspection:

To examine or replace the motor (21), capacitor (22, single phase units), and bearing (6), drain oil from motor as outlined in paragraph F-1.2. Disassemble volute and impeller as outlined in paragraph F-2.1 and disassemble shaft seal as outlined in paragraph F-4.1. (See Figure 3, 4, and 11) Position unit upright, using blocks to avoid resting unit on shaft. Unscrew cable hex bolts (17) and remove compression flange (35a) and power cord (35). Remove snap ring (38) with a flat head screwdriver. Pull the terminal block (37) out of the housing (5) using a T-bolt or pair of pliers and a .25-20 screw in the threads of the terminal block (37). Be sure to leave slack on the motor leads connected underneath. Use needle nose pliers to pull each female connector off of the pins on the underside of the terminal block (37) (see Figure 5). The unit voltage should be noted. Repeat cable and terminal removal procedure for any control cables (42). Remove socket head cap screws (9). Vertically lift upper pump assembly from seal plate (1) and spacer ring (26) by lifting handle (18). Inspect square rings (8) for damage or cuts. Disassemble inner seal assembly (34) as outlined in

paragraph F-4.1. Remove socket head cap screws (10). Vertically lift the motor housing (5) from seal plate (4) by lifting handle (18). Inspect square ring (8) for damage or cuts. Remove the motor bolts and lift motor stator from seal plate (4). Disconnect capacitor leads from capacitor (22, single phase units). Examine bearing (6) and replace if required. If replacement is required, remove bearing (6) from motor shaft using a wheel puller or arbor press, see Figure 4.

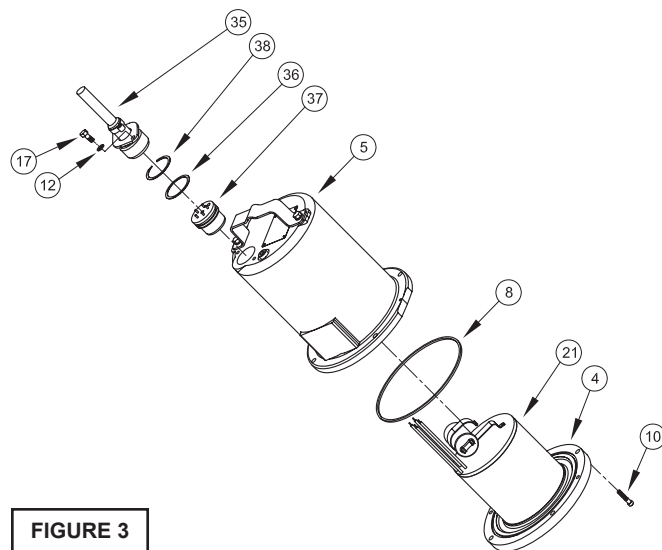


FIGURE 3

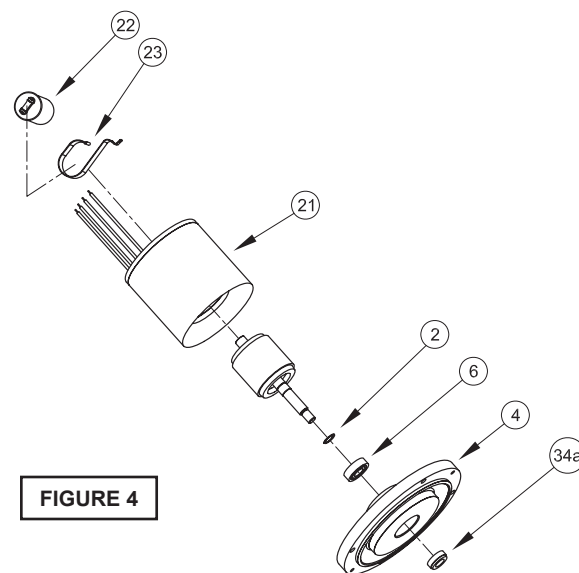
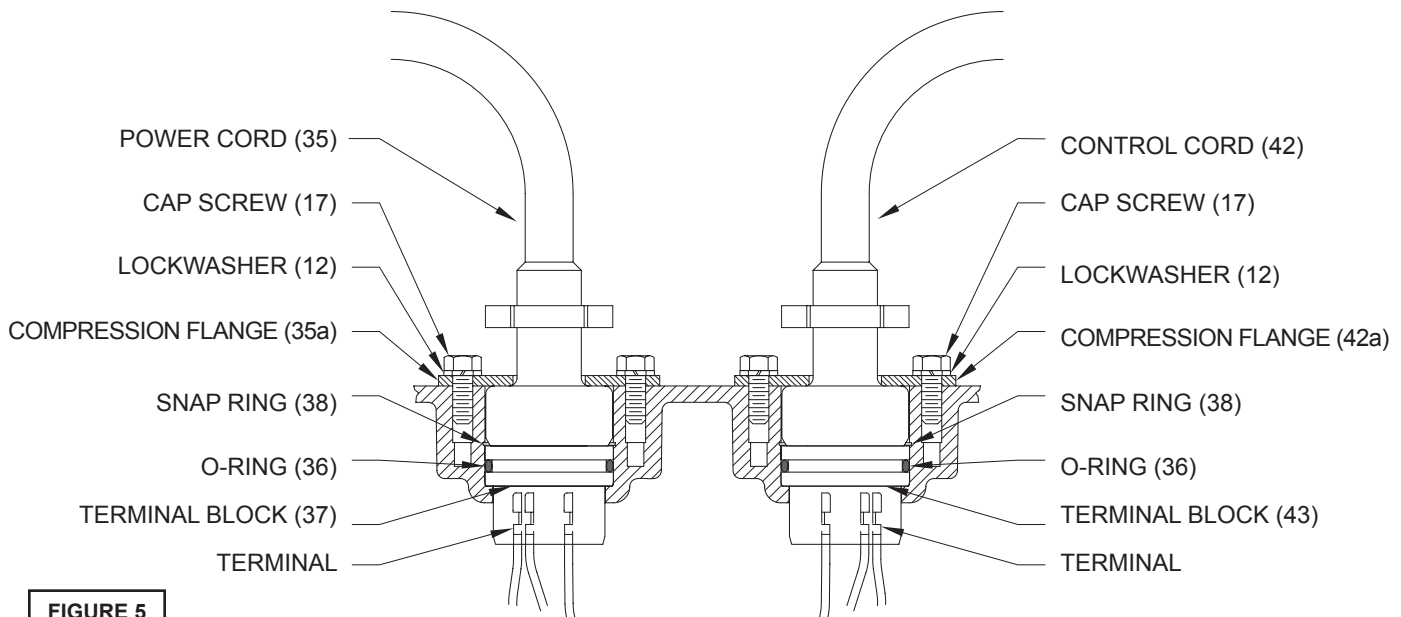


FIGURE 4

Check motor capacitor (22, single phase units) with an Ohm meter by first grounding the capacitor by placing a screwdriver across both terminals and then removing screwdriver. Connect Ohm meter (set on high scale) to terminals. If needle moves to infinity ( $\infty$ ) then drifts back, the capacitor is good. If needle does not move or moves to infinity ( $\infty$ ) and does not drift back, replace capacitor (22). To test the temperature sensor (W1/W2), check for continuity between the wire leads (see Figure 10). If found to be defective, contact a motor service station or Barnes Pumps Service department. Inspect motor winding for shorts and check resistance values. Check rotor for wear. If rotor or the stator windings are defective, the complete motor must be replaced.



**FIGURE 5**



**IMPORTANT!** - All parts must be clean before reassembly.

**F-3.2) Reassembly:**

**Bearing** - When replacing bearing, be careful not to damage the rotor or shaft threads. Clean the shaft thoroughly. Apply adhesive compound to the shaft and press bearing (6) on the motor shaft, position squarely onto the shaft applying force to the inner race of the bearing only, until bearing seats against the retaining ring (2).

**Moisture Sensors** - If pump is equipped with moisture sensors, reassemble by applying thread compound to threads on probes (27) and install in upper seal plate (4), see Figure 12. Connect wire assemblies (29 & 30) to probes (27) with washers (32) and machine screws (31).

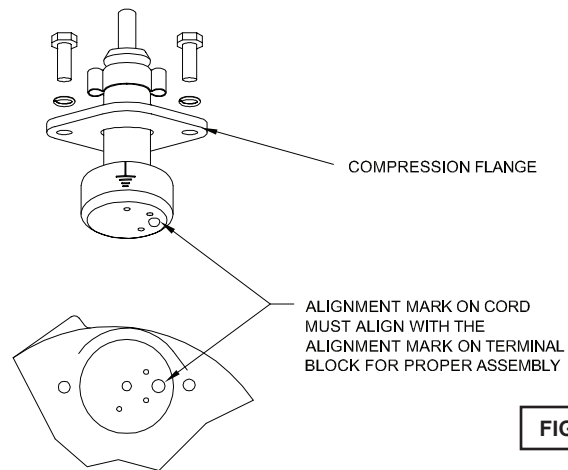
**Thermal Sensors** - Pump is equipped with Thermal Sensor. Connect sensor leads to terminal block (43) as shown in Figure 10. If sensor is not functioning, contact factory approved service center or contact factory service department.

**Motor** - Slide lower bearing (6) and motor shaft squarely into the seal plate (4) until bearing seats on the bottom. Place stator over rotor, lining up motor bolts with holes in seal plate (4). Position capacitor (22, single phase units) so that it will lay on the opposite side of the cable entry bosses of the motor housing (5). Reconnect capacitor leads. Torque motor tie bolts to 17 in-lbs. Set square ring (8) in groove on seal plate (4).

**F-3.3) Wiring Connections:**

Check power cables (35) and control cable (42), for cracks or damage and replace if required (see Figure 5). Make internal wiring connections which are independent of the terminal block as shown in (Figure 10), using connectors (15), terminal (16) and wire assemblies (19) as required. Do not use wire nuts. Slip motor leads and ground wire through fiberglass sleeve. Lower motor housing (5) down onto seal plate (4) while aligning holes and stringing motor leads through the cable entry bore(s). (Slipping cords inside a 1 ft. length of .5"

conduit makes this easier). Place socket head cap screws into motor housing (5) and torque to 60 in-lbs. Install inner seal assembly as outlined in paragraph F-4.2. Install square ring (8), spacer ring (26), square ring (8) in position on pump. Place socket head cap screws (9) through outer seal plate (1) and torque to 60 in-lbs.



**FIGURE 6**

Reconnect motor and control leads to the underside of the terminal block(s) (37), (43) as shown in Figure 5. Note that the pins are numbered underneath the terminal block. Place o-ring (36) into groove in terminal block and lubricate with dielectric oil. Press the terminal blocks (37) (42) into the housing so it seats completely below the snap ring groove. Place snap ring (38) into groove in cable entry bore of housing. Repeat terminal block installation for control cable, if equipped.

**F-3.4) Cable Assemblies:**

**Power/Control Cable-** Refill the cooling oil as outlined in paragraph F-1.4. Make wire connections as outlined in paragraph F-3.3. Insert female end of cable plug into housing bore aligning timing mark with hole in terminal block (37) (43) (see Figure 6). Compress cable plug with compression flange (35a)(42a) by tightening cap screws (17) into the housing (5). Torque to 132 in-lbs.

#### F-4) Shaft Seal Service:

**Important!** - Handle seal parts with extreme care. DO NOT scratch or mar lapped surfaces.

##### F-4.1) Disassembly and Inspection:

**Outer Seal** - To expose shaft seal (34) for examination disassemble volute and impeller as outlined in paragraph F-2.1. If further repair is required remove retaining ring (34d), spring (34c) and rotating member (34b) from shaft (see Figure 9). Examine all seal parts and especially contact faces. Inspect seal for signs of wear such as uneven wear pattern on stationary members, chips and scratches on either seal face.

**Inner Seal** - To expose inner shaft seal (34) for examination, remove outer seal as outlined above. Remove socket head cap screws (8). Lift outer seal plate (1), square ring (8), spacer ring (26) and square ring (8) from inner seal plate (4) See Figure 12. If further repair is required, remove snap ring (41), retaining ring (34d), spring (34c) and rotating member (34b) from shaft. Examine as outlined in outer seal paragraph. If replacing seal, remove stationary (34a) by prying out with flat screwdriver.

**DO NOT** interchange seal components, replace the entire shaft seal (34). If replacing seal, remove stationary (34a) by prying out with flat screw driver.

##### F-4.2) Reassembly:

**Inner Seal**- Clean and oil seal cavities in seal plates (1, 4). Lightly oil (**DO NOT use grease**) outer surface of stationary member (34a). Press stationary member (34a) firmly into inner seal plate (4), using a seal pusher (see parts list - seal tool kit). Nothing but the seal pusher is to come in contact with seal face (see Fig 9). Assemble pump as outlined in paragraph F-3.3.

**Important!** - DO NOT Hammer On The Seal Pusher - It Will Damage The Seal Face.

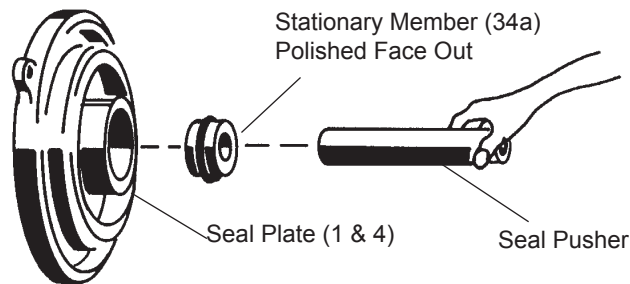


FIGURE 7

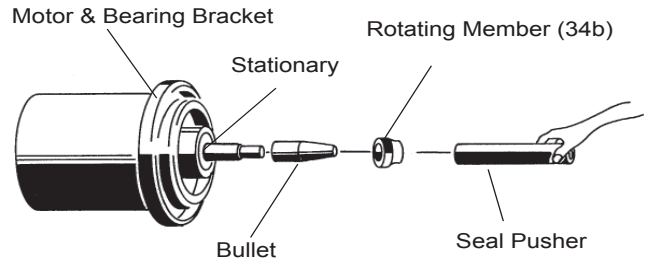


FIGURE 8

**Outer Seal** - Press stationary member (34a) firmly into outer seal plate (1) as described above. Slide rotating member (34b) onto stationary member using seal pusher as described above. Place spring (34c) and retaining ring (34d) onto rotating member (34b). Assemble impeller and volute as outlined in paragraph F-2.2. Replace oil as outlined in paragraph F-1.4.

Make sure the stationary member is in straight. Slide a bullet (see parts list-seal tool kit) over motor shaft. Lightly oil (**DO NOT use grease**) shaft, bullet and inner surface of bellows on rotating member (34b) (see Figure 8). With polished surface of rotating member (34b) facing inward toward stationary member (34a), slide rotating member (34b) over bullet and onto shaft, using seal pusher, until polished faces of (34a) and (34b) are together (see Figure 9).

It is extremely important to keep seal faces clean during assembly. Dirt particles lodged between these faces will cause the seal to leak.

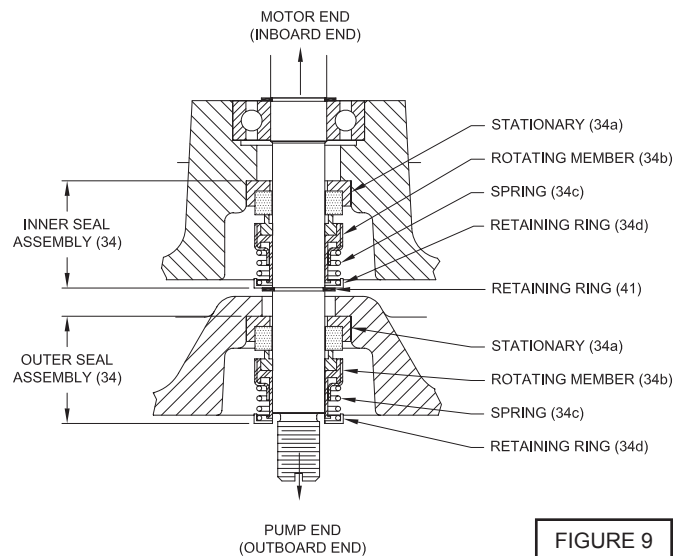


FIGURE 9

**SECTION: G REPLACEMENT PARTS**

**G-1 ORDERING REPLACEMENT PARTS:**

When ordering replacement parts, ALWAYS furnish the following information:

1. Pump serial number and date code. (Paragraph G-4)
2. Pump model number. (Paragraph G-3)
3. Pump part number. (Paragraph G-2)
4. Part description.
5. Item part number.
6. Quantity required.
7. Shipping instructions.
8. Billing Instructions.

**G-2 PART NUMBER:**

The part number consists of a six (6) digit number, which appears in the catalog. A one or two letter suffix may follow this number to designate the design configuration. This number is used for ordering and obtaining information.

**G-3 MODEL NUMBER:**

This designation consists of numbers and letters which represent the discharge size, series, horsepower, motor phase and voltage, speed and pump design. This number is used for ordering and obtaining information.


**G-4 SERIAL NUMBER:**

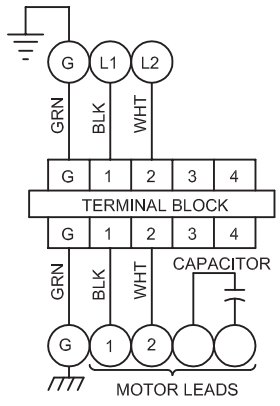
The serial number block will consist of a six digit number, which is specific to each pump and may be preceded by a alpha character, which indicates the plant location. This number will also be suffixed with a four digit number, which indicates the date the unit was built (Date Code). EXAMPLE: A012345 0490.

Reference the six digit portion (Serial Number) of this number when referring to the product.

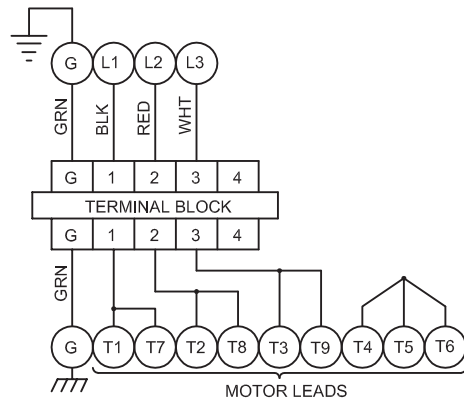
<b>CRANE</b> <b>PUMPS &amp; SYSTEMS</b> <small>Plus Other</small> <b>105500C</b>	HP.	Volts	Code	Ph.	Hz.
	RPM	FLA	Model No.	②	
	Part No.	③		Serial No.	①
	Impeller Dia.	Max. Liq. Temp.	°C	Ins. Class	

**BARNES**  
 WARNING TO REDUCE RISK OF ELECTRICAL SHOCK DISCONNECT THE PUMP FROM THE POWER SOURCE BEFORE HANDLING OR SERVICING. SEE INSTRUCTION MANUAL FOR PROPER INSTALLATION. SEE WARNING PLATE FOR ADDITIONAL CAUTIONS.

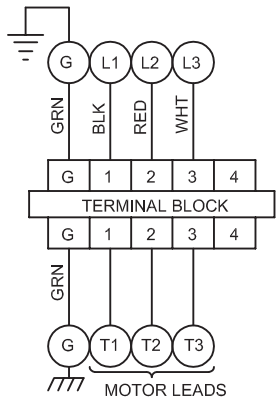
  
**LR16567**



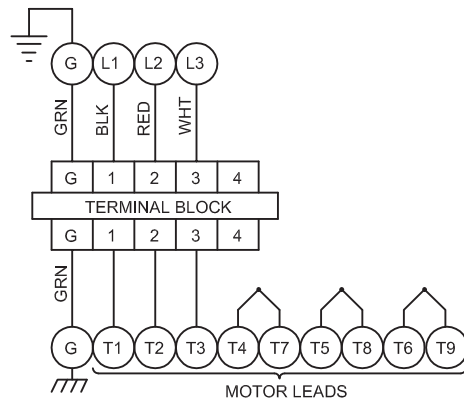
SINGLE PHASE - 230 VOLT AC



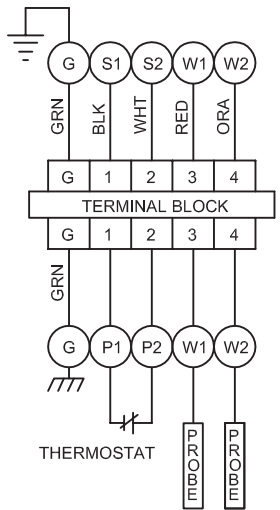
THREE PHASE - 200/230 VOLT AC



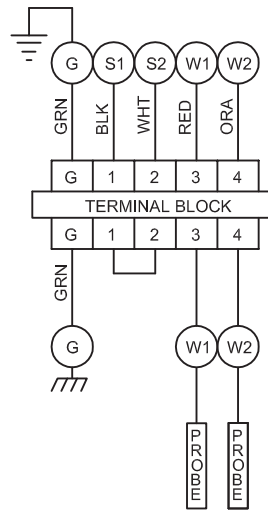
THREE PHASE - 575 VOLT AC



THREE PHASE - 460 VOLT AC



TEMPERATURE / MOISTURE SENSORS (THREE PHASE )



TEMPERATURE / MOISTURE SENSORS (SINGLE PHASE )

FIGURE 10

## TROUBLE SHOOTING

**CAUTION ! Always disconnect the pump from the electrical power source before handling.**

If the system fails to operate properly, carefully read instructions and perform maintenance recommendations.

If operating problems persist, the following chart may be of assistance in identifying and correcting them:

**MATCH "CAUSE" NUMBER WITH CORRELATING "CORRECTION" NUMBER.**

**NOTE:** Not all problems and corrections will apply to each pump model.

PROBLEM	CAUSE	CORRECTION
Pump will not run	<ol style="list-style-type: none"> <li>1. Poor electrical connection, blown fuse, tripped breaker or other interruption of power, improper power supply.</li> <li>2. Motor or switch inoperative (to isolate cause, go to manual operation of pump).                             <ol style="list-style-type: none"> <li>2a. Float movement restricted.</li> <li>2b. Switch will not activate pump or is defective.</li> <li>2c. Defective motor</li> </ol> </li> <li>3. Insufficient liquid level.</li> </ol>	<ol style="list-style-type: none"> <li>1. Check all electrical connections for security. Have electrician measure current in motor leads, if current is within <math>\pm 20\%</math> of locked rotor Amps, impeller is probably locked. If current is 0, overload may be tripped. Remove power, allow pump to cool, then recheck current.</li> <li>2a. Reposition pump or clean basin as required to provide adequate clearance for float.</li> <li>2b. Disconnect level control. Set ohmmeter for a low range, such as 100 ohms full scale and connect to level control leads. Actuate level control manually and check to see that ohmmeter shows zero ohms for closed switch and full scale for open switch. (Float Switch).</li> <li>2c. Check winding insulation (Megger Test) and winding resistance. If check is outside of range, dry and recheck. If still defective, replace per service instructions.</li> <li>3. Make sure liquid level is at least equal to suggested turn-on point.</li> <li>4. Recheck all sizing calculations to determine proper pump size.</li> <li>5. Check discharge line for restrictions, including ice if line passes through or into cold areas.</li> <li>6. Remove and examine check valve for proper installation and freedom of operation.</li> <li>7. Open valve.</li> <li>8. Check impeller for freedom of operation, security and condition. Clean impeller and inlet of any obstruction.</li> <li>9. Loosen union slightly to allow trapped air to escape. Verify that turn-off level of switch is set so that the suction is always flooded. Clean vent hole.</li> <li>10. Check rotation. If power supply is three phase, reverse any two of three power supply leads to ensure proper impeller rotation.</li> <li>11. Repair fixtures as required to eliminate leakage.</li> <li>12. Check pump temperature limits &amp; fluid temperature.</li> <li>13. Replace portion of discharge pipe with flexible connector.</li> <li>14. Turn to automatic position.</li> <li>15. Check for leaks around basin inlet and outlets.</li> </ol>
Pump will not turn off	<ol style="list-style-type: none"> <li>2a. Float movement restricted.</li> <li>2b. Switch will not activate pump or is defective.</li> <li>4. Excessive inflow or pump not properly sized for application.</li> <li>9. Pump may be airlocked</li> <li>14. H-O-A switch on panel is in "HAND" position</li> </ol>	
Pump hums but does not run	<ol style="list-style-type: none"> <li>1. Incorrect voltage</li> <li>8. Impeller jammed or loose on shaft, worn or damaged, impeller cavity or inlet plugged.</li> </ol>	
Pump delivers insufficient capacity	<ol style="list-style-type: none"> <li>1. Incorrect voltage.</li> <li>4. Excessive inflow or pump not properly sized for application.</li> <li>5. Discharge restricted.</li> <li>6. Check valve stuck closed or installed backwards.</li> <li>7. Shut-off valve closed.</li> <li>8. Impeller jammed or loose on shaft, worn or damaged, impeller cavity or inlet plugged.</li> <li>9. Pump may be airlocked.</li> <li>10. Pump running backwards</li> </ol>	
Pump cycles too frequently or runs periodically when fixtures are not in use	<ol style="list-style-type: none"> <li>6. Check valve stuck closed or installed backwards.</li> <li>11. Fixtures are leaking.</li> <li>15. Ground water entering basin.</li> </ol>	
Pump shuts off and turns on independent of switch, (trips thermal overload protector). <b>CAUTION!</b> Pump may start unexpectedly. Disconnect power supply.	<ol style="list-style-type: none"> <li>1. Incorrect voltage.</li> <li>4. Excessive inflow or pump not properly sized for application.</li> <li>8. Impeller jammed, loose on shaft, worn or damaged, impeller cavity or inlet plugged.</li> <li>12. Excessive water temperature. (internal protection only)</li> </ol>	
Pump operates noisily or vibrates excessively	<ol style="list-style-type: none"> <li>2c. Worn bearings, motor shaft bent.</li> <li>5. Debris in impeller cavity or broken impeller</li> <li>10. Pump running backwards</li> <li>13. Piping attachments to building structure too rigid or too loose.</li> </ol>	

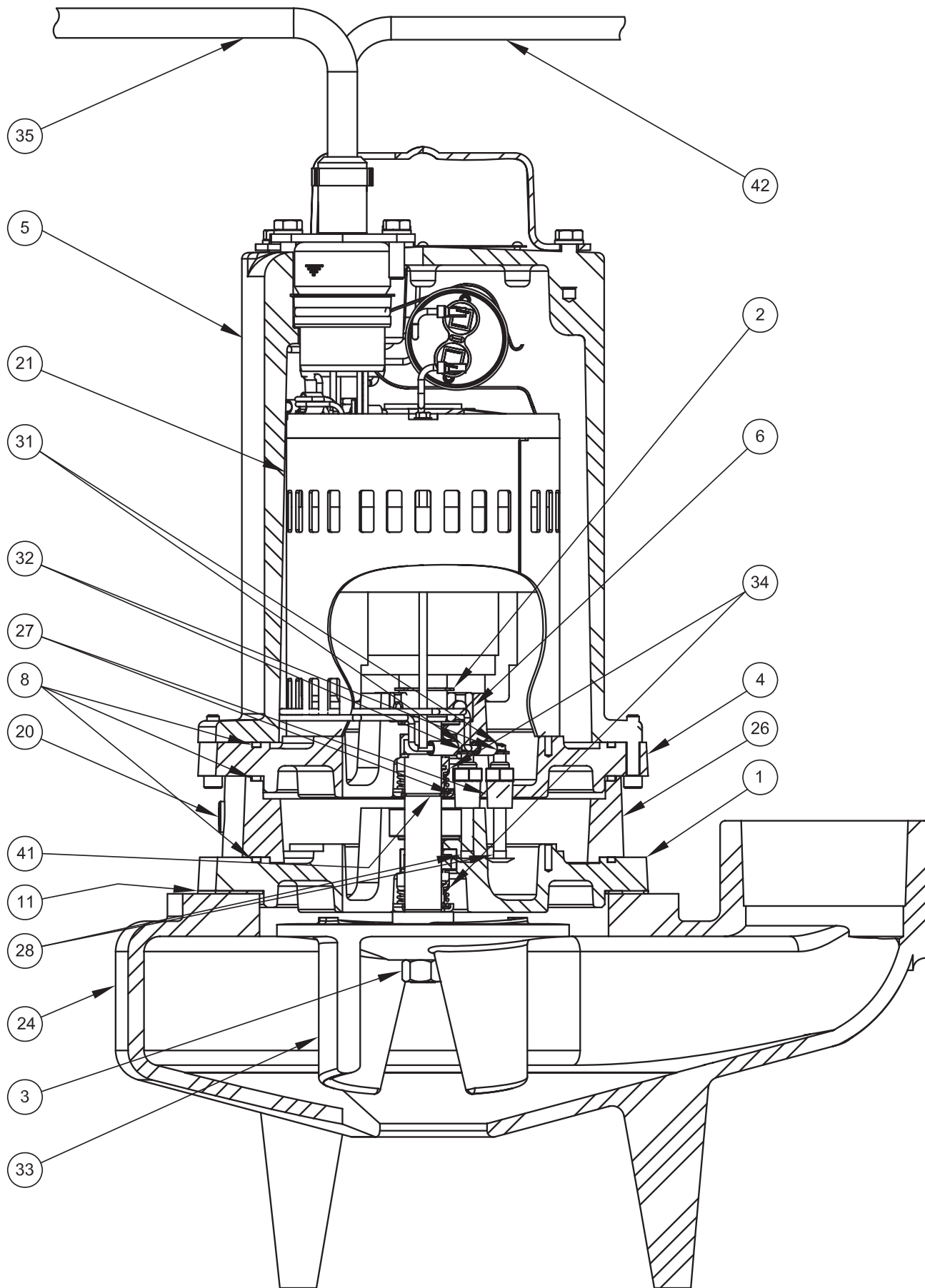


FIGURE 11

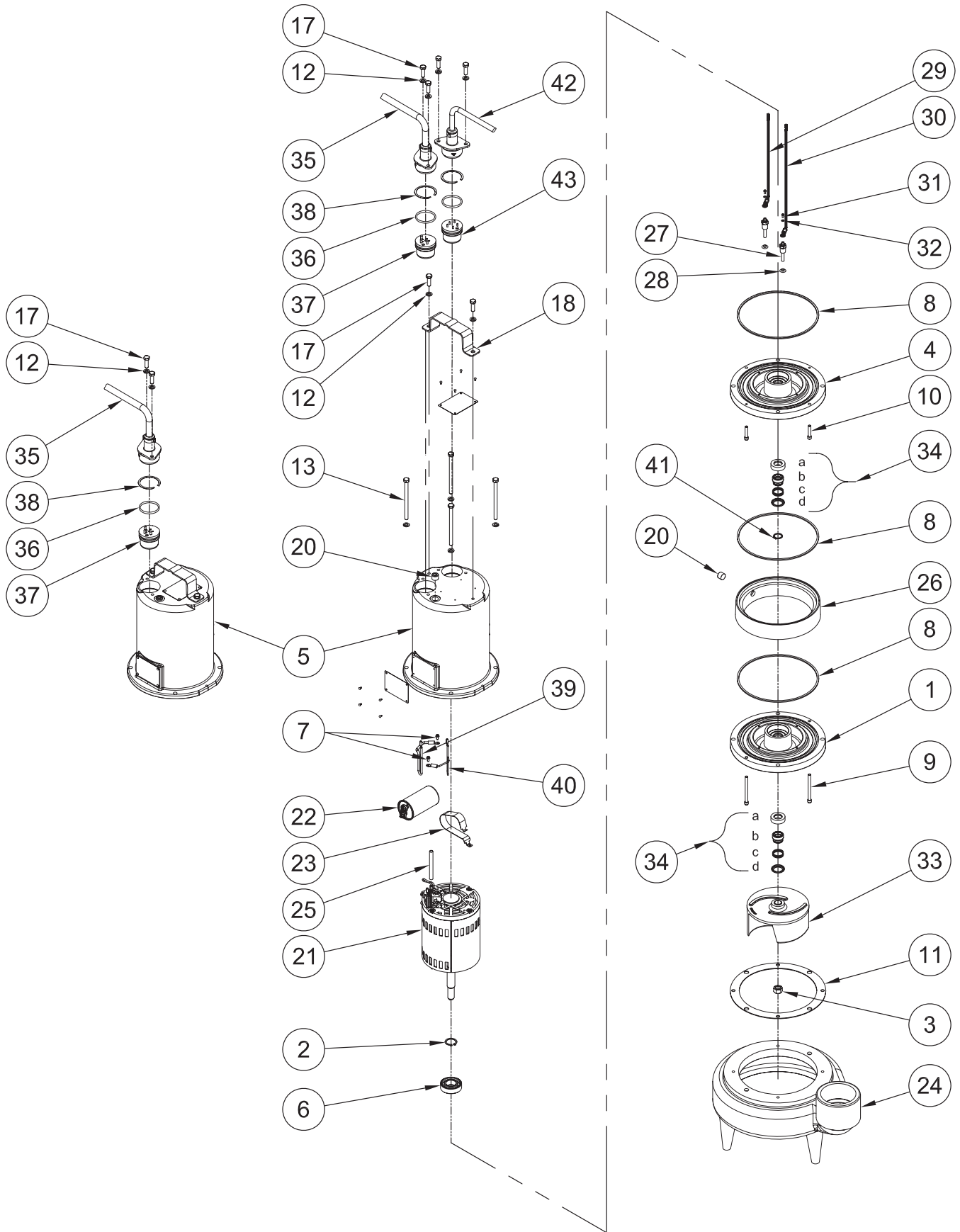


FIGURE 12



## PARTS KITS

**SEAL REPAIR KIT: 1.5 & 2.0HP..... P/N 130177**  
**SERVICE: 1.5 & 2.0HP ..... P/N 130173**  
**TOOLS: Seal Pusher..... P/N- TL-21360**  
**Bullet..... P/N- TL-21375**  
**PRESSURE GAUGE KIT ..... P/N 085343**

(+) 8, 34, 36

(◇) 2, 3, 6, 8, 11, 15, 16, 19, 25, 34, 36, 38, 39

### PARTS LIST - Standard

ITEM	QTY	PART NO.		DESCRIPTION	
1	1	084343		Plate,Seal,Ci	Lower
2	1	061143	◇	Ring,Retaining,Ext	
3	1	038132	◇	Nut,Hex,Jam	5/8-18 Stainless
4	1	084429		Plate,Seal,Ci	Upper
5	1	105196HA		Housing,Motor	STD
		105196		Housing,Motor	W/O Sensor Cable
6	1	039734	◇	Bearing,Ball	
7	2	016660		Screw,Self-Tap	#8-32 .375" LG, Stainless
8	3	027269	+◇	Ring,Square	
9	2	067519		Screw,SKHD	1/4-20,3.00" Stainless
10	2	084948		Screw,SKHD	1/4-20,1.25" Stainless
11	1	027344	◇	Gasket	
12	6	026322		Washer,Lock	5/16 Stainless
13	4	064114		Screw,HXHD	5/16-18,4.50" LG Stainless
14	113 Oz.	029034		Oil (includes 24 Oz in Seal Chamber)	
15	4	105150	◇	Connector	3SE1594, 3SE2094
	3	019212		Connector	3SE1544, 3SE2044
16	3	111951	◇	Terminal	3SE1544, 3SE2044
17	2	1-156-1		Screw,HXHD	5/16-18,1.00" Stainless
18	1	103503		Handle,Lifting	
19	3	105149A	◇	Wire Assemblies	3SE1594, 3SE2094
20	2	014270		Plug,Pipe	.375 NPT
21	1	084382MB		Motor Assy	3SE1524, 3SE2024
	1	084383MB		Motor Assy	3SE1594, 3SE2094
	1	084383MB		Motor Assy	3SE1544, 3SE2044
	1	092859		Motor Assy	3SE1554, 3SE2054
22	1	See Bom		Capacitor,Run,370V,45mfd	3SE1524, 3SE2024
23	1	See Bom		Bracket,Stl,Capacitor	3SE1524, 3SE2024
24	1	084399		Body,Pump,3" Disc	
25	2	625-02117	◇	Sleeving, Fiberglass	3SE1594, 3SE2094
	1	625-02117		Sleeving, Fiberglass	3SE1524, 3SE2024
	1	625-02117		Sleeving, Fiberglass	3SE1544, 3SE2044
	1	625-02117		Sleeving, Fiberglass	3SE1554, 3SE2054
26	1	084400		Ring,Spacer	
27	2	039383		Sensor, Moisture	
28	2	039934		Plug,Cap	
29	1	132762A		Wire Assy, Moist, 20"L,Red	
30	1	132762B		Wire Assy, Moist, 20"L,Orange	
31	2	5-32-6		Screw,BIhd	6-32,.25" Stainless
32	2	052563		Washer,Lock,#6	#6 Stainless
33	1	See Table 3		Impeller, Cast Iron	
34	2	067562	+◇	Seal,Mechanical	Carbon / Ceramic / Buna-N (STD)
	2	067562SB		Seal,Mechanical	Tungsten / Tungsten / Buna-N (Optional)
	2	067562SB		Seal,Mechanical	Silicon / Silicon / Buna-N (Optional)
35	1	See Table 2		Power Cable Assembly	
36	2	2-31051-224	+◇	O-Ring	
37	1	See Table 2		Terminal Block	Power Cable
38	2	105197	◇	Retainer Ring	
39	1	105111	◇	Wire Assy,Ground,Green	3SE1544, 3SE2044
	1	105111	◇	Wire Assy,Ground,Green	3SE1554, 3SE2054
	1	105111A	◇	Wire Assy,Ground,Green	3SE1524, 3SE2024
	1	105111B		Wire Assy,Ground,Green	3SE1594, 3SE2094
40	1	105111		Wire Assy,Ground,Green	
41	1	018370		Ring,Retaining,Ext	
42	1	See Table 2		Assy, Cable, Moisture/Temp Sensor	

TABLE 2 - POWER &amp; SENSOR CORD SETS

MODEL NO	30 FT. POWER	50 FT. POWER	100 FT. POWER	TERMINAL BLOCK POWER
3SE1524DS	109498XC	109498XF	109498XL	103760
3SE1594DS	109492XC	109492XF	109492XL	103586
3SE1544DS	103742XC	103742XF	103742XL	103583
3SE1554DS	103742XC	103742XF	103742XL	103583
3SE2024DS	103769XC	103769XF	103769XL	103760
3SE2094DS	109492XC	109492XF	109492XL	103586
3SE2044DS	103742XC	103742XF	103742XL	103583
3SE2054DS	103742XC	103742XF	103742XL	103583
MODEL NO	30 FT. TEMP. SENSOR	50 FT. TEMP. SENSOR	100 FT. TEMP. SENSOR	TERMINAL BLOCK TEMP. SENSOR
3SE1524DS	113288XC	113288XF	113288XL	113272
3SE1594DS	113288XC	113288XF	113288XL	113272
3SE1544DS	113288XC	113288XF	113288XL	113272
3SE1554DS	113288XC	113288XF	113288XL	113272
3SE2024DS	113288XC	113288XF	113288XL	113272
3SE2094DS	113288XC	113288XF	113288XL	113272
3SE2044DS	113288XC	113288XF	113288XL	113272
3SE2054DS	113288XC	113288XF	113288XL	113272

TABLE 3 - IMPELLER ITEM #29

DIAMETER	1.5 & 2HP
7.00"	084439
6.88"	084439TA
6.75"	084439TB
6.62"	084439TC
6.50" (STD 2.0 HP)	084439TD
6.38"	084439TE
6.25"	084439TF
6.12"	084439TG
6.00" (STD 1.5 HP)	084439TH
5.88"	084439TJ
5.75"	084439TK
5.62"	084439TL
5.50"	084439TM
5.38"	084439TN
5.25"	084439TP
5.12"	084439TQ
5.00"	084439TR
4.88"	084439TS
4.75"	084439TT
4.62"	084439TU
4.50"	084439TV

BARNES®



burks®

WEINMAN®

DEMING®

PROSSER®

## Limited 24 Month Warranty

Crane Pumps & Systems warrants that products of our manufacture will be free of defects in material and workmanship under normal use and service for twenty-four (24) months after manufacture date, when installed and maintained in accordance with our instructions. This warranty gives you specific legal rights, and there may also be other rights which vary from state to state. In the event the product is covered by the Federal Consumer Product Warranties Law (1) the duration of any implied warranties associated with the product by virtue of said law is limited to the same duration as stated herein, (2) this warranty is a LIMITED WARRANTY, and (3) no claims of any nature whatsoever shall be made against us, until the ultimate consumer, his successor, or assigns, notifies us in writing of the defect, and delivers the product and/or defective part(s) freight prepaid to our factory or nearest authorized service station. Some states do not allow limitations on how long an implied warranty lasts, so the above limitation may not apply. **THE SOLE AND EXCLUSIVE REMEDY FOR BREACH OF ANY AND ALL WARRANTIES WITH RESPECT TO ANY PRODUCT SHALL BE TO REPLACE OR REPAIR AT OUR ELECTION, F.O.B. POINT OF MANUFACTURE OR AUTHORIZED REPAIR STATION, SUCH PRODUCTS AND/OR PARTS AS PROVEN DEFECTIVE. THERE SHALL BE NO FURTHER LIABILITY, WHETHER BASED ON WARRANTY, NEGLIGENCE OR OTHERWISE.** Unless expressly stated otherwise, guarantees in the nature of performance specifications furnished in addition to the foregoing material and workmanship warranties on a product manufactured by us, if any, are subject to laboratory tests corrected for field performance. Any additional guarantees, in the nature of performance specifications must be in writing and such writing must be signed by our authorized representative. Due to inaccuracies in field testing if a conflict arises between the results of field testing conducted by or for user, and laboratory tests corrected for field performance, the latter shall control. **RECOMMENDATIONS FOR SPECIAL APPLICATIONS OR THOSE RESULTING FROM SYSTEMS ANALYSES AND EVALUATIONS WE CONDUCT WILL BE BASED ON OUR BEST AVAILABLE EXPERIENCE AND PUBLISHED INDUSTRY INFORMATION. SUCH RECOMMENDATIONS DO NOT CONSTITUTE A WARRANTY OF SATISFACTORY PERFORMANCE AND NO SUCH WARRANTY IS GIVEN.**

This warranty shall not apply when damage is caused by (a) improper installation, (b) improper voltage (c) lightning (d) excessive sand or other abrasive material (e) scale or corrosion build-up due to excessive chemical content. Any modification of the original equipment will also void the warranty. We will not be responsible for loss, damage or labor cost due to interruption of service caused by defective parts. Neither will we accept charges incurred by others without our prior written approval.

This warranty is void if our inspection reveals the product was used in a manner inconsistent with normal industry practice and/or our specific recommendations. The purchaser is responsible for communication of all necessary information regarding the application and use of the product. **UNDER NO CIRCUMSTANCES WILL WE BE RESPONSIBLE FOR ANY OTHER DIRECT OR CONSEQUENTIAL DAMAGES, INCLUDING BUT NOT LIMITED TO TRAVEL EXPENSES, RENTED EQUIPMENT, OUTSIDE CONTRACTOR FEES, UNAUTHORIZED REPAIR SHOP EXPENSES, LOST PROFITS, LOST INCOME, LABOR CHARGES, DELAYS IN PRODUCTION, IDLE PRODUCTION, WHICH DAMAGES ARE CAUSED BY ANY DEFECTS IN MATERIAL AND/OR WORKMANSHIP AND/OR DAMAGE OR DELAYS IN SHIPMENT. THIS WARRANTY IS EXPRESSLY IN LIEU OF ANY OTHER EXPRESS OR IMPLIED WARRANTY, INCLUDING ANY WARRANTY OF MERCHANTABILITY OR FITNESS FOR A PARTICULAR PURPOSE.**

No rights extended under this warranty shall be assigned to any other person, whether by operation of law or otherwise, without our prior written approval.

**CRANE**®

PUMPS & SYSTEMS

A Crane Co. Company

420 Third Street  
Piqua, Ohio 45356  
(937) 778-8947  
Fax (937) 773-7157  
[www.cranepumps.com](http://www.cranepumps.com)

83 West Drive  
Brampton, Ont. Canada L6T 2J6  
(905) 457-6223  
Fax (905) 457-2650

**IMPORTANT!  
WARRANTY REGISTRATION**

Your product is covered by the enclosed Warranty.  
To complete the Warranty Registration Form go to:

<http://www.cranepumps.com/ProductRegistration/>

If you have a claim under the provision of the warranty, contact your local  
Crane Pumps & Systems, Inc. Distributor.

**RETURNED GOODS**

**RETURN OF MERCHANDISE REQUIRES A "RETURNED GOODS AUTHORIZATION".  
CONTACT YOUR LOCAL CRANE PUMPS & SYSTEMS, INC. DISTRIBUTOR.**



**Products Returned Must Be Cleaned, Sanitized,  
Or Decontaminated As Necessary Prior To Shipment,  
To Insure That Employees Will Not Be Exposed To Health  
Hazards In Handling Said Material. All Applicable Laws  
And Regulations Shall Apply.**